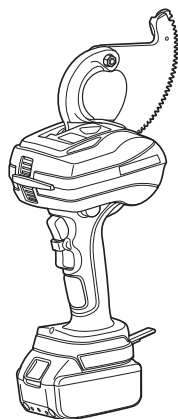
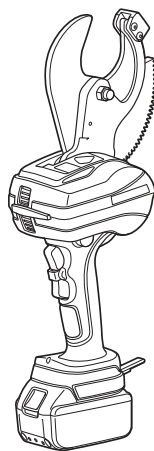


EN	Cordless Cable Cutter	INSTRUCTION MANUAL	2
FR	Coupe câble sans fil	MODE D'EMPLOI	18
DE	Akku-Kabelschneider	BETRIEBSANLEITUNG	34
IT	Tagliacavi a cricchetto a batteria	ISTRUZIONI PER L'USO	51
NL	Snoerloze kabelschaar	GEBRUIKSAANWIJZING	68
ES	Cortadora de Cable Inalámbrica	MANUAL DE INSTRUCCIONES	84
PT	Cortador de Cabo a Bateria	MANUAL DE INSTRUÇÕES	100
DA	Batteridreven kabelsaks	INSTRUKTIONSVEJLEDNING	116
EL	Φορητός κόπτης καλωδίων	ΕΓΧΕΙΡΙΔΙΟ ΟΔΗΓΙΩΝ	132
TR	Akülü Kablo Kesici	KULLANIM KILAVUZU	149
SV	Batteridrivnen kabelklippare	Bruksanvisning	165
NO	Batteridrevet kabelkutter	INSTRUKSJONSHÅNDBOK	181
FI	Akkukaapelileikkuri	KÄYTTÖOPAS	197
LV	Akumulatora kabeļu knaibles	LIETOŠANAS INSTRUKCIJA	213
LT	Akumuliatorinės kabelio kirpimo žirklys	NAUDOTOJO VADOVAS	229
ET	Aku kaablilõikur	KASUTUSJUHEND	245
ZHTW	充電式電纜剪	使用手冊	261


DTC100

DTC101


Read before use.

À lire avant utilisation.

Vor Gebrauch lesen.

Leggere prima dell'uso.

Lezen voor gebruik.

Leer antes de usar.

Ler antes de utilizar.

Læs inden brug.

Διαβάστε πριν από τη χρήση.

Kullanmadan önce okuyun.

Läs före användning.

Må leses før bruk.

Lue ennen käyttöä.

Izlasīt pirms lietošanas.

Prieš naudodami

perskaitykite.

Lugege enne

kasutamist.

使用前請詳讀。

⚠WARNING: Please read and understand all of the instructions and safety information in this operator's guide and instructions. Use for unintended applications may lead to serious injury or death.

- Thank you for purchasing our cordless cable cutter.
- Please read this instruction manual thoroughly and carefully before attempting to use the equipment. After reading this instruction manual, store it in an easily accessible location.
- **Description**
The mechanical cutters are battery-operated cutters designed to cut cables used in the industry today.

Safety precautions

⚠WARNING: Read all safety warnings and all instructions. Failure to follow the warnings and instructions may result in electric shock, fire and/or serious injury.

Save all warnings and instructions for future reference.

⚠WARNING: The user may be killed or seriously injured if this product is misused.

1) Work area safety

- a) Keep work area clean and well lit. Cluttered or dark areas invite accidents.
- b) Do not operate power tools in explosive atmospheres, such as in the presence of flammable liquids, gases or dust. Power tools create sparks which may ignite the dust or fumes.
- c) Keep children and bystanders away while operating a power tool. Distractions can cause you to lose control.

2) Electrical safety

- a) Power tool plugs must match the outlet. Never modify the plug in any way. Do not use any adapter plugs with earthed (grounded) power tools. Unmodified plugs and matching outlets will reduce risk of electric shock.
- b) Avoid body contact with earthed or grounded surfaces, such as pipes, radiators, ranges and refrigerators. There is an increased risk of electric shock if your body is earthed or grounded.
- c) Do not expose power tools to rain or wet conditions. Water entering a power tool will increase the risk of electric shock.
- d) Do not abuse the cord. Never use the cord for carrying, pulling or unplugging the power tool. Keep cord away from heat, oil, sharp edges or moving parts. Damaged or entangled cords increase the risk of electric shock.

- e) When operating a power tool outdoors, use an extension cord suitable for outdoor use. Use of a cord suitable for outdoor use reduces the risk of electric shock.
- f) If operating a power tool in a damp location is unavoidable, use a residual current device (RCD) protected supply. Use of an RCD reduces the risk of electric shock.

3) Personal safety

- a) Stay alert, watch what you are doing and use common sense when operating a power tool.
Do not use a power tool while you are tired or under the influence of drugs, alcohol or medication. A moment of inattention while operating power tools may result in serious personal injury.
- b) Use personal protective equipment. Always wear eye protection. Protective equipment such as dust mask, non-skid safety shoes, hard hat, or hearing protection used for appropriate conditions will reduce personal injuries.
- c) Prevent unintentional starting. Ensure the switch is in the off-position before connecting to power source and/or battery pack, picking up or carrying the tool. Carrying power tools with your finger on the switch or energising power tools that have the switch on invites accidents.
- d) Remove any adjusting key or wrench before turning the power tool on. A wrench or a key left attached to a rotating part of the power tool may result in personal injury.
- e) Do not overreach. Keep proper footing and balance at all times. This enables better control of the power tool in unexpected situations.
- f) Dress properly. Do not wear loose clothing or jewellery. Keep your hair, clothing and gloves away from moving parts. Loose clothes, jewellery or long hair can be caught in moving parts.
- g) If devices are provided for the connection of dust extraction and collection facilities, ensure these are connected and properly used. Use of dust collection can reduce dust-related hazards.

- h) Do not let familiarity gained from frequent use of tools allow you to become complacent and ignore tool safety principles. A careless action can cause severe injury within a fraction of a second.

4) Power tool use and care

- a) Do not force the power tool. Use the correct power tool for your application. The correct power tool will do the job better and safer at the rate for which it was designed.
- b) Do not use the power tool if the switch does not turn it on and off. Any power tool that cannot be controlled with the switch is dangerous and must be repaired.
- c) Disconnect the plug from the power source and/ or the battery pack from the power tool before making any adjustments, changing accessories, or storing power tools. Such preventive safety measures reduce the risk of starting the power tool accidentally.
- d) Store idle power tools out of the reach of children and do not allow persons unfamiliar with the power tool or these instructions to operate the power tool. Power tools are dangerous in the hands of untrained users.
- e) Maintain power tools and accessories. Check for misalignment or binding of moving parts, breakage of parts and any other condition that may affect the power tool's operation. If damaged, have the power tool repaired before use. Many accidents are caused by poorly maintained power tools.
- f) Keep cutting tools sharp and clean. Properly maintained cutting tools with sharp cutting edges are less likely to bind and are easier to control.
- g) Use the power tool, accessories and tool bits etc. in accordance with these instructions, taking into account the working conditions and the working conditions and the work to be performed.
Use of the power tool for operations different from those intended could result in a hazardous situations.
- h) Keep handles and grasping surfaces dry, clean and free from oil and grease. Slippery handles and grasping surfaces do not allow for safe handling and control of the tool in unexpected situations.

5) Battery tool use and care

- a) Recharge only with the charger specified by the manufacturer. A charger that is suitable for one type of battery pack may create a risk of fire when used with another battery pack.
- b) Use power tools only with specifically designated battery packs. Use of any other battery packs may create a risk of injury and fire.
- c) When battery pack is not in use, keep it away from other metal objects, like paper clips, coins, keys, nails, screws or other small metal objects, that can make a connection from one terminal to another. Shorting the battery terminals together may cause burns or a fire.
- d) Under abusive conditions, liquid may be ejected from the battery; avoid contact. If contact accidentally occurs, flush with water. If liquid contacts eyes, additionally seek medical help.

Liquid ejected from the battery may cause irritation or burns.

- e) Do not use a battery pack or tool that is damaged or modified. Damaged or modified batteries may exhibit unpredictable behaviour resulting in fire, explosion or risk of injury.
- f) Do not expose a battery pack or tool to fire or excessive temperature. Exposure to fire or temperature above 130°C may cause explosion.
- g) Follow all charging instructions and do not charge the battery pack or tool outside the temperature range specified in the instructions. Charging improperly or at temperatures outside the specified range may damage the battery and increase the risk of fire.

6) Service

- a) Have your power tool serviced by a qualified repair person using only identical replacement parts. This will ensure that the safety of the power tool is maintained.
- b) Never service damaged battery packs. Service of battery packs should only be performed by the manufacturer or authorized service providers.

Hold the power tool by insulated gripping surfaces, when performing an operation where the fastener may contact hidden wiring. Fasteners contacting a "live" wire may make exposed metal parts of the power tool "live" and could give the operator an electric shock.

Use genuine Makita battery charger and battery pack.

- Use genuine battery pack for this tool.
- Do not charge the battery pack with another battery charger. Failure to observe this may cause a rupture, which may lead to an accident or injury.

Charge the battery pack in a correct way.

- Use a power source with rating indication to connect the battery charger supplied with this product.
- Do not use a DC power source or an engine-driven power generator to charge the battery pack. Failure to observe this may generate excessive heat, which may lead to a fire.
- When the temperature of the ambience, battery pack, or battery charger is less than 0°C or more than 40°C, do not charge the battery pack. Failure to observe this may cause a rupture or a fire.
- When charging the battery pack, select a well-ventilated place for charging.
- Do not cover the battery pack with a cloth during charging. Failure to observe this may cause a rupture or a fire.
- Be sure to disconnect the power plug after charging. Failure to observe this may cause an electric shock or a fire.

Do not point the cutter toward people during use.

- Failure to observe this may lead injury.

Do not short-circuit the terminals on the battery pack.

- When the battery pack is stored alone, be sure to put the terminal cover on the terminal to prevent short circuit. Ensure that the battery terminals will not be shorted by other metal parts such as screws, nails, etc.

Do not subject the battery pack to flames.

- Failure to observe this may cause rupture or leakage of a hazardous material.

Do not use on parts with live electricity.

- The tool is not insulated. Use on electrified locations may lead to electric shock.
- Do not touch the power plug or battery pack with wet hands. Failure to observe this may lead to electric shock.

Remove the battery pack from the body of the tool in the following circumstances.

- When not using or for repair
 - When replacing spare parts
 - Other times when danger is suspected
- Failure to observe these warnings may cause the tool to turn on accidentally and cause injury.

Starting up the tool unexpectedly.

- Ensure that fingers are well away from the trigger when moving the tool. The unexpected start-up of the tool may result in injury.

Use only specified accessories.

- Do not use any accessories other than those indicated in this instruction manual or our catalogue. Failure to observe this may lead to an accident or injury.

Use protective equipment.

- Use safety glasses during operation. If operation is dusty, use a protective mask. When cutting, small pieces may scatter and cause injury.

Do not stare at LED work light.

- It may deteriorate eyesight.

Consider the work environment.

- Do not use the tool, battery charger, or battery pack in the rain, or in a wet or moist place. Failure to observe this may cause an electric shock or smoke.
- Conduct work in a sufficiently bright place. Work in a dark place may cause an accident.
- Do not use or charge the battery in the presence of flammable liquid or gas. Failure to observe this may cause an explosion or a fire.

Keep the workplace always clean.

- Messy places and benches may cause an accident.

Keep children away from the tool.

- Do not let people other than the operators touch the tool and the cord of the battery charger. Keep people away from the workplace. Failure to observe this may cause injury.

When the tool is not used, store it properly.

- Store the tool in a place where humidity is low and also a high place that children cannot reach or a place that can be locked. Failure to observe this may cause an accident.
- Do not store the tool or battery pack in a place where the temperature can rise 40°C or higher (inside a metal box, inside a car in summer, etc.). Failure to observe this may deteriorate the battery pack, which may lead to smoke or ignition.

Do not use the tool in an unreasonable manner.

- Conduct operation in accordance with the capacity of the tool for safe and efficient operation. Use of the tool beyond its capacity may cause an accident.
- Do not use the tool in an unreasonable manner that causes the motor to be locked. Failure to observe this may cause smoke or ignition.

Use a tool suitable for operation.

- Do not use the tool for other than the specified applications. Failure to observe this may cause injury.

Conduct operation with proper clothes.

- Do not wear loose clothes or accessories such as a necklace. Such things may become caught in a moving part, rotating part, or the like.
- When operation is conducted outdoors, use of rubber gloves and non-slip shoes is recommended. Slippery gloves and shoes may cause injury.
- If you have long hair, use a cap or a hair cover to cover your hair. Failure to observe this may cause your hair to become caught in a moving part, rotating part, or the like.

Do not operate the tool with an unnatural posture.

- Keep proper footing all the time, and keep your balance. Failure to observe this may cause you to topple over, which may lead to injury.

Stay alert when you are working with great attention.

- When you use the tool, be careful about the handling method, manner of operation, and surrounding circumstances, and conduct your operation carefully. Failure to observe this may cause an accident or injury.
- Do not operate the tool under the influence of alcohol. Failure to observe this may cause an accident or injury.
- Do not operate the tool when you are in poor physical condition. Failure to observe this may cause an accident or injury.

Do not handle the cord of the battery charger in a rough manner.

- Do not carry the charger by the cord or yank it to disconnect from the socket.
- Keep the cord away from heat, oil, and sharp edges.
- Make sure the charging environment is free from stepping on or tripping over the cord. Failure to observe this may cause an electric shock or a short circuit, which may lead to ignition.

Use an extension cord with outdoor specifications.

- If you use the tool outdoors, use an extension cord made of tough rubber-sheathed cable.

Conduct maintenance of the tool carefully.

- Follow the instruction manual when replacing spare parts. Failure to observe this may cause injury.
- Inspect the cord of the battery charger on a regular basis. If the cord is damaged, ask the authorized service facility for repair. Failure to observe this may cause an electric shock or a short circuit, which may lead to ignition.
- If an extension cord is used, inspect the cord on a regular basis. If the cord is damaged, replace it with a new one. Failure to observe this may cause an electric shock or a short circuit, which may lead to ignition.
- Keep the grip always dry and clean and keep it away from oil and grease. Failure to observe this may cause injury.

Check damaged parts.

- Check that nothing is damaged before use. Confirm that the tool operates normally and all components function properly.
- Check for alignment of moving parts, smooth running of moving parts, breakage of parts, mounting and any other condition that may affect its operation.
- Do not use the battery charger whose power plug or cord is damaged or that was dropped and then damaged. Failure to observe this may cause an electric shock or a short circuit, which may lead to ignition. If damaged, it should be properly repaired or replaced by an authorized service facility unless otherwise indicated in this instruction manual. Have defective switches replaced by an authorized service facility. Do not use the tool if the switch does not turn it on and off. Such tool may operate abnormally, which may lead to injury.

Ask the authorized service facility for repair.

- Do not disassemble, repair, or modify the main unit, battery charger, or battery pack. Failure to observe this may cause ignition or abnormal operation, which may lead to injury.
- If the tool becomes hot or an abnormality is found in the tool, request inspection or repair of the tool.
- This tool is constructed in accordance with the relevant safety requirements. Do not attempt to modify this product.
- Have your tool repaired by an authorized service center. Repairs should only be carried out by a qualified person using original spare parts; otherwise, this may result in considerable danger to the user.

Precautions in using the cordless cable cutter

- When using this tool, follow the instructions as shown below:

Precautions for the tool

- **Never cut anything beyond maximum cutting capacity.**

Exercise caution, as failure to observe this may lead to damage. (see page 17)

- **Do not touch the cutting edge of the movable or fixed blades.**

Failure to observe this may lead to injury.

- **Never cut live wires (electric cables that are conducting electricity).**

- **Do not subject to drops or other excessive impact.**
The internal structure has been precisely manufactured to make it compact and lightweight, so it may not function properly if subjected to impact.

- **Do not use in the rain.**

Doing so may cause the blade to rust and dull the cutting edge or lead to damage.

- **Do not cut excess lengths of 50 mm or less.**

Cutting excess lengths of the ends of CCP and other cables extremely short may cause the insides of the cable, etc. to be cut.

- **Do not apply force against the direction being cut.**

Always cut materials straight on. Failure to observe this may damage the cutter blade.

- **Hold securely.**

Failure to observe this may lead to injury.

- **Make sure no one is below you before using in a high location.**

Failure to observe this may result in an accident should materials or the device be dropped, etc.

- **Check to ensure nothing is abnormal before use.**

Cracks or fractures on the cutter may damage the cutter and lead to injury.

- **Take breaks during use.**

Prolonged cutting without breaks maintains a heightened motor heat that may overheat the motor and battery pack, leading to damage. Make sure to take occasional breaks during use.

- **Low ambient temperatures (10°C or less) may cause the electric cable to harden, making it difficult to cut, even when within the cutting capacity.**

- **Clean with air, etc. after every use.**

Be careful to keep cuttings and other scraps from getting into the unit from the opening (movable blade driver).

- **Do not cut electric cables with 1-mm-diameter wire.**

Failure to observe this may lead to the cutter blade getting caught in the electric cable blade and locking up.

Precautions in using battery pack

- Never short-circuit the terminals.
- Keep the battery pack away from water, oil, and organic solvents.
- Do not disassemble or modify the battery pack.
- If the battery pack is disposed of, do not subject it to flames or dispose of it as general waste. (We promote recycling.)
- Do not throw or drop the battery pack.
- Do not leave the battery pack in a place where the temperature is 40°C or higher for a long time.
- Do not short-circuit the battery by placing dirt or dust on the terminal, as this will lead to malfunction. If the terminal is corroded, do not use the battery pack.
- A protective function that stops the output is equipped to prolong the life of the battery pack. The motor may stop when the remaining battery level is low even while the operation switch is pressed during the use of this tool. However, this phenomenon is caused not by malfunction but by the protective function. In such a case, immediately charge the battery.

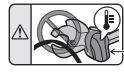
Precautions for the battery charger

- This battery charger has an indicator lamp (multicoloured LED) to show the battery charging state.
- Do not short-circuit the charger by placing dirt or dust into the insertion slot, as this will lead to malfunction. If the metal terminal is corroded, do not use the battery charger.

WARNING SYMBOLS



Before using the tool, carefully read the instructions in this manual.



High-heat warning area

To protect the motor, do not use if the high-heat warning area becomes hot. (see page 15)



Do not touch during operation.

Symbols



Only for EU countries
Due to the presence of hazardous components in the equipment, waste electrical and electronic equipment, accumulators and batteries may have a negative impact on the environment and human health.

Do not dispose of electrical and electronic appliances or batteries with household waste!

In accordance with the European Directive on waste electrical and electronic equipment and on accumulators and batteries and waste accumulators and batteries, as well as their adaptation to national law, waste electrical equipment, batteries and accumulators should be stored separately and delivered to a separate collection point for municipal waste, operating in accordance with the regulations on environmental protection.

This is indicated by the symbol of the crossed-out wheeled bin placed on the equipment.

Noise

The typical A-weighted noise level determined according to EN62841-1:

Sound Pressure level (K=3 dB(A)): 69.5 dB(A)

Sound Power level (K=3 dB(A)): 78.1 dB(A)

NOTE: The declared noise emission value(s) has been measured in accordance with a standard test method and may be used for comparing one tool with another.

NOTE: The declared noise emission value(s) may also be used in a preliminary assessment of exposure.

⚠WARNING: Wear ear protection.

⚠WARNING: The noise emission during actual use of the power tool can differ from the declared value(s) depending on the ways in which the tool is used especially what kind of workpiece is processed.

⚠WARNING: Be sure to identify safety measures to protect the operator that are based on an estimation of exposure in the actual conditions of use (taking account of all parts of the operating cycle such as the times when the tool is switched off and when it is running idle in addition to the trigger time).

Vibration

The vibration total value (tri-axial vector sum) determined according to EN62841-1:

Handle: 0.3 m/s²

Uncertainty (K): 1.5 m/s²

NOTE: The declared vibration total value(s) has been measured in accordance with a standard test method and may be used for comparing one tool with another.

NOTE: The declared vibration total value(s) may also be used in a preliminary assessment of exposure.

⚠WARNING: The vibration emission during actual use of the power tool can differ from the declared value(s) depending on the ways in which the tool is used especially what kind of workpiece is processed.

⚠WARNING: Be sure to identify safety measures to protect the operator that are based on an estimation of exposure in the actual conditions of use (taking account of all parts of the operating cycle such as the times when the tool is switched off and when it is running idle in addition to the trigger time).

Applicable battery cartridge and charger

Battery cartridge	BL1815N / BL1820B / BL1830B / BL1840B / BL1850B / BL1860B
Charger	DC18RC / DC18RD / DC18RE / DC18SD / DC18SE / DC18SF / DC18SH / DC18WC

- Some of the battery cartridges and chargers listed above may not be available depending on your region of residence.
- To charge the battery, please read the instruction manual for the battery charger.

⚠WARNING: Only use the battery cartridges and chargers listed above. Use of any other battery cartridges and chargers may cause injury and/or fire.

Important safety instructions for battery cartridge

1. **Before using battery cartridge, read all instructions and cautionary markings on (1) battery charger, (2) battery, and (3) product using battery.**
2. **Do not disassemble or tamper with the battery cartridge.** It may result in a fire, excessive heat, or explosion.
3. **If operating time has become excessively shorter, stop operating immediately.** It may result in a risk of overheating, possible burns and even an explosion.
4. **If electrolyte gets into your eyes, rinse them out with clear water and seek medical attention right away.** It may result in loss of your eyesight.
5. **Do not short the battery cartridge:**
 - (1) **Do not touch the terminals with any conductive material.**
 - (2) **Avoid storing battery cartridge in a container with other metal objects such as nails, coins, etc.**
 - (3) **Do not expose battery cartridge to water or rain.**

A battery short can cause a large current flow, overheating, possible burns and even a breakdown.
6. **Do not store and use the tool and battery cartridge in locations where the temperature may reach or exceed 50°C (122°F).**
7. **Do not incinerate the battery cartridge even if it is severely damaged or is completely worn out.** The battery cartridge can explode in a fire.
8. **Do not nail, cut, crush, throw, drop the battery cartridge, or hit against a hard object to the battery cartridge.** Such conduct may result in a fire, excessive heat, or explosion.
9. **Do not use a damaged battery.**
10. **The contained lithium-ion batteries are subject to the Dangerous Goods Legislation requirements.**

For commercial transports e.g. by third parties, forwarding agents, special requirement on packaging and labeling must be observed.

For preparation of the item being shipped, consulting an expert for hazardous material is required. Please also observe possibly more detailed national regulations.

Tape or mask off open contacts and pack up the battery in such a manner that it cannot move around in the packaging.

11. **When disposing the battery cartridge, remove it from the tool and dispose of it in a safe place.** Follow your local regulations relating to disposal of battery.
12. **Use the batteries only with the products specified by Makita.** Installing the batteries to non-compliant products may result in a fire, excessive heat, explosion, or leak of electrolyte.
13. **If the tool is not used for a long period of time, the battery must be removed from the tool.**
14. **During and after use, the battery cartridge may take on heat which can cause burns or low temperature burns.** Pay attention to the handling of hot battery cartridges.
15. **Do not touch the terminal of the tool immediately after use as it may get hot enough to cause burns.**
16. **Do not allow chips, dust, or soil stuck into the terminals, holes, and grooves of the battery cartridge.** It may cause heating, catching fire, burst and malfunction of the tool or battery cartridge, resulting in burns or personal injury.
17. **Unless the tool supports the use near high-voltage electrical power lines, do not use the battery cartridge near high-voltage electrical power lines.** It may result in a malfunction or breakdown of the tool or battery cartridge.
18. **Keep the battery away from children.**

SAVE THESE INSTRUCTIONS.

⚠CAUTION:

- **Only use genuine Makita batteries.**

Use of non-genuine Makita batteries, or batteries that have been altered, may result in the battery bursting causing fires, personal injury and damage. It will also void the Makita warranty for the Makita tool and charger.

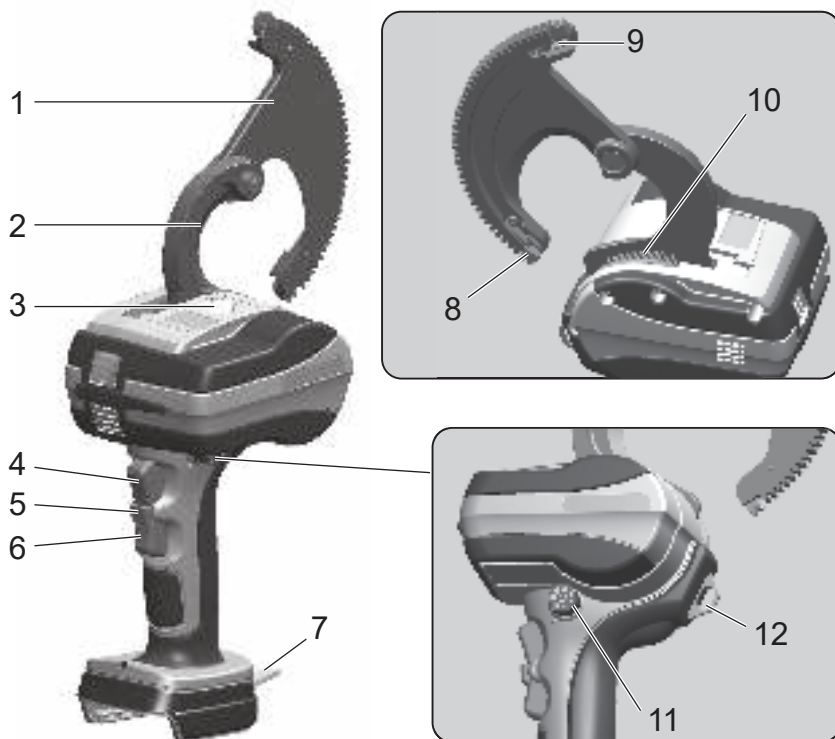
Tips for maintaining maximum battery life

1. **Charge the battery cartridge before completely discharged. Always stop tool operation and charge the battery cartridge when you notice less tool power.**
2. **Never recharge a fully charged battery cartridge. Overcharging shortens the battery service life.**
3. **Charge the battery cartridge with room temperature at 10°C - 40°C (50°F - 104°F). Let a hot battery cartridge cool down before charging it.**
4. **When not using the battery cartridge, remove it from the tool or the charger.**
5. **Charge the battery cartridge if you do not use it for a long period (more than six months).**

Names and accessories

DTC100

Cordless cable cutter



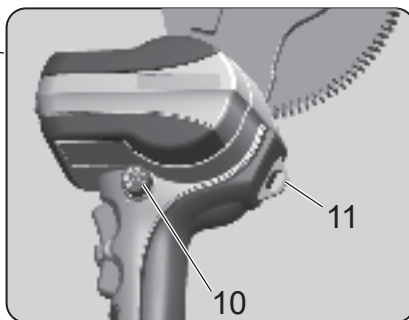
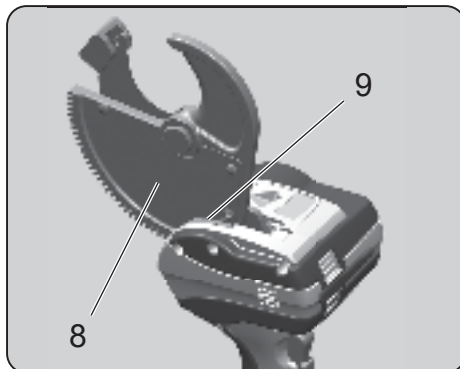
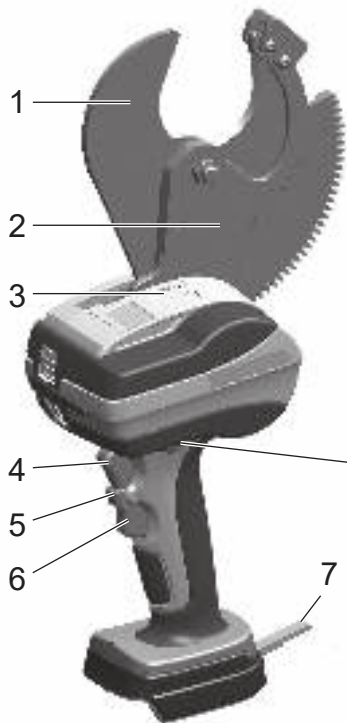
Carrying case



* This tool is designed for the Makita 18V lithium ion battery.

1	Moving blade	7	Hanging strap
2	Stationary blade	8	Gear guide (A)
3	LED work light	9	Gear guide (B)
4	Forward-mode switch	10	Brush (for dusting)
5	Switch lock	11	Dial knob
6	Reverse-mode switch	12	Hanging ring

Cordless cable cutter



Carrying case



* This tool is designed for the Makita 18V lithium ion battery.

1	Moving blade	7	Hanging strap
2	Stationary blade	8	Movable blade plate
3	LED work light	9	Brush (for dusting)
4	Forward-mode switch	10	Dial knob
5	Switch lock	11	Hanging ring
6	Reverse-mode switch	—	—

Battery

Battery

- At the time of purchase, the battery protection function may be activated due to the battery not being sufficiently charged. (Please be careful because this product may start operating if you operate the switch.) Correctly charge the battery with the rapid charger before use.
- Attach the battery cover when not using the product. It will help protect the battery from water and dust.
- When not using the product for a long period, store it with the battery removed.

To increase the life of the battery

- When you sense that the force of the tool has become weak, stop use and charge the battery.
- Do not recharge a battery that is fully charged.
- Charge the battery in an ambient temperature range of 10°C to 40°C.
- When the battery has become hot such as immediately after use, we recommend inserting it into the charger to cool and charge it.
- When a lithium-ion battery will not be used for a long period of time (at least 6 months), we recommend charging and then storing it.

Battery collection

- Used batteries are collected for recycling. Please take the battery to the store where you purchased the product or a Makita sales office.



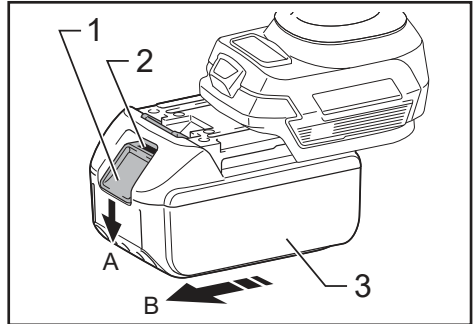
Recycle the lithium-ion battery

How to attach and detach the battery

⚠WARNING:

Insert the battery into the product properly. If the red part at the top of the button is visible, the battery is not fully locked into place. Firmly insert the battery until all of the red part cannot be seen.

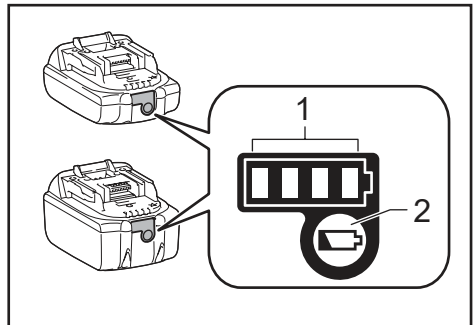
- If the battery is not inserted sufficiently, it may detach and cause an accident.
- To detach the battery from this product, A. hold down the button on the battery front and B. slide the battery to remove it.
- When attaching the battery, align the battery with the grooves in the product and then insert it all the way by performing the procedure in reverse. If the red part at the top of the button is visible at this time, the battery is not fully locked into place. Insert the battery properly all the way until all of the red part cannot be seen.



▶ 1. Button 2. Red part 3. Battery

Indicating the remaining battery capacity

Only for battery cartridges with an indicator



▶ 1. Indicator lamps 2. Check button

Press the check button on the battery cartridge to indicate the remaining battery capacity. The indicator lamps light up for a few seconds.

Indicator lamps			Remaining capacity
Lighted	Off	Blinking	
■ ■ ■ ■			75% to 100%
■ ■ ■ □			50% to 75%
■ ■ □ □			25% to 50%
■ □ □ □			0% to 25%
▬ □ □ □			Charge the battery.
■ ■ □ □			The battery may have malfunctioned.
□ □ ■ ■	↑ ↓		

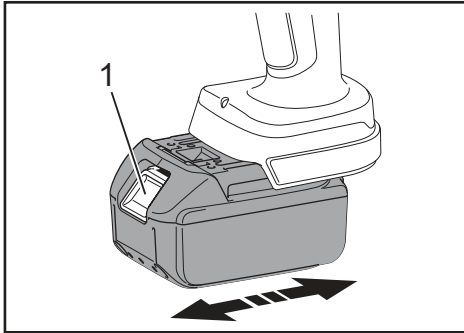
NOTE: Depending on the conditions of use and the ambient temperature, the indication may differ slightly from the actual capacity.

NOTE: The first (far left) indicator lamp will blink when the battery protection system works.

How to use the tool

Attaching the battery pack

1. While pressing the latch, pull out the battery pack. To replace the battery pack, push the new pack firmly into place.
2. After sliding a battery pack on, check if it is securely in place by pulling it gently. Do not press the latch when pulling the battery.

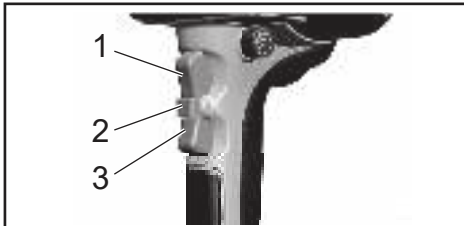


- 1. Latch

Switch operations

For safety purposes, the tool has a two-action switch system.

To activate the forward-mode (cutting) and reverse-mode (reverse) switch, first press the switch lock and then press the forward/reverse-mode switch.



- 1. Forward-mode switch 2. Switch lock
3. Reverse-mode switch

Work assistance LED lamp

This tool has an LED lamp that illuminates the periphery of the cutter blade. It illuminates when either the forward or reverse switch is on, then turns off approximately 10 seconds after the switch is released.

CAUTION:

- Do not look directly into the LED lamp. Looking at the LED lamp for an extended period of time may hurt your eyes.

Low battery alarm

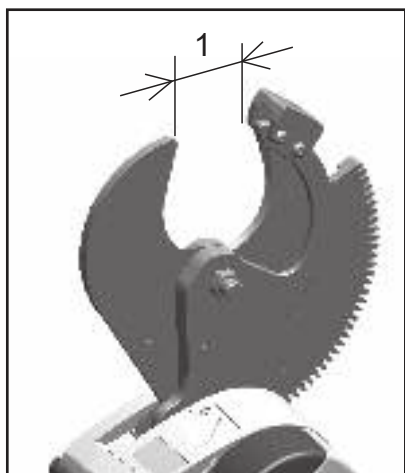
If the remaining capacity of the battery is low, the LED light blinks 5 times as an alarm when the forward-mode switch is turned on. Charge the battery or replace with a spare.

Cutting operations

1. [DTC100]
Activate the switch to open the moving blade. Use the forward- and reverse-mode switches to set the moving blade to neutral.



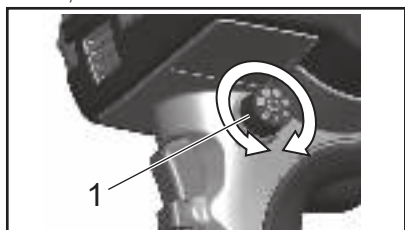
1. [DTC101]
Making sure the opening is sufficient. Make sure the opening is large enough to set a cable. If the opening is too narrow, press the reverse-mode switch to open it.



► 1. Opening

- Using the dial knob to enable or disable auto reverse

Move the dial to the desired position to enable auto reverse, or move it to off to disable.

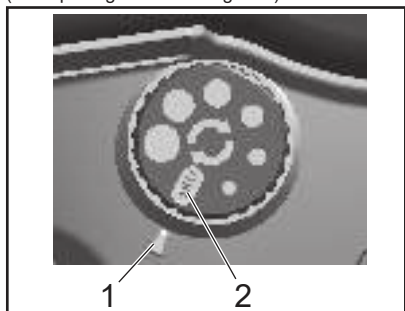


► 1. Dial knob

The auto reverse function

When auto reverse is enabled, the motor brakes after cutting a cable. Once the forward-mode switch is released, the moving blade automatically returns as set by the dial knob.

The opening can be adjusted between 6 levels. (The opening amount is a guide.)



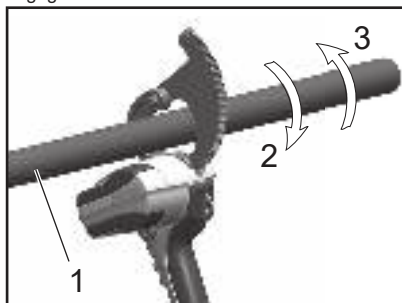
► 1. Opening amount 2. Off

⚠ CAUTION:

- Auto reverse does not activate if the forward-mode switch is released before complete cutting.
- Auto reverse does not activate with fine electric cable of 60 mm² or less.
- The opening diameter may differ depending on the remaining battery voltage.

- [DTC100]
Inserting electric cable into the moving blade opening

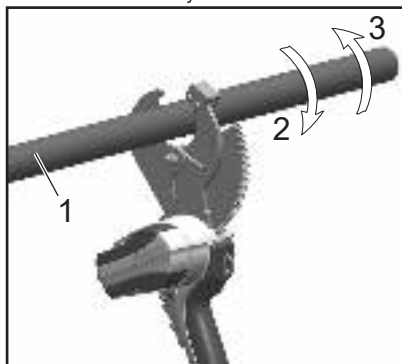
Place the cable to be cut onto the stationary blade, and close the moving blade around the cable. Feed the moving blade by hand so that the gear teeth engage the drive mechanism of the unit.



► 1. Cable 2. Cutting rotation
3. Reverse rotation

- [DTC101]
Inserting electric cable into the moving blade opening

Place the cable to be cut into the blade opening and onto the stationary blade side.



► 1. Cable 2. Cutting rotation
3. Reverse rotation

- Operating the forward-mode switch and cutting electric cable

Hold down the forward-mode switch until cutting is complete.

- Removing debris after cutting.
After you are finished cutting, remove any scraps or debris on the blade.

⚠CAUTION:

• **Prolonged operation**

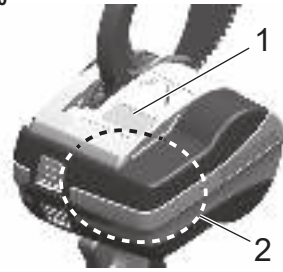
To protect the motor, stop using the tool when the area around the caution label becomes hot. To continue using the tool, place the tool for 50 minutes in a cool and well-ventilated place until it cools off.

- **The overcurrent/overloading protection may also be activated even when operating the tool within the cutting capacity.**

The operating temperature, cable length, and bend and other factors affect the performance of the tool.

- **If the LED light blinks 6 times or more, it is a circuit board error display. Please contact your dealer.**

DTC100



DTC101



- 1. Caution Label 2. High-heat warning area

⚠CAUTION:

- **DTC100 and DTC101 are for copper and aluminum cables only. Do not use these tools for steel, ACSR, or other steel materials.**

The overcurrent protection function

If overload current applies due to cutting cable outside specification, the overcurrent protection function activates and stops the motor. To recover, release the forward-mode switch.

Replacing with spare parts (DTC100)

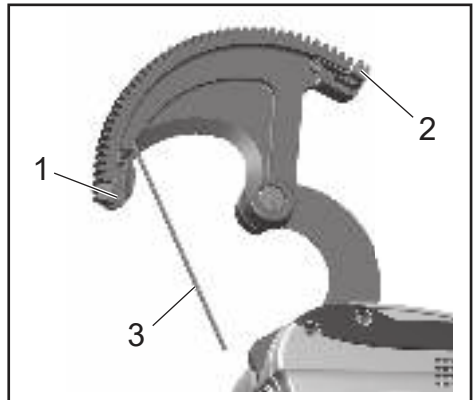
To replace the gear guide by yourself, follow the procedure below.

⚠CAUTION:

- **Make sure to remove the battery pack from the main unit before replacing the gear guide.**
- **If the gear guide is damaged or produces an abnormal noise, replace it immediately. Continuing to use the product with a damaged gear guide could cause damage to the internal gears.**

Replacing the gear guide

1. Removing the gear guide
Use a hex key to unscrew the bolt with hexagonal hole (M3 × 3) and remove the gear guide.
2. Mounting the gear guide
Mount the new gear guide and tighten the bolt securely.



- 1. Gear guide (A) 2. Gear guide (B) 3. Hex key

Replacing with spare parts (DTC101)

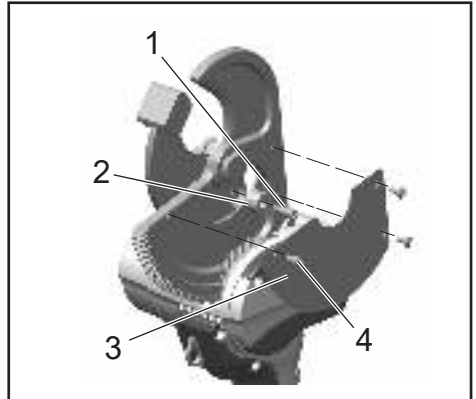
To replace the stopper by yourself, follow the procedure below.

⚠ CAUTION:

- Make sure to remove the battery pack from the main unit before replacing the stopper.

Replacing the stopper

1. Remove the roundhead Phillips screws, plate, and shoulder bolt (37), then take off the stopper.
2. Attach the new stopper with the shoulder bolt, apply screw locking adhesive to the screw, then tighten completely.
3. Attach the plate and screw in the round-head Phillips screws.

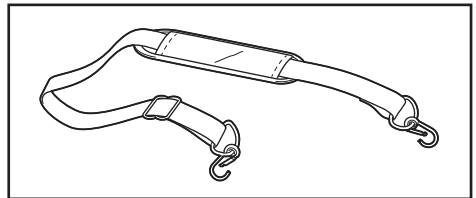


- 1. Shoulder bolt (37) 2. Stopper 3. Plate
4. Round-head Phillips screws

Optional accessories

• Shoulder belt (161347-8)

This shoulder strap is used by connecting the hanging strap of this tool.



Maintenance/Inspection

- Be aware that neglect of daily maintenance/inspection may cause a malfunction of the tool.
- Please avoid storing the tool in a humid environment for smooth operation of the tool and prevention of rust.
- If the tool is damaged during normal use (10,000 operations or more, 1,000 cuts or more), do not resume operation simply after replacing only the damaged part, as it has reached the end of its life.
- When a resin part becomes dirty, use a soft cloth dampened with soapy water to wipe it.
- When the battery pack is stored alone, be sure to put the accessory terminal cover on the terminal to prevent short circuit.
- For safety inspection, we recommend submitting the tool to the manufacturer about once every two years (fee incurred). Contact your dealer for details.

Specifications

Cordless cable cutter	DTC100	DTC101
Maximum cuttable diameter	Non-ferrous materials only (AL or Cu)	
	φ50 mm (Cu Strand φ30 mm / Al Strand φ38 mm)	
Electric motor	DC motor	
Dimensions	117 (D) × 320 (H) × 197 (W) (mm)	117 (D) × 380 (H) × 189 (W) (mm)
Weight	2.2 kg	2.9 kg

⚠ CAUTION:

- DTC100 and DTC101 are for copper and aluminum cables only. Do not use these tools for steel, ACSR, or other steel materials.

Declarations of Conformity

For European countries only

The Declarations of conformity are included in Annex A to this instruction manual.

⚠️ AVERTISSEMENT : Veuillez lire et comprendre toutes les instructions et informations de sécurité contenues dans ce guide de l'opérateur et ces instructions. L'utilisation pour des applications non prévues peut entraîner des blessures graves voire mortelles.

- Nous vous remercions d'avoir fait l'acquisition de notre coupe câble sans fil.
- Veuillez lire attentivement l'intégralité de ce mode d'emploi avant d'essayer d'utiliser l'appareil. Après avoir lu ce mode d'emploi, rangez-le dans un endroit facilement accessible.
- **Description**
Les coupeuses mécaniques fonctionnent sur batterie et sont conçues pour couper des câbles utilisés dans l'industrie aujourd'hui.

Précautions relatives à la sécurité

⚠️ AVERTISSEMENT : Lisez toutes les consignes de sécurité et toutes les instructions. Il y a un risque d'électrocution, d'incendie et/ou de blessures graves si les mises en garde et les instructions ne sont pas respectées.

Conservez tous les avertissements et toutes les instructions pour référence ultérieure.

⚠️ AVERTISSEMENT : L'utilisateur peut être tué ou gravement blessé si ce produit est mal utilisé.

1) Sécurité de la zone de travail

- Conservez la zone de travail propre et bien éclairée. Les zones en désordre ou sombres sont propices aux accidents.
- N'utilisez pas un outil électrique dans une atmosphère explosive, par exemple en présence de liquides, de gaz ou de poussières inflammables. Un outil électrique produit des étincelles qui peuvent provoquer l'inflammation de la poussière ou des vapeurs.
- Maintenez les enfants et les badauds à l'écart pendant l'utilisation d'un outil électrique. Une distraction peut vous faire perdre le contrôle.

2) Sécurité électrique

- La fiche d'un outil électrique doit être adaptée à la prise. La fiche ne doit en aucun cas être modifiée. N'utilisez pas de fiche adaptatrice avec un outil électrique à branchement de terre (masse). Une fiche non modifiée et une prise de courant compatible réduisent le risque d'électrocution.
- Évitez tout contact corporel avec des surfaces reliées à la terre (tuyaux, radiateurs, cuisinières, réfrigérateurs, etc.). Le risque d'électrocution augmente si votre corps est relié à la terre ou à la masse.
- N'exposez pas un outil électrique à la pluie ou à des conditions humides. Le risque d'électrocution augmente si de l'eau pénètre dans un outil électrique.

- Ne maltraitez pas le cordon. Ne transportez jamais un outil électrique par son cordon ni ne tirez sur le cordon pour déplacer ou débrancher l'outil électrique.
Maintenez le cordon à l'écart de la chaleur, de l'huile, des bords tranchants ou des pièces en mouvement. Le risque d'électrocution augmente si le cordon est endommagé ou enchevêtré.
- Lors de l'utilisation d'un outil électrique à l'extérieur, une rallonge prévue à cette fin doit être utilisée. Le risque d'électrocution diminue si un cordon convenant à l'extérieur est utilisé.
- Si l'utilisation d'un outil électrique dans un emplacement humide est inévitable, l'alimentation doit être protégée par un dispositif différentiel à courant résiduel (DDR). L'usage d'un DDR réduit le risque d'électrocution.

3) Sécurité personnelle

- Restez vigilant, surveillez vos gestes et faites preuve de bon sens lors de l'utilisation d'un outil électrique.
N'utilisez pas un outil électrique en cas de fatigue ou sous l'emprise de drogues, d'alcool ou de médicaments. Un moment d'inattention durant l'utilisation d'un outil électrique peut entraîner de graves blessures corporelles.
- Utilisez un équipement de protection individuelle. Portez toujours des lunettes de sécurité. L'utilisation d'équipements de protection comme un masque antipoussières, des chaussures à semelle antidérapante, un casque de sécurité ou des protège-tympan dans des conditions adéquates diminue le risque de blessures.
- Évitez tout démarrage intempestif. Assurez-vous que l'interrupteur est en position d'arrêt avant de brancher l'outil au secteur et/ou sur la batterie, de le ramasser ou de le transporter. Transporter un outil électrique en ayant le doigt sur l'interrupteur ou brancher un outil électrique dont l'interrupteur est en position de marche est propice aux accidents.
- Retirez toute clé de réglage avant de mettre l'outil électrique sous tension. Une clé laissée en place sur une pièce rotative de l'outil électrique peut entraîner des blessures.

- e) Ne vous penchez pas trop loin. Conservez un bon appui au sol et gardez constamment l'équilibre. Vous aurez ainsi une meilleure maîtrise de l'outil électrique en cas de situations imprévues.
- f) Habillez-vous de manière adaptée. Ne portez pas de vêtements amples ni de bijoux. Éloignez vos cheveux, vêtements et gants des pièces en mouvement. Des vêtements amples, des bijoux ou de longs cheveux peuvent être happés par les pièces en mouvement.
- g) Si des dispositifs sont fournis pour le raccordement d'un extracteur ou d'un collecteur de poussière, assurez-vous qu'ils sont connectés et correctement utilisés. L'utilisation d'un collecteur de poussière peut réduire les risques liés à la poussière.
- h) Ne vous laissez pas tromper au fil d'une utilisation fréquente par un sentiment de familiarité vous faisant baisser la garde et ignorer les principes de sécurité de l'outil. Des actions imprudentes peuvent provoquer de graves blessures en une fraction de seconde.
- h) Gardez les poignées et les surfaces de préhension sèches, propres et sans trace d'huile ou de graisse. Des poignées et des surfaces de préhension glissantes ne permettent pas une manipulation et une maîtrise sûres de l'outil dans les situations imprévues.

5) Utilisation et entretien des outils fonctionnant sur batterie

- a) Ne rechargez la batterie qu'avec le chargeur spécifié par le fabricant. Un chargeur conçu pour un type de batterie peut présenter un risque d'incendie s'il est utilisé avec une batterie d'un autre type.
 - b) N'utilisez un outil électrique qu'avec des batteries spécifiquement indiquées. L'utilisation de tout autre type de batterie peut présenter un risque de blessure ou d'incendie.
 - c) Lorsque vous n'utilisez pas la batterie, tenez-la à l'écart des objets métalliques, tels que trombones, pièces de monnaie, clés, clous, vis ou autres petits objets métalliques susceptibles de créer une connexion entre deux bornes. Court-circuiter les bornes de batterie entre elles peut provoquer des brûlures ou un incendie.
 - d) Dans des conditions d'utilisation inadéquate, il peut y avoir une fuite de l'électrolyte de la batterie. Le cas échéant, évitez tout contact avec ce liquide. En cas de contact accidentel, rincez à l'eau. Si le liquide pénètre dans les yeux, consultez par ailleurs un médecin.
Le liquide s'échappant de la batterie peut provoquer une irritation ou des brûlures.
 - e) N'utilisez pas une batterie ou un outil s'ils sont endommagés ou modifiés. Une batterie endommagée ou modifiée peut avoir un comportement imprévisible susceptible d'entraîner un incendie, une explosion ou des blessures.
 - f) N'exposez pas la batterie ou l'outil au feu ou à une température excessive. L'exposition au feu ou à une température supérieure à 130 °C peut provoquer une explosion.
 - g) Respectez toutes les instructions de charge et ne chargez pas la batterie ou l'outil en dehors de la plage de température indiquée dans les instructions. Une charge incorrecte ou à une température en dehors de la plage indiquée peut endommager la batterie et augmenter le risque d'incendie.
- ## 6) Réparation
- a) Confiez l'entretien de l'outil électrique à un réparateur qualifié utilisant uniquement des pièces de rechange identiques. La sécurité de l'outil électrique sera ainsi préservée.
 - b) Ne réparez jamais les batteries endommagées. La réparation des batteries doit être effectuée uniquement par le fabricant ou un dépanneur agréé.
- Tenez l'outil électrique par des surfaces de prise isolées lorsque vous effectuez une tâche au cours de laquelle des éléments de fixation peuvent entrer en contact avec des fils cachés. Le contact d'éléments de fixation avec un fil sous tension peut transmettre du courant aux parties métalliques exposées de l'outil électrique et électrocuter l'opérateur.

Utilisez un chargeur de batterie et une batterie de marque Makita.

- Utilisez une batterie d'origine pour cet outil.
- Ne chargez pas la batterie avec un autre chargeur de batterie. Le non-respect de cette consigne pourrait provoquer une rupture, susceptible d'entraîner un accident ou des blessures.

Chargez la batterie dans le bon sens.

- Utilisez une source d'alimentation indiquant clairement la puissance nominale pour connecter le chargeur de batterie fourni avec ce produit.
- N'utilisez pas une source d'alimentation CC ou un groupe électrogène à moteur pour charger la batterie. Le non-respect de cette consigne pourrait générer une chaleur excessive susceptible de déclencher un incendie.
- Lorsque la température ambiante, la température de la batterie ou du chargeur de batterie est inférieure à 0 °C ou supérieure à 40 °C, ne chargez pas la batterie. Le non-respect de cette consigne pourrait entraîner une rupture ou un incendie.
- Lorsque vous chargez la batterie, choisissez un endroit bien aéré.
- Ne couvrez pas la batterie avec un chiffon pendant la charge. Le non-respect de cette consigne pourrait entraîner une rupture ou un incendie.
- Veillez à débrancher la fiche d'alimentation après la charge. Le non-respect de cette consigne pourrait entraîner une électrocution ou un incendie.

Ne dirigez pas l'outil de coupe vers des personnes pendant l'utilisation.

- Le non-respect de cette consigne pourrait entraîner des blessures.

Ne court-circuitez pas les bornes de la batterie.

- Lors du rangement de la batterie, veillez à placer le cache-bornes sur la borne pour éviter tout court-circuit. Assurez-vous que les bornes de la batterie ne seront pas court-circuitées par d'autres pièces métalliques comme des vis, des clous, etc.

N'exposez pas la batterie à des flammes.

- Le non-respect de cette consigne pourrait entraîner une rupture ou une fuite de matériaux dangereux.

N'utilisez pas l'outil sur des composants électriques sous tension.

- Il n'est pas isolé. L'utilisation sur des emplacements électrifiés pourrait entraîner une électrocution.
- Ne touchez pas la fiche d'alimentation ou la batterie avec des mains humides. Le non-respect de cette consigne pourrait entraîner une électrocution.

Retirez la batterie du corps de l'outil dans les cas suivants.

- Lorsque vous ne l'utilisez pas ou pour le réparer
- Lorsque vous remplacez des pièces de rechange
- À d'autres occasions en cas de danger potentiel
Le non-respect de ces avertissements pourrait entraîner le démarrage accidentel de l'outil et provoquer des blessures.

Démarrage intempestif de l'outil.

- Assurez-vous que vos doigts sont éloignés de la gâchette lorsque vous déplacez l'outil. Le démarrage intempestif de l'outil pourrait entraîner des blessures.

Utilisez uniquement les accessoires spécifiés.

- N'utilisez pas d'accessoires autres que ceux indiqués dans ce mode d'emploi ou dans notre catalogue. Le non-respect de cette consigne pourrait entraîner un accident ou des blessures.

Utilisez un équipement de protection.

- Portez des lunettes de sécurité pendant la tâche. Si la tâche produit de la poussière, utilisez un masque de protection. Lors de la coupe, de petits morceaux peuvent se disperser et provoquer des blessures.

Évitez de regarder directement dans la baladeuse LED.

- Cela présente un risque de lésion oculaire.

Tenez compte de l'environnement de travail.

- N'utilisez pas l'outil, le chargeur de batterie ou la batterie sous la pluie ou dans un endroit humide. Le non-respect de cette consigne pourrait entraîner une électrocution ou de la fumée.
- Effectuez le travail dans un endroit suffisamment éclairé. Travailler dans un endroit sombre pourrait provoquer un accident.
- N'utilisez ni ne chargez la batterie en présence de gaz ou de liquides inflammables. Le non-respect de cette consigne pourrait entraîner une explosion ou un incendie.

Gardez toujours le lieu de travail propre.

- Les endroits et établis désordonnés sont propices aux accidents.

Tenez les enfants à l'écart de l'outil.

- Ne laissez personne d'autre que les opérateurs toucher l'outil et le cordon du chargeur de batterie. Tenez les gens à l'écart du lieu de travail. Le non-respect de cette consigne pourrait provoquer des blessures.

Lorsque l'outil n'est pas utilisé, rangez-le soigneusement.

- Rangez l'outil dans un endroit avec un faible taux d'humidité en hauteur que les enfants ne peuvent atteindre ou dans un endroit pouvant être fermé à clé. Le non-respect de cette consigne pourrait provoquer un accident.
- Ne rangez pas l'outil ou la batterie dans un endroit où la température peut atteindre 40 °C ou plus (à l'intérieur d'une boîte métallique, dans une voiture en été, etc.). Le non-respect de cette consigne pourrait détériorer la batterie, ce qui peut dégager de la fumée ou provoquer une inflammation.

N'utilisez pas l'outil de manière déraisonnable.

- Utilisez l'outil conformément à sa capacité pour garantir un fonctionnement sûr et efficace. L'utilisation de l'outil au-delà de sa capacité pourrait provoquer un accident.

- N'utilisez pas l'outil d'une façon déraisonnable susceptible de faire caler le moteur. Le non-respect de cette consigne pourrait entraîner de la fumée ou un incendie.

Utilisez un outil adapté à la tâche.

- N'utilisez pas l'outil pour d'autres applications que celles spécifiées. Le non-respect de cette consigne pourrait provoquer des blessures.

Portez des vêtements appropriés pour la tâche.

- Ne portez pas de vêtements amples ou d'accessoires comme un collier. De tels articles peuvent se coincer dans une pièce mobile, une pièce rotative ou similaire.
- En cas de fonctionnement à l'extérieur, il est recommandé d'utiliser des gants en caoutchouc et des chaussures antidérapantes. Des gants et des chaussures glissants peuvent provoquer des blessures.
- Si vous avez les cheveux longs, utilisez une casquette ou une coiffe pour couvrir vos cheveux. Autrement, vos cheveux pourraient se coincer dans une pièce en mouvement, en rotation ou similaire.

N'utilisez pas l'outil en gardant une mauvaise posture.

- Conservez constamment un bon appui au sol et gardez l'équilibre. Le non-respect de cette consigne pourrait vous faire basculer, ce qui présente un risque de blessures.

Restez vigilant lorsque vous êtes concentré sur votre tâche.

- Lorsque vous utilisez l'outil, faites preuve de prudence quant à la méthode de manipulation, le mode de fonctionnement et l'environnement, et exécutez votre tâche avec précaution. Le non-respect de cette consigne pourrait provoquer un accident ou des blessures.
- N'utilisez pas l'outil sous l'emprise d'alcool. Le non-respect de cette consigne pourrait provoquer un accident ou des blessures.
- N'utilisez pas l'outil en cas de mauvaise condition physique. Le non-respect de cette consigne pourrait provoquer un accident ou des blessures.

Ne manipulez pas le cordon du chargeur de batterie de manière brutale.

- Ne transportez pas le chargeur par le cordon, et pour le débrancher de la prise, ne tirez pas sur le cordon.
- Tenez le cordon à l'écart de sources de chaleur, de l'huile et de bords tranchants.
- Assurez-vous que l'environnement de charge ne vous fera pas marcher sur le cordon ou trébucher dessus. Le non-respect de cette consigne pourrait provoquer une électrocution ou un court-circuit, ce qui peut provoquer une inflammation.

Utilisez une rallonge aux spécifications adaptées pour l'extérieur.

- Si vous utilisez l'outil à l'extérieur, utilisez une rallonge en câble gainé de caoutchouc résistant.

Effectuez l'entretien de l'outil avec précaution.

- Suivez le mode d'emploi lors du remplacement des pièces de rechange. Le non-respect de cette consigne pourrait provoquer des blessures.
- Inspectez régulièrement le cordon du chargeur de batterie. Si le cordon est endommagé, demandez à votre centre de service après-vente agréé de le réparer. Le non-respect de cette consigne pourrait provoquer une électrocution ou un court-circuit, ce qui peut provoquer une inflammation.
- Si vous utilisez une rallonge, inspectez-la régulièrement. Si le cordon est endommagé, remplacez-le par un neuf. Le non-respect de cette consigne pourrait provoquer une électrocution ou un court-circuit, ce qui peut provoquer une inflammation.
- Gardez la poignée toujours sèche et propre et tenez-la à l'écart d'huile et de graisse. Le non-respect de cette consigne pourrait provoquer des blessures.

Vérifiez les pièces endommagées.

- Vérifiez que rien n'est endommagé avant utilisation. Assurez-vous que l'outil fonctionne normalement et que tous les composants marchent correctement.
- Assurez-vous que les pièces en mouvement ne sont pas désalignées, qu'elles sont en bon état de marche, qu'aucune pièce n'est cassée, vérifiez le montage ou la présence de toute autre condition pouvant affecter le bon fonctionnement.
- N'utilisez pas le chargeur de batterie si sa fiche ou son cordon d'alimentation est endommagé ou s'il est tombé et a été endommagé. Le non-respect de cette consigne pourrait provoquer une électrocution ou un court-circuit, ce qui peut provoquer une inflammation. S'il est endommagé, il doit être réparé ou remplacé correctement par un centre de service après-vente agréé sauf indication contraire de ce mode d'emploi. Confiez le remplacement des interrupteurs défectueux à un centre de service après-vente agréé. N'utilisez pas l'outil s'il est impossible de l'allumer ou de l'éteindre avec l'interrupteur. Un tel outil pourrait fonctionner anormalement, ce qui pourrait entraîner des blessures.

Demandez à votre centre de service après-vente agréé d'effectuer la réparation.

- Ne démontez pas, ne réparez pas, ni ne modifiez l'unité principale, le chargeur de batterie ou la batterie. Le non-respect de cette consigne pourrait provoquer une inflammation ou un fonctionnement anormal, ce qui présente un risque de blessures.
- Si l'outil chauffe ou si une anomalie est détectée dans l'outil, demandez son inspection ou sa réparation.
- Cet outil a été fabriqué conformément aux exigences de sécurité en vigueur. N'essayez pas de modifier ce produit.
- Confiez sa réparation à un centre de service agréé. Les réparations doivent être effectuées uniquement par un personnel qualifié avec des pièces de rechange d'origine, sous peine d'exposer l'utilisateur à un danger considérable.

Précautions d'utilisation du coupe-câble sans fil

- Lorsque vous utilisez cet outil, suivez les instructions ci-dessous :

Précautions pour l'outil

- **Ne coupez jamais quoi que ce soit au-delà de la capacité de coupe maximale.**

Soyez prudent, car le non-respect de cette consigne pourrait entraîner des dommages. (voir page 33)

- **Ne touchez pas le tranchant des lames mobiles ou fixes.**

Le non-respect de cette consigne pourrait entraîner des blessures.

- **Ne coupez jamais des fils sous tension (câbles électriques conducteurs d'électricité).**

- **Ne soumettez pas le produit à des chutes ou à d'autres chocs excessifs.**

La structure interne a été fabriquée avec précision pour la rendre compacte et légère, de sorte qu'elle pourrait ne pas fonctionner correctement en cas de choc.

- **N'utilisez pas le produit sous la pluie.**

Vous risqueriez de rouiller la lame et d'érousser le bord tranchant ou de l'endommager.

- **Ne coupez pas de surlongueurs de 50 mm ou moins.**

Couper des surlongueurs des extrémités de câbles CCP et d'autres câbles extrêmement courts peut couper l'intérieur du câble, etc.

- **N'appliquez pas de force dans le sens contraire à la direction de coupe.**

Coupez toujours droit les matériaux. Le non-respect de cette consigne pourrait endommager la lame de coupe.

- **Tenez solidement.**

Le non-respect de cette consigne pourrait entraîner des blessures.

- **Assurez-vous que personne ne se trouve en dessous de vous avant l'utilisation dans un endroit élevé.**

Le non-respect de cette consigne pourrait entraîner un accident en cas de chute de matériaux ou de l'appareil, etc.

- **Vérifiez l'absence d'anomalie avant utilisation.**

Des fissures ou des fractures sur l'outil de coupe peuvent l'endommager et entraîner des blessures.

- **Faites des pauses pendant l'utilisation.**

Une coupe prolongée sans pauses maintient une chaleur élevée du moteur ce qui peut provoquer une surchauffe du moteur et de la batterie, entraînant des dommages. Assurez-vous de prendre des pauses occasionnelles pendant l'utilisation.

- **Une température ambiante basse (10 °C ou moins) peut provoquer le durcissement du câble électrique, le rendant difficile à couper, même dans les limites de la capacité de coupe.**

- **Nettoyez à l'air, etc., après chaque utilisation.**

Veillez à ce que les coupures et autres débris ne pénètrent pas dans l'unité par l'ouverture (dispositif d'entraînement de lame mobile).

- **Ne coupez pas de câbles électriques dont le diamètre de fil est de 1 mm.**

Le non-respect de cette consigne pourrait coincer la lame de coupe dans le câble électrique et bloquer la lame.

Précautions d'utilisation de la batterie

- Ne court-circuitez jamais les bornes.
- Gardez la batterie à l'écart de l'eau, de l'huile et de solvants organiques.
- Ne démontez pas ni ne modifiez la batterie.
- En cas de mise au rebut de la batterie, ne l'exposez pas aux flammes ni ne la jetez avec les ordures ménagères. (Nous encourageons le recyclage.)
- Ne lancez pas ni ne laissez tomber la batterie.
- Ne laissez pas la batterie dans un endroit où la température est supérieure ou égale à 40 °C pendant une période prolongée.
- Ne court-circuitez pas la batterie en plaçant de la saleté ou de la poussière sur la borne, sous peine d'entraîner un dysfonctionnement. Si la borne est corrodée, n'utilisez pas la batterie.
- Une fonction de protection, qui coupe l'alimentation, est intégrée afin de prolonger la durée de vie de la batterie. Le moteur peut s'arrêter lorsque le niveau de batterie restant est faible, même si l'interrupteur de marche est enfoncé pendant l'utilisation de cet outil. Toutefois, ce phénomène n'est pas dû à un dysfonctionnement mais à la fonction de protection. Le cas échéant, rechargez immédiatement la batterie.

Précautions pour le chargeur de batterie

- Ce chargeur de batterie est doté d'un voyant lumineux (LED multicolore) qui indique l'état de charge de la batterie.
- Ne court-circuitez pas le chargeur en plaçant de la saleté ou de la poussière dans la fente d'insertion, sous peine d'entraîner un dysfonctionnement. Si la borne métallique est corrodée, n'utilisez pas le chargeur de batterie.

SYMBOLES D'AVERTISSEMENT



Avant d'utiliser l'outil, lisez attentivement les instructions de ce manuel.



Zone d'avertissement de chaleur élevée

Pour protéger le moteur, n'utilisez pas l'outil si la zone d'avertissement de chaleur élevée devient chaude. (voir page 31)



Ne touchez pas l'outil pendant le fonctionnement.

Symboles



Pour les pays de l'Union européenne uniquement

En raison de la présence de composants dangereux dans l'équipement, les déchets d'équipements électriques et électroniques, les accumulateurs et les batteries peuvent avoir un impact négatif sur l'environnement et la santé humaine.

Ne jetez pas les appareils électriques et électroniques ou les batteries avec les ordures ménagères !

Conformément à la directive européenne relative aux déchets d'équipements électriques et électroniques et aux déchets d'accumulateurs et de batteries, ainsi qu'à son adaptation à la législation nationale, les déchets d'équipements électriques, les batteries et les accumulateurs doivent être collectés séparément et déposés dans un point de collecte distinct pour déchets urbains, conformément aux réglementations en matière de protection de l'environnement.

Cela est indiqué par le symbole de la poubelle à roulettes barrée sur l'équipement.

Bruit

Niveau de bruit pondéré A typique, déterminé selon EN62841-1 :

Niveau de pression sonore (K=3 dB (A)) : 69,5 dB (A)

Niveau de puissance acoustique (K=3 dB (A)) : 78,1 dB (A)

NOTE : La ou les valeurs d'émission de bruit déclarées ont été mesurées conformément à la méthode de test standard et peuvent être utilisées pour comparer les outils entre eux.

NOTE : La ou les valeurs d'émission de bruit déclarées peuvent aussi être utilisées pour l'évaluation préliminaire de l'exposition.

AVERTISSEMENT : Portez un serre-tête antibruit.

AVERTISSEMENT : L'émission de bruit lors de l'usage réel de l'outil électrique peut être différente de la ou des valeurs déclarées, suivant la façon dont l'outil est utilisé, particulièrement selon le type de pièce usinée.

AVERTISSEMENT : Les mesures de sécurité à prendre pour protéger l'utilisateur doivent être basées sur une estimation de l'exposition dans des conditions réelles d'utilisation (en tenant compte de toutes les composantes du cycle d'utilisation, comme par exemple le moment de sa mise hors tension, lorsqu'il tourne à vide et le moment de son déclenchement).

Vibrations

Valeur totale de vibrations (somme de vecteur triaxial) déterminée selon EN62841-1 :

Poignée : 0,3 m/s²

Incertitude (K) : 1,5 m/s²

NOTE : La ou les valeurs de vibration totales déclarées ont été mesurées conformément à la méthode de test standard et peuvent être utilisées pour comparer les outils entre eux.

NOTE : La ou les valeurs de vibration totales déclarées peuvent aussi être utilisées pour l'évaluation préliminaire de l'exposition.

AVERTISSEMENT : L'émission de vibrations lors de l'usage réel de l'outil électrique peut être différente de la ou des valeurs déclarées, suivant la façon dont l'outil est utilisé, particulièrement selon le type de pièce usinée.

AVERTISSEMENT : Les mesures de sécurité à prendre pour protéger l'utilisateur doivent être basées sur une estimation de l'exposition dans des conditions réelles d'utilisation (en tenant compte de toutes les composantes du cycle d'utilisation, comme par exemple le moment de sa mise hors tension, lorsqu'il tourne à vide et le moment de son déclenchement).

Batterie et chargeur applicables

Batterie	BL1815N / BL1820B / BL1830B / BL1840B / BL1850B / BL1860B
Chargeur	DC18RC / DC18RD / DC18RE / DC18SD / DC18SE / DC18SF / DC18SH / DC18WC

- Certains chargeurs et batteries répertoriés ci-dessus peuvent ne pas être disponibles selon la région où vous résidez.
- Pour charger la batterie, veuillez lire le mode d'emploi du chargeur de batterie.

⚠ AVERTISSEMENT : Utilisez uniquement les batteries et chargeurs répertoriés ci-dessus. L'utilisation d'autres batteries et chargeurs peut provoquer des blessures et/ou un incendie.

Consignes de sécurité importantes pour la batterie

1. **Avant d'utiliser la batterie, veuillez lire toutes les instructions et tous les avertissements inscrits sur (1) le chargeur de batterie, (2) la batterie et (3) le produit alimenté par la batterie.**
2. **Ne démontez ni ne modifiez la batterie.** Cela pourrait entraîner un incendie, une chaleur excessive ou une explosion.
3. **Si l'autonomie de la batterie devient très courte, cessez immédiatement l'utilisation. Autrement, il y a risque de surchauffe, d'éventuelles brûlures, voire d'explosion.**
4. **Si de l'électrolyte pénètre dans vos yeux, rincez-les à l'eau claire et consultez immédiatement un médecin. Cela présente un risque de lésion oculaire.**
5. **Ne court-circuitez pas la batterie :**
 - (1) **Ne touchez pas les bornes avec un matériau conducteur.**
 - (2) **Évitez de ranger la batterie dans un contenant avec d'autres objets métalliques comme des clous, pièces de monnaie, etc.**
 - (3) **N'exposez pas la batterie à l'eau ou à la pluie. Un court-circuit de la batterie peut provoquer une circulation de courant élevé, une surchauffe, d'éventuelles brûlures, voire une panne.**
6. **Ne rangez ni n'utilisez l'outil et la batterie dans un endroit où la température risque d'atteindre ou de dépasser 50 °C (122 °F).**
7. **N'incinerez pas la batterie même si elle est gravement endommagée ou complètement usée. La batterie peut exploser dans un feu.**
8. **Abstenez-vous de clouer, couper, écraser, jeter, laisser tomber la batterie, ou de la heurter contre un objet dur.** De telles actions pourraient entraîner un incendie, une chaleur excessive ou une explosion.
9. **N'utilisez pas une batterie endommagée.**
10. **Les batteries au lithium-ion contenues sont soumises aux exigences de la législation concernant les marchandises dangereuses.**

Pour les transports commerciaux effectués par exemple par des transitaires tiers ou des expéditeurs, les exigences particulières apposées sur l'emballage et l'étiquetage doivent être respectées.

Pour préparer l'article à expédier, il est nécessaire de consulter un expert en matières dangereuses. Les éventuelles réglementations nationales plus détaillées doivent également être respectées.

Protégez les contacts ouverts ou recouvrez-les de ruban, et emballez la batterie de sorte qu'elle soit immobile dans l'emballage.
11. **Lors de la mise au rebut de la batterie, retirez-la de l'outil et mettez-la au rebut dans un endroit sûr. Respectez la réglementation locale en matière de mise au rebut des batteries.**
12. **Utilisez les batteries uniquement avec les produits spécifiés par Makita.** L'insertion de batteries non conformes aux produits peut provoquer un incendie, une chaleur excessive, une explosion ou une fuite de l'électrolyte.
13. **Lorsque vous n'utilisez pas l'outil pendant une période prolongée, la batterie doit être retirée de l'outil.**
14. **Pendant et après l'utilisation, la batterie peut chauffer, ce qui peut entraîner des brûlures ou des brûlures par le froid. Faites attention à la manipulation des batteries chaudes.**
15. **Ne touchez pas la borne de l'outil immédiatement après utilisation, car elle peut être assez chaude pour provoquer des brûlures.**
16. **Évitez que des copeaux, de la poussière ou de la terre adhèrent aux bornes, aux orifices et aux rainures de la batterie.** Cela pourrait provoquer un échauffement, un incendie, un éclatement et un dysfonctionnement de l'outil ou de la batterie, entraînant des brûlures ou des blessures.
17. **À moins que l'outil prenne en charge un tel usage, n'utilisez pas la batterie à proximité de lignes électriques haute tension.** Cela pourrait entraîner un dysfonctionnement ou une panne de l'outil ou de la batterie.

18. Conservez la batterie hors de portée des enfants.

CONSERVEZ CES INSTRUCTIONS.

⚠ ATTENTION :

- Utilisez uniquement des batteries de marque **Makita**.

L'utilisation de batteries de marque autre que Makita ou de batteries modifiées peut provoquer l'explosion des batteries, ce qui présente un risque d'incendie, de dommages matériels et corporels. Cela annulera également la garantie Makita pour l'outil et le chargeur Makita.

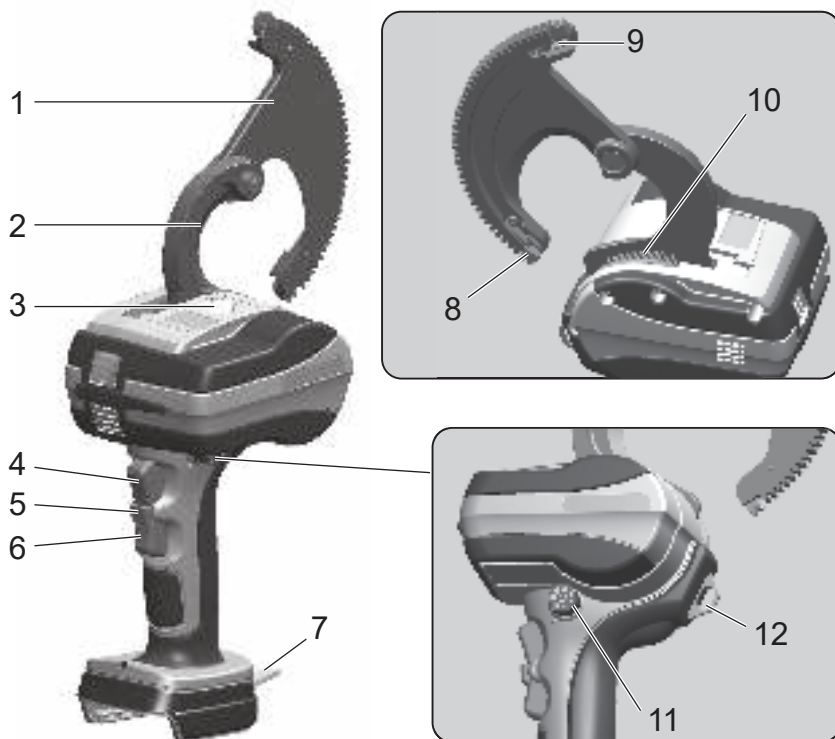
Conseils pour une durée de vie optimale de la batterie

1. Rechargez la batterie avant qu'elle ne soit complètement déchargée. Arrêtez toujours l'outil et rechargez la batterie quand vous remarquez que la puissance de l'outil diminue.
2. Ne rechargez jamais une batterie qui est déjà complètement chargée. La surcharge de la batterie réduit sa durée de service.
3. Chargez la batterie à une température ambiante comprise entre 10 °C et 40 °C (50 °F et 104 °F). Avant de charger une batterie chaude, laissez-la refroidir.
4. Lorsque vous n'utilisez pas la batterie, retirez-la de l'outil ou du chargeur.
5. Chargez la batterie si vous ne l'utilisez pas pendant une période prolongée (plus de six mois).

Noms et accessoires

DTC100

Coupe-câble sans fil



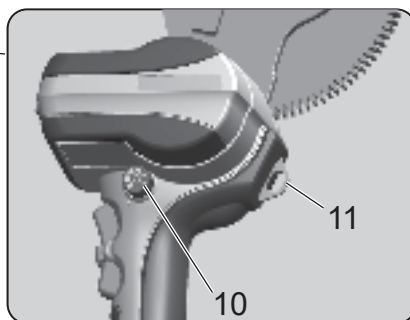
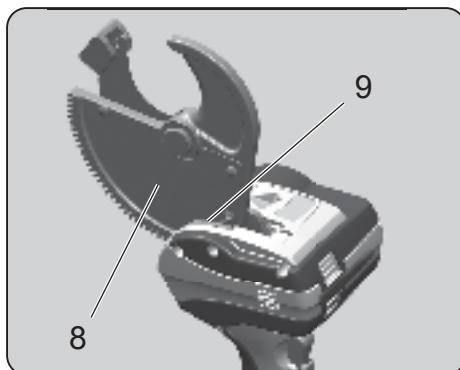
Mallette de transport



* Cet outil est conçu pour la batterie au lithium-ion Makita 18 V.

1	Lame mobile	7	Sangle de suspension
2	Lame fixe	8	Guide de pignon (A)
3	Baladeuse LED	9	Guide de pignon (B)
4	Commutateur du mode marche avant	10	Brosse (pour épousseter)
5	Verrouillage du commutateur	11	Bouton gradué
6	Commutateur du mode marche arrière	12	Anneau de suspension

Coupe-câble sans fil



Mallette de transport



* Cet outil est conçu pour la batterie au lithium-ion Makita 18 V.

1	Lame mobile	7	Sangle de suspension
2	Lame fixe	8	Plaque de lame mobile
3	Baladeuse LED	9	Brosse (pour épousseter)
4	Commutateur du mode marche avant	10	Bouton gradué
5	Verrouillage du commutateur	11	Anneau de suspension
6	Commutateur du mode marche arrière	—	—

Batterie

Batterie

- Au moment de l'achat, la fonction de protection de la batterie peut être activée en raison de la charge insuffisante de la batterie. (Soyez prudent, car ce produit peut se mettre en marche si vous actionnez l'interrupteur.) Chargez correctement la batterie avec le chargeur rapide avant utilisation.
- Fixez le couvercle de la batterie lorsque vous n'utilisez pas le produit. Il aidera à protéger la batterie de l'eau et de la poussière.
- Si vous n'utilisez pas le produit pendant une période prolongée, retirez la batterie avant de la ranger.

Pour augmenter la durée de vie de la batterie

- Lorsque vous remarquez un affaiblissement de la puissance de l'outil, cessez de l'utiliser et rechargez la batterie.
- Ne rechargez pas une batterie complètement chargée.
- Chargez la batterie à une température ambiante comprise entre 10 °C et 40 °C.
- Si la batterie devient chaude (par exemple, immédiatement après utilisation), nous vous recommandons de l'insérer dans le chargeur pour la laisser refroidir et la charger.
- Lorsque vous prévoyez de ne pas utiliser une batterie au lithium-ion pendant une période prolongée (au moins 6 mois), nous vous recommandons de la charger puis de la ranger.

Collecte des batteries

- Les batteries usagées sont collectées pour être recyclées. Veuillez apporter la batterie au magasin où vous avez acheté le produit ou à un bureau de vente Makita.



Li-ion

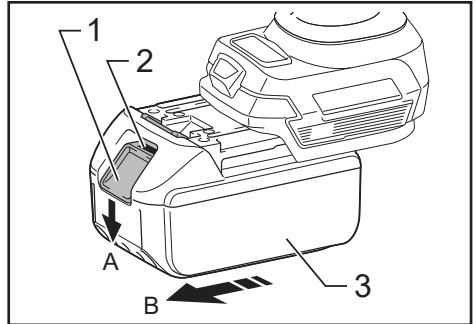
Recyclez la batterie au lithium-ion

Comment fixer et retirer la batterie

⚠️ AVERTISSEMENT :

Insérez correctement la batterie dans le produit. Si la partie rouge en haut du bouton est visible, la batterie n'est pas complètement verrouillée en place. Insérez fermement la batterie à fond jusqu'à ce que toute la partie rouge ne soit plus visible.

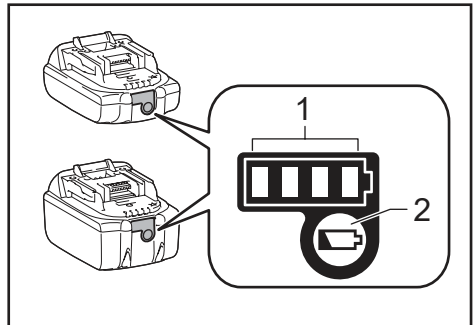
- Si la batterie n'est pas assez insérée, elle peut se détacher et provoquer un accident.
- Pour retirer la batterie de ce produit : A. maintenez enfoncé le bouton situé à l'avant de la batterie et B. faites glisser la batterie pour la retirer.
- Pour fixer la batterie, alignez-la sur les rainures du produit, puis insérez-la complètement en procédant dans l'ordre inverse. Si la partie rouge en haut du bouton est visible à ce moment, la batterie n'est pas complètement verrouillée en place. Insérez correctement la batterie à fond jusqu'à ce que toute la partie rouge ne soit plus visible.



► 1. Bouton 2. Partie rouge 3. Batterie

Indication de la charge restante de la batterie

Uniquement pour les batteries avec voyant lumineux



► 1. Voyants lumineux 2. Bouton de vérification

Appuyez sur le bouton de vérification situé sur la batterie pour afficher la charge restante de la batterie. Les voyants lumineux s'allument pendant quelques secondes.

Voyants lumineux			Charge restante
Allumé	Éteint	Cignotant	
■	□	◐	75 % à 100 %
■	■	□	50 % à 75 %
■	■	□	25 % à 50 %
■	□	□	0 % à 25 %
◐	□	□	Chargez la batterie.
■	■	□	Dysfonctionnement possible de la batterie.
□	□	■	

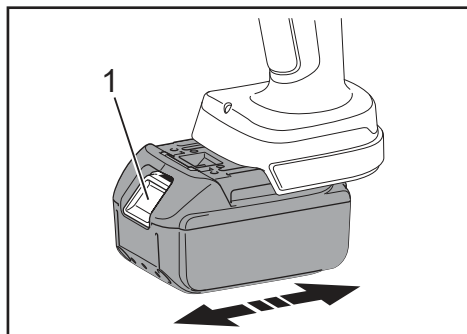
REMARQUE : Selon les conditions d'utilisation et la température ambiante, l'indication peut être légèrement différente de la capacité réelle.

REMARQUE : Le premier voyant lumineux (complètement à gauche) clignotera pendant le fonctionnement du système de protection de la batterie.

Comment utiliser l'outil

Fixation de la batterie

1. Tout en appuyant sur le loquet, tirez sur la batterie pour l'extraire. Pour remplacer la batterie, poussez fermement la batterie neuve pour la mettre en place.
2. Après avoir inséré une batterie, vérifiez qu'elle est bien en place en tirant délicatement dessus. N'appuyez pas sur le loquet lorsque vous tirez sur la batterie.

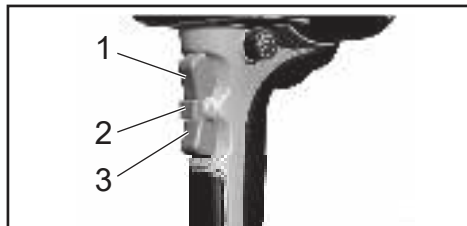


► 1. Loquet

Fonctionnement des commutateurs

Par mesure de sécurité, l'outil dispose d'un système à double commutateur.

Pour activer le commutateur du mode marche avant (coupe) et le commutateur du mode marche arrière (marche arrière), appuyez d'abord sur le verrouillage du commutateur, puis appuyez sur le commutateur du mode marche avant/arrière.



- 1. Commutateur du mode marche avant
2. Verrouillage du commutateur
3. Commutateur du mode marche arrière

Lampe LED d'aide au travail

Cet outil comporte une lampe LED qui éclaire la périphérie de la lame de coupe. Elle s'allume lorsque le commutateur de marche avant ou de marche arrière est enfoncé, puis s'éteint environ 10 secondes après l'avoir relâché.

ATTENTION :

- Ne regardez pas directement dans la lampe LED. Regarder la lampe LED pendant une période prolongée présente un risque de lésion oculaire.

Alarme de batterie faible

Si la charge restante de la batterie est faible, la lumière LED clignote 5 fois en signe d'alarme lorsque le commutateur du mode marche avant est enfoncé. Chargez la batterie ou remplacez-la.

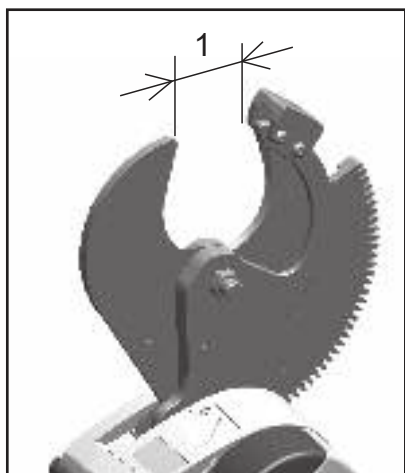
Opérations de coupe

1. [DTC100]
Actionnez le commutateur pour ouvrir la lame mobile.

Utilisez les commutateurs du mode marche avant et marche arrière pour mettre la lame mobile au point mort.

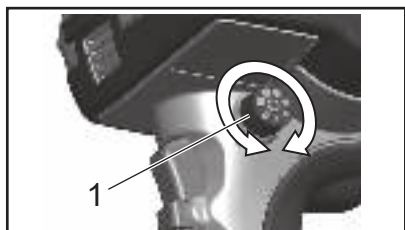


1. [DTC101]
Assurez-vous que l'ouverture est suffisante. Assurez-vous que l'ouverture est suffisamment grande pour poser un câble. Si l'ouverture est trop étroite, appuyez sur le commutateur du mode marche arrière pour l'ouvrir.



► 1. Ouverture

2. Utilisation du bouton gradué pour activer ou désactiver l'inversion automatique
Réglez le bouton sur la position souhaitée pour activer l'inversion automatique ou sur Arrêt pour la désactiver.

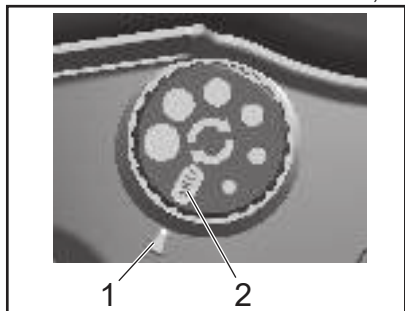


► 1. Bouton gradué

Fonction d'inversion automatique

Lorsque l'inversion automatique est activée, le moteur freine après avoir coupé un câble. Une fois que le commutateur du mode marche avant est relâché, la lame mobile revient automatiquement comme défini par le bouton gradué.

L'ouverture peut être réglée entre 6 niveaux. (La valeur d'ouverture est fournie à titre indicatif.)

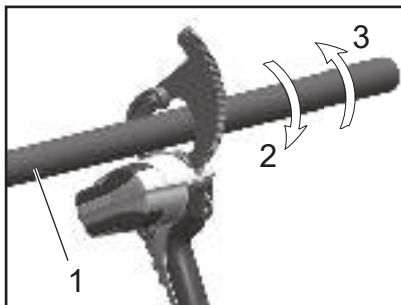


► 1. Valeur d'ouverture 2. Arrêt

⚠ ATTENTION :

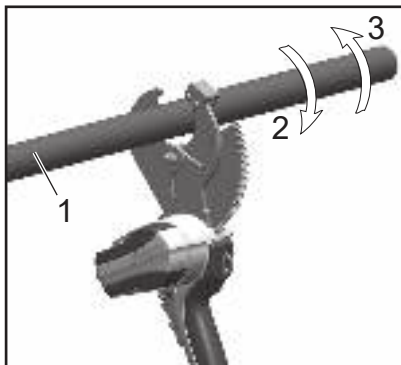
- L'inversion automatique ne s'active pas si le commutateur du mode marche avant est relâché avant de terminer la coupe.
- L'inversion automatique ne s'active pas avec un câble électrique fin de 60 mm² ou moins.
- Le diamètre de l'ouverture peut varier en fonction de la tension restante de la batterie.

3. [DTC100]
Insertion du câble électrique dans l'ouverture de la lame mobile
Placez le câble à couper sur la lame fixe et refermez la lame mobile autour du câble. Faites avancer la lame mobile à la main de manière à ce que la denture de pignon s'engage dans le mécanisme d'entraînement de l'unité.



► 1. Câble 2. Rotation de coupe
3. Rotation inverse

3. [DTC101]
Insertion du câble électrique dans l'ouverture de la lame mobile
Placez le câble à couper dans l'ouverture de la lame mobile et sur le côté de la lame fixe.



► 1. Câble 2. Rotation de coupe
3. Rotation inverse

4. Actionnement du commutateur du mode marche avant et découpe d'un câble électrique
Maintenez le commutateur du mode marche avant enfoncé jusqu'à ce que la coupe soit terminée.
5. Élimination des débris après la coupe.
Une fois la coupe terminée, retirez tous les rebuts ou débris présents sur la lame.

⚠ ATTENTION :

• **Fonctionnement prolongé**

Pour protéger le moteur, arrêtez d'utiliser l'outil lorsque la zone autour de l'étiquette d'avertissement devient chaude. Pour continuer à utiliser l'outil, placez-le pendant 50 minutes dans un endroit frais et bien aéré jusqu'à ce qu'il refroidisse.

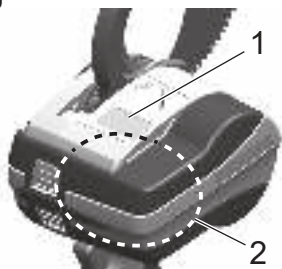
- **La protection contre les surintensités/surcharges peut également être activée même pendant le fonctionnement de l'outil dans les limites de la capacité de coupe.**

La température de fonctionnement, la longueur du câble, la courbure et d'autres facteurs affectent les performances de l'outil.

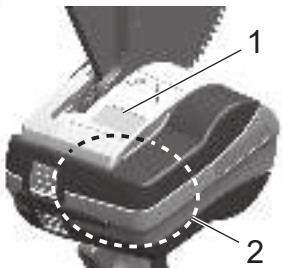
- **Si la lumière LED clignote 6 fois ou plus, il s'agit d'un affichage d'erreur sur la carte de circuit imprimé.**

Veillez contacter votre revendeur.

DTC100



DTC101



- ▶ 1. Étiquette d'avertissement
- ▶ 2. Zone d'avertissement de chaleur élevée

⚠ ATTENTION :

- **DTC100 et DTC101 sont conçus pour être utilisés avec des câbles en cuivre et en aluminium uniquement. N'utilisez pas ces outils pour l'acier, les câbles en aluminium renforcé d'acier (ACSR) ou d'autres matériaux en acier.**

Fonction de protection contre les surintensités

En cas d'une surcharge du courant en raison de la coupe d'un câble en dehors des spécifications, la fonction de protection contre les surintensités s'active et arrête le moteur. Pour rétablir l'alimentation, relâchez le commutateur du mode marche avant.

Remplacement avec des pièces de rechange (DTC100)

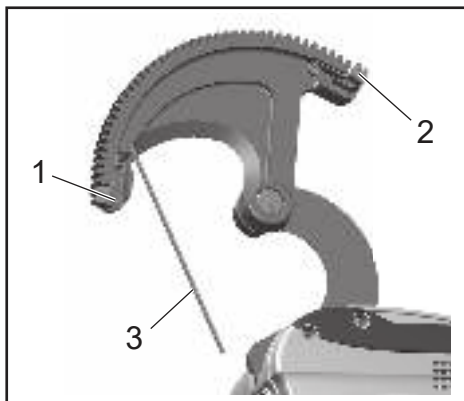
Pour remplacer vous-même le guide de pignon, procédez comme indiqué ci-dessous.

⚠ ATTENTION :

- Assurez-vous de retirer la batterie de l'unité principale avant de remplacer le guide de pignon.
- Si le guide de pignon est endommagé ou émet un bruit anormal, remplacez-le immédiatement. Si vous continuez à utiliser le produit avec un guide de pignon endommagé, vous risquez d'endommager les pignons internes.

Remplacement du guide de pignon

1. Retrait du guide de pignon
À l'aide d'une clé hexagonale, dévissez le boulon à six pans creux (M3 × 3) et retirez le guide de pignon.
2. Pose du guide de pignon
Posez le guide de pignon neuf et serrez fermement le boulon.



- 1. Guide de pignon (A) 2. Guide de pignon (B)
3. Clé hexagonale

Remplacement avec des pièces de rechange (DTC101)

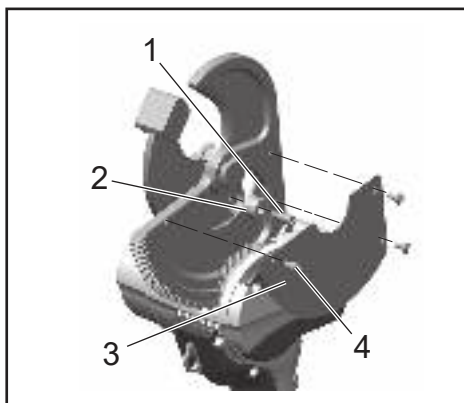
Pour remplacer vous-même la butée, procédez comme indiqué ci-dessous.

⚠ ATTENTION :

- Assurez-vous de retirer la batterie de l'unité principale avant de remplacer la butée.

Remplacement de la butée

1. Retirez les vis à tête cylindrique bombée à empreinte cruciforme, la plaque et le boulon à épaulement (37), puis retirez la butée.
2. Fixez la butée neuve avec le boulon à épaulement, appliquez du frein filet sur la vis, puis serrez complètement.
3. Fixez la plaque et vissez les vis à tête cylindrique bombée à empreinte cruciforme.

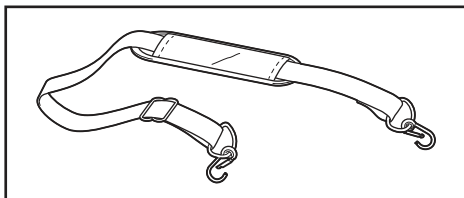


- 1. Boulon à épaulement (37) 2. Butée 3. Plaque
4. Vis à tête cylindrique bombée à empreinte cruciforme

Accessoires en option

• Sangle d'épaule (161347-8)

Cette bandoulière est utilisée en la raccordant à la sangle de suspension de cet outil.



Entretien/inspection

- Sachez que ne pas effectuer quotidiennement l'entretien/inspection peut entraîner un dysfonctionnement de l'outil.
- Veuillez éviter de ranger l'outil dans un environnement humide pour garantir son bon fonctionnement et éviter la rouille.
- Si l'outil est endommagé en cours d'utilisation normale (10 000 opérations ou plus, 1 000 coupes ou plus), ne reprenez pas le fonctionnement simplement après avoir remplacé la pièce endommagée uniquement, car il a atteint la fin de sa vie utile.
- Lorsqu'une pièce en résine est sale, essuyez-la à l'aide d'un chiffon doux imbibé d'eau savonneuse.
- Lors du rangement de la batterie, veillez à placer le cache-bornes fourni en accessoire sur la borne pour éviter tout court-circuit.
- Pour l'inspection de sécurité, nous recommandons de confier l'outil au fabricant environ une fois tous les deux ans (moyennant des frais). Contactez votre revendeur pour en savoir plus.

Spécifications

Coupe câble sans fil	DTC100	DTC101
Diamètre maximum pouvant être coupé	Matériaux non ferreux uniquement (AL ou Cu)	
	φ50 mm (brin Cu φ30 mm/brin Al φ38 mm)	
Moteur électrique	Moteur CC	
Dimensions	117 (P) × 320 (H) × 197 (L) (mm)	117 (P) × 380 (H) × 189 (L) (mm)
Poids	2,2 kg	2,9 kg

⚠ ATTENTION :

- **DTC100 et DTC101 sont conçus pour être utilisés avec des câbles en cuivre et en aluminium uniquement. N'utilisez pas ces outils pour l'acier, les câbles en aluminium renforcé d'acier (ACSR) ou d'autres matériaux en acier.**

Déclarations de conformité

Pour les pays européens uniquement

Les déclarations de conformité sont fournies en Annexe A à ce mode d'emploi.

DEUTSCH: Original-Anleitung

⚠️ WARNUNG: Bitte lesen und verstehen Sie alle Anweisungen und Sicherheitshinweise in dieser Betriebsanleitung und den Anweisungen. Die Verwendung für nicht vorgesehene Anwendungen kann zu schweren Verletzungen oder zum Tod führen.

- Vielen Dank, dass Sie sich für unseren Akku-Kabelschneider entschieden haben.
- Bitte lesen Sie diese Betriebsanleitung sorgfältig durch, bevor Sie das Gerät in Betrieb nehmen. Bewahren Sie diese Betriebsanleitung nach dem Lesen an einem leicht zugänglichen Ort auf.
- **Beschreibung**
Die mechanischen Schneidgeräte sind batteriebetriebene Schneidgeräte zum Schneiden von Kabeln, die heute in der Industrie verwendet werden.

Sicherheitshinweise

⚠️ WARNUNG: Lesen Sie alle Sicherheitswarnungen und Anweisungen durch. Die Nichtbeachtung der Warnhinweise und Anweisungen kann zu einem elektrischen Schlag, Brand und/oder schweren Verletzungen führen.

Bewahren Sie alle Warnungen und Anweisungen für spätere Bezugnahme auf.

⚠️ WARNUNG: Der Benutzer kann getötet oder schwer verletzt werden, wenn dieses Produkt falsch verwendet wird.

1) Sicherheit im Arbeitsbereich

- a) Halten Sie den Arbeitsbereich sauber und gut beleuchtet. Unaufgeräumte oder dunkle Bereiche führen zu Unfällen.
- b) Betreiben Sie Elektrowerkzeuge nicht in explosiven Umgebungen, wie z. B. in Gegenwart von brennbaren Flüssigkeiten, Gasen oder Staub. Elektrowerkzeuge erzeugen Funken, die den Staub oder die Dämpfe entzünden können.
- c) Halten Sie Kinder und Umstehende während der Benutzung eines Elektrowerkzeugs vom Arbeitsbereich fern. Ablenkungen können dazu führen, dass Sie die Kontrolle verlieren.

2) Elektrische Sicherheit

- a) Der Stecker des Elektrowerkzeugs muss an die Steckdose angepasst sein. Der Stecker darf auf keinen Fall in irgendeiner Form abgeändert werden. Verwenden Sie keine Adapterstecker mit geerdeten Elektrowerkzeugen. Vorschriftsmäßige Stecker und passende Buchsen reduzieren die Stromschlaggefahr.
- b) Vermeiden Sie Körperkontakt mit geerdeten Gegenständen, wie z. B. Rohre, Kühler, Herde und Kühlschränke. Es besteht erhöhte Stromschlaggefahr, falls Ihr Körper Erdkontakt hat.
- c) Setzen Sie Elektrowerkzeuge keinem Regen oder Nässe aus. Wasser, das in ein Elektrowerkzeug eindringt, erhöht die Stromschlaggefahr.

- d) Missbrauchen Sie das Kabel nicht. Benutzen Sie das Kabel niemals zum Tragen, Ziehen oder Abtrennen des Elektrowerkzeugs. Halten Sie das Kabel von Hitze, Öl, scharfen Kanten oder beweglichen Teilen fern. Ein beschädigtes oder verheddertes Kabel erhöht die Stromschlaggefahr.
- e) Wenn Sie ein Elektrowerkzeug im Freien betreiben, verwenden Sie ein für Freiluftbenutzung geeignetes Verlängerungskabel. Die Verwendung eines für Freiluftbenutzung geeigneten Kabels reduziert die Stromschlaggefahr.
- f) Lässt sich der Einsatz eines Elektrowerkzeugs in feuchter Umgebung nicht vermeiden, verwenden Sie eine Stromversorgung, die mit einer Fehlerstrom-Schutzeinrichtung (RCD) geschützt ist. Der RCD verringert die Gefahr eines elektrischen Schlags.

3) Persönliche Sicherheit

- a) Bleiben Sie wachsam, und lassen Sie beim Umgang mit einem Elektrowerkzeug Vorsicht und gesunden Menschenverstand walten. Benutzen Sie keine Elektrowerkzeuge, wenn Sie müde sind oder unter dem Einfluss von Drogen, Alkohol oder Medikamenten stehen. Ein Augenblick der Unachtsamkeit während der Benutzung von Elektrowerkzeugen kann zu schweren Verletzungen führen.
- b) Benutzen Sie persönliche Schutzausrüstung. Tragen Sie stets einen Augenschutz. Sachgemäßer Gebrauch von Schutzausrüstung (z. B. Staubmaske, rutschfeste Sicherheitsschuhe, Helm und Gehörschutz) trägt zu einer Reduzierung der Verletzungsgefahr bei.
- c) Verhüten Sie unbeabsichtigtes Einschalten. Vergewissern Sie sich, dass sich der Ein-Aus-Schalter in der Aus-Stellung befindet, bevor Sie die Stromquelle und/oder den Akku anschließen bzw. das Werkzeug aufheben oder tragen. Das Tragen von Elektrowerkzeugen mit dem Finger am Ein-Aus-Schalter oder das Anschließen bei eingeschaltetem Ein-Aus-Schalter führt zu Unfällen.

- d) Etwaige Einstell- oder Schraubenschlüssel sind vor dem Einschalten des Elektrowerkzeugs zu entfernen. Ein Schrauben- oder Einstellschlüssel, der auf einem rotierenden Teil des Elektrowerkzeugs stecken gelassen wird, kann zu einer Verletzung führen.
 - e) Übernehmen Sie sich nicht. Achten Sie bei der Arbeit stets auf sicheren Stand. Sie haben dann in unerwarteten Situationen eine bessere Kontrolle über das Elektrowerkzeug.
 - f) Tragen Sie zweckmäßige Kleidung. Tragen Sie keine lose Kleidung oder Schmuck. Halten Sie Haare, Kleidung und Handschuhe von beweglichen Teilen fern. Lose Kleidung, Schmuck oder langes Haar kann sich in beweglichen Teilen verfangen.
 - g) Wenn Anschlussvorrichtungen für Staubabsaug- und Staubsammelgeräte vorhanden sind, sollten diese montiert und sachgerecht verwendet werden. Durch Staubabsaugung können staubbezogene Gefahren reduziert werden.
 - h) Lassen Sie nicht zu, dass Sie aufgrund der Vertrautheit, die Sie durch häufigen Gebrauch von Werkzeugen erworben haben, selbstzufrieden werden und die Sicherheitsprinzipien der Werkzeuge missachten. Eine achtlose Handlung kann innerhalb von Sekundenbruchteilen schwere Verletzungen verursachen.
- g) Benutzen Sie das Elektrowerkzeug, das Zubehör und die Werkzeugeinsätze usw. gemäß diesen Anweisungen unter Berücksichtigung der Arbeitsbedingungen und der durchzuführenden Arbeit.
Unschlagmäßiger Gebrauch des Elektrowerkzeugs kann zu einer Gefahrensituation führen.
 - h) Halten Sie Handgriffe und Griffflächen trocken, sauber und frei von Öl und Schmierfett. Rutschige Handgriffe und Griffflächen gestatten keine sichere Handhabung und Kontrolle des Werkzeugs in unerwarteten Situationen.

5) Gebrauch und Pflege von Akkuwerkzeugen

- a) Laden Sie die Akkus nur mit dem vom Hersteller vorgeschriebenen Ladegerät. Ein Ladegerät, das für einen bestimmten Akkutyp geeignet ist, kann bei Verwendung mit einem anderen Akku eine Brandgefahr darstellen.
 - b) Benutzen Sie Elektrowerkzeuge nur mit den ausdrücklich vorgeschriebenen Akkus. Bei Verwendung irgendwelcher anderer Akkus besteht Verletzungs- und Brandgefahr.
 - c) Bewahren Sie den Akku bei Nichtgebrauch nicht zusammen mit Metallgegenständen, wie Büroklammern, Münzen, Schlüsseln, Nägeln, Schrauben, und anderen kleinen Metallteilen auf, welche die Kontakte kurzschließen können. Kurzschließen der Akkukontakte kann Verbrennungen oder einen Brand verursachen.
 - d) Bei Missbrauch kann Flüssigkeit aus dem Akku austreten; vermeiden Sie Kontakt mit dieser Flüssigkeit. Falls Sie versehentlich mit der Flüssigkeit in Berührung kommen, spülen Sie die betroffenen Stellen mit Wasser ab. Falls die Flüssigkeit in die Augen gelangt, suchen Sie zusätzlich ärztliche Hilfe auf.
Die vom Akku austretende Flüssigkeit kann Hautreizungen oder Verätzungen verursachen.
 - e) Verwenden Sie keinen Akku und auch kein Werkzeug, der (das) beschädigt oder modifiziert ist. Beschädigte oder modifizierte Akkus können unvorhersehbares Verhalten zeigen, das zu einem Brand, einer Explosion oder Verletzungsgefahr führen kann.
 - f) Setzen Sie einen Akku oder ein Werkzeug nicht Feuer oder übermäßigen Temperaturen aus. Bei Einwirkung von Feuer oder Temperaturen über 130 °C kann es zu einer Explosion kommen.
 - g) Befolgen Sie alle Ladeanweisungen, und laden Sie den Akku bzw. das Werkzeug nicht außerhalb des in den Anweisungen angegebenen Temperaturbereichs. Wird der Ladevorgang unsachgemäß oder bei Temperaturen außerhalb des angegebenen Bereichs durchgeführt, kann es zu einer Beschädigung des Akkus und erhöhter Brandgefahr kommen.
- ## 4) Gebrauch und Pflege von Elektrowerkzeugen
- a) Setzen Sie Elektrowerkzeuge keiner Gewaltanwendung aus. Verwenden Sie das korrekte Elektrowerkzeug für Ihre Anwendung. Ein korrektes Elektrowerkzeug verrichtet die anstehende Arbeit bei sachgemäßer Handhabung besser und sicherer.
 - b) Benutzen Sie das Elektrowerkzeug nicht, wenn es sich nicht mit dem Ein-Aus-Schalter ein- und ausschalten lässt. Ein Elektrowerkzeug, das nicht auf die Schalterbetätigung reagiert, ist gefährlich und muss repariert werden.
 - c) Trennen Sie den Stecker von der Stromquelle und/ oder den Akku vom Elektrowerkzeug, bevor Sie Einstellungen durchführen, Zubehör auswechseln oder das Elektrowerkzeug lagern. Solche vorbeugenden Sicherheitsmaßnahmen reduzieren die Gefahr eines versehentlichen Einschaltens des Elektrowerkzeugs.
 - d) Bewahren Sie unbenutzte Elektrowerkzeuge außer Reichweite von Kindern auf, und lassen Sie nicht zu, dass Personen, die nicht mit dem Elektrowerkzeug über diesen Anweisungen vertraut sind, das Elektrowerkzeug benutzen. Elektrowerkzeuge in den Händen unerfahrener Benutzer sind gefährlich.
 - e) Halten Sie Elektrowerkzeuge und Zubehörteile instand. Überprüfen Sie Elektrowerkzeuge auf Fehlausrichtung oder Klemmen beweglicher Teile, Beschädigung von Teilen und andere Zustände, die ihren Betrieb beeinträchtigen können. Lassen Sie das Elektrowerkzeug bei Beschädigung vor Gebrauch reparieren. Viele Unfälle werden durch schlecht gewartete Elektrowerkzeuge verursacht.
 - f) Halten Sie Schneidwerkzeuge scharf und sauber. Gut instand gehaltene Schneidwerkzeuge mit scharfen Schneiden sind weniger anfällig für Klemmen und lassen sich leichter handhaben.
- ## 6) Wartung
- a) Lassen Sie Ihr Elektrowerkzeug nur unter Verwendung identischer Ersatzteile von einem qualifizierten Wartungstechniker warten. Dadurch wird die Aufrechterhaltung der Sicherheit des Elektrowerkzeugs gewährleistet.

- b) Beschädigte Akkus dürfen auf keinen Fall gewartet werden. Die Wartung von Akkus darf nur vom Hersteller oder von einer Vertragswerkstatt durchgeführt werden.

Halten Sie das Elektrowerkzeug nur an den isolierten Griffflächen, wenn Sie Arbeiten ausführen, bei denen die Gefahr besteht, dass das Befestigungselement verborgene Kabel kontaktiert. Bei Kontakt mit einem Strom führenden Kabel können die freiliegenden Metallteile des Elektrowerkzeugs ebenfalls Strom führend werden, so dass der Benutzer einen elektrischen Schlag erleiden kann.

Verwenden Sie ein Original-Ladegerät und einen Original-Akku von Makita.

- Verwenden Sie einen Original-Akku für dieses Werkzeug.
- Laden Sie den Akku nicht mit einem anderen Ladegerät auf. Bei Nichtbeachtung kann es zu einem Bruch kommen, der zu einem Unfall oder einer Verletzung führen kann.

Laden Sie den Akku in korrekter Weise auf.

- Verwenden Sie für den Anschluss des mit diesem Produkt gelieferten Ladegeräts eine Stromquelle mit Leistungsangabe.
- Verwenden Sie zum Aufladen des Akkus keine Gleichstromquelle oder einen motorbetriebenen Stromgenerator. Bei Nichtbeachtung kann es zu übermäßiger Hitzeentwicklung kommen, die zu einem Brand führen kann.
- Wenn die Temperatur der Umgebung, des Akkus oder des Ladegeräts weniger als 0°C oder mehr als 40°C beträgt, darf der Akku nicht geladen werden. Bei Nichtbeachtung kann es zu einem Bruch oder Brand kommen.
- Wählen Sie zum Aufladen des Akkus einen gut belüfteten Ort.
- Decken Sie den Akku während des Ladevorgangs nicht mit einem Tuch ab. Bei Nichtbeachtung kann es zu einem Bruch oder Brand kommen.
- Ziehen Sie nach dem Aufladen unbedingt den Netzstecker.
Bei Nichtbeachtung kann ein elektrischer Schlag oder ein Brand verursacht werden.

Richten Sie den Schneider während des Gebrauchs nicht auf Personen.

- Bei Nichtbeachtung kann es zu Verletzungen kommen.

Unterlassen Sie Kurzschließen der Kontakte am Akku.

- Wenn der Akku allein gelagert wird, schützen Sie die Kontakte unbedingt mit der Kontaktabdeckung, um einen Kurzschluss zu verhindern. Stellen Sie sicher, dass die Akkukontakte nicht durch andere Metallteile wie Schrauben, Nägel usw. kurzgeschlossen werden.

Setzen Sie den Akku keinen Flammen aus.

- Bei Nichtbeachtung kann dies einen Bruch oder das Austreten eines gefährlichen Stoffes verursachen.

Nicht an stromführenden Teilen verwenden.

- Das Werkzeug ist nicht isoliert. Die Verwendung an elektrifizierten Orten kann zu einem Stromschlag führen.

- Berühren Sie den Netzstecker oder den Akku nicht mit nassen Händen. Bei Nichtbeachtung kann es zu einem elektrischen Schlag kommen.

Nehmen Sie den Akku unter folgenden Umständen vom Hauptteil des Werkzeugs ab.

- Bei Nichtgebrauch oder zur Reparatur
- Beim Austausch von Ersatzteilen
- Zu anderen Zeiten, wenn Gefahr vermutet wird
Bei Nichtbeachtung dieser Warnhinweise kann sich das Werkzeug versehentlich einschalten und Verletzungen verursachen.

Unerwartetes Starten des Werkzeugs.

- Achten Sie darauf, dass die Finger beim Bewegen des Werkzeugs weit vom Abzug entfernt sind. Das unerwartete Starten des Werkzeugs kann zu Verletzungen führen.

Verwenden Sie nur das angegebene Zubehör.

- Verwenden Sie kein anderes als das in dieser Betriebsanleitung oder in unserem Katalog angegebene Zubehör. Bei Nichtbeachtung kann es zu einem Unfall oder einer Verletzung kommen.

Benutzen Sie Schutzausrüstung.

- Tragen Sie während des Betriebs eine Schutzbrille. Verwenden Sie bei staubigem Betrieb eine Schutzmaske. Beim Schneiden können kleine Teile verstreut werden und Verletzungen verursachen.

Starren Sie nicht in das LED-Arbeitslicht.

- Es kann das Sehvermögen verschlechtern.

Berücksichtigen Sie die Arbeitsumgebung.

- Verwenden Sie das Werkzeug, das Ladegerät oder den Akku nicht im Regen oder an einem nassen oder feuchten Ort. Bei Nichtbeachtung kann dies einen elektrischen Schlag oder eine Rauchentwicklung verursachen.
- Führen Sie die Arbeit an einem ausreichend hellen Ort durch. Die Arbeit an einem dunklen Ort kann zu Unfällen führen.
- Benutzen oder laden Sie den Akku nicht in der Nähe von entflammaren Flüssigkeiten oder Gasen. Bei Nichtbeachtung kann es zu einer Explosion oder einem Brand kommen.

Halten Sie den Arbeitsplatz stets sauber.

- Unordentliche Plätze und Bänke können einen Unfall verursachen.

Halten Sie Kinder vom Werkzeug fern.

- Lassen Sie keine anderen Personen als die Bediener das Werkzeug und das Kabel des Ladegeräts berühren. Halten Sie Personen vom Arbeitsplatz fern. Bei Nichtbeachtung besteht Verletzungsgefahr.

Wenn Sie das Werkzeug nicht benutzen, lagern Sie es ordnungsgemäß.

- Bewahren Sie das Werkzeug an einem Ort mit geringer Luftfeuchtigkeit und an einem hohen, für Kinder unzugänglichen oder verschließbaren Ort auf. Bei Nichtbeachtung kann es zu einem Unfall kommen.

- Bewahren Sie das Werkzeug oder den Akku nicht an einem Ort auf, an dem die Temperatur auf 40 °C oder mehr ansteigen kann (in einer Metallbox, in einem Auto im Sommer usw.). Bei Nichtbeachtung kann der Akku beschädigt werden, was zu Rauchentwicklung oder Entzündung führen kann.

Benutzen Sie das Werkzeug nicht in unangemessener Weise.

- Führen Sie die Arbeiten entsprechend der Kapazität des Werkzeugs durch, um einen sicheren und effizienten Betrieb zu gewährleisten. Die Verwendung des Werkzeugs über seine Kapazität hinaus kann einen Unfall verursachen.
- Benutzen Sie das Werkzeug nicht in einer Weise, die eine Blockierung des Motors verursacht. Bei Nichtbeachtung kann es zu einer Rauchentwicklung oder Entzündung kommen.

Verwenden Sie ein für den Betrieb geeignetes Werkzeug.

- Verwenden Sie das Werkzeug nur für die angegebenen Anwendungen. Bei Nichtbeachtung besteht Verletzungsgefahr.

Führen Sie den Betrieb mit angemessener Kleidung durch.

- Tragen Sie keine weite Kleidung oder Accessoires wie eine Halskette. Solche Dinge können sich in einem beweglichen oder rotierenden Teil oder dergleichen verfangen.
- Bei Arbeiten im Freien wird die Verwendung von Gummihandschuhen und rutschfesten Schuhen empfohlen. Schlüpfrige Handschuhe und Schuhe können zu Verletzungen führen.
- Wenn Sie lange Haare haben, verwenden Sie eine Mütze oder einen Haarschutz, um Ihr Haar zu bedecken. Bei Nichtbeachtung kann es dazu kommen, dass sich Ihr Haar in einem sich bewegenden oder drehenden Teil oder dergleichen verfängt.

Betreiben Sie das Werkzeug nicht in einer unnatürlichen Körperhaltung.

- Achten Sie stets auf einen sicheren Stand, und bewahren Sie Ihr Gleichgewicht. Bei Nichtbeachtung können Sie umkippen, was zu Verletzungen führen kann.

Bleiben Sie wachsam, wenn Sie mit großer Aufmerksamkeit arbeiten.

- Achten Sie bei der Verwendung des Werkzeugs auf die Art der Handhabung, die Arbeitsweise und die Umgebungsbedingungen, und führen Sie die Arbeit sorgfältig aus. Bei Nichtbeachtung kann es zu Unfällen oder Verletzungen kommen.
- Betreiben Sie das Werkzeug nicht unter dem Einfluss von Alkohol. Bei Nichtbeachtung kann es zu Unfällen oder Verletzungen kommen.
- Bedienen Sie das Werkzeug nicht, wenn Sie in schlechter körperlicher Verfassung sind. Bei Nichtbeachtung kann es zu Unfällen oder Verletzungen kommen.

Behandeln Sie das Kabel des Ladegeräts nicht grob.

- Tragen Sie das Ladegerät nicht am Kabel, und trennen Sie es nicht von der Steckdose durch Ziehen am Kabel.

- Halten Sie das Kabel von Hitze, Öl und scharfen Kanten fern.
- Vergewissern Sie sich, dass Sie beim Laden nicht auf das Kabel treten oder darüber stolpern können. Bei Nichtbeachtung besteht die Gefahr eines elektrischen Schlags oder eines Kurzschlusses, der zu einer Entzündung führen kann.

Verwenden Sie ein für den Außenbereich geeignetes Verlängerungskabel.

- Wenn Sie das Werkzeug im Freien verwenden, sollten Sie ein Verlängerungskabel aus robustem, gummiummanteltem Kabel verwenden.

Führen Sie die Wartung des Wartungs sorgfältig durch.

- Beachten Sie beim Auswechseln von Ersatzteilen die Gebrauchsanleitung. Bei Nichtbeachtung besteht Verletzungsgefahr.
- Überprüfen Sie das Kabel des Ladegeräts in regelmäßigen Abständen. Falls das Kabel beschädigt ist, lassen Sie es von einer Vertragswerkstatt reparieren. Bei Nichtbeachtung besteht die Gefahr eines elektrischen Schlags oder eines Kurzschlusses, der zu einer Entzündung führen kann.
- Wenn Sie ein Verlängerungskabel verwenden, überprüfen Sie dieses regelmäßig. Falls das Kabel beschädigt ist, tauschen Sie es gegen ein neues aus. Bei Nichtbeachtung besteht die Gefahr eines elektrischen Schlags oder eines Kurzschlusses, der zu einer Entzündung führen kann.
- Halten Sie den Griff stets trocken und sauber, und halten Sie ihn von Öl und Schmierfett fern. Bei Nichtbeachtung besteht Verletzungsgefahr.

Auf beschädigte Teile überprüfen.

- Vergewissern Sie sich vor der Benutzung, dass nichts beschädigt ist. Vergewissern Sie sich, dass das Werkzeug normal arbeitet und alle Komponenten ordnungsgemäß funktionieren.
- Überprüfen Sie die Ausrichtung der beweglichen Teile, die Leichtgängigkeit der beweglichen Teile, den Bruch von Teilen, die Montage und alle anderen Bedingungen, die den Betrieb beeinträchtigen könnten.
- Verwenden Sie kein Ladegerät, dessen Netzstecker oder Kabel beschädigt ist oder das fallen gelassen und dann beschädigt wurde. Bei Nichtbeachtung besteht die Gefahr eines elektrischen Schlags oder eines Kurzschlusses, der zu einer Entzündung führen kann. Wenn es beschädigt ist, muss es von einem autorisierten Kundendienst repariert oder ersetzt werden, sofern in dieser Betriebsanleitung nichts anderes angegeben ist. Lassen Sie fehlerhafte Schalter von einer Vertragswerkstatt auswechseln. Benutzen Sie das Werkzeug nicht, wenn es sich nicht mit dem Ein-Aus-Schalter ein- und ausschalten lässt. Ein solches Werkzeug kann nicht ordnungsgemäß funktionieren, was zu Verletzungen führen kann.

Wenden Sie sich zur Reparatur an eine Vertragswerkstatt.

- Unterlassen Sie Zerlegen, Reparieren oder Modifizieren des Hauptgeräts, des Ladegeräts oder des Akkus. Bei Nichtbeachtung kann eine Zündung oder ein anomaler Betrieb verursacht werden, was zu Verletzungen führen kann.

- Wenn das Werkzeug heiß wird oder eine Anomalie am Werkzeug festgestellt wird, verlangen Sie eine Überprüfung oder Reparatur des Werkzeugs.
- Dieses Werkzeug ist nach den einschlägigen Sicherheitsvorschriften gebaut. Versuchen Sie nicht, dieses Produkt zu modifizieren.
- Lassen Sie Ihr Werkzeug von einem autorisierten Service-Center reparieren. Reparaturen sollten nur von einer qualifizierten Person unter Verwendung von Original-Ersatzteilen durchgeführt werden, da sonst erhebliche Gefahren für den Benutzer entstehen können.

Vorsichtsmaßnahmen bei der Benutzung des Akku-Kabelschneiders

- Befolgen Sie bei der Benutzung dieses Werkzeugs die nachstehenden Anweisungen:

Vorsichtsmaßnahmen für das Werkzeug

- **Schneiden Sie niemals etwas, das die maximale Schneidkapazität überschreitet.**

Seien Sie vorsichtig, denn die Nichtbeachtung kann zu Schäden führen. (siehe Seite 50)

- **Berühren Sie nicht die Schneide des Schwingmessers oder Gegenmessers.**

Bei Nichtbeachtung besteht Verletzungsgefahr.

- **Durchtrennen Sie niemals stromführende Leitungen (elektrische Kabel, die Strom leiten).**

- **Lassen Sie das Produkt nicht fallen, und setzen Sie es keinen übermäßigen Stößen aus.**

Die innere Struktur wurde präzise gefertigt, um sie kompakt und leicht zu machen, so dass sie bei einem Aufprall möglicherweise nicht richtig funktioniert.

- **Nicht im Regen benutzen.**

Anderenfalls kann das Messer rosten, und die Schneide kann stumpf oder beschädigt werden.

- **Schneiden Sie keine Überlängen von 50 mm oder weniger ab.**

Wenn Sie die Enden von CCP- und anderen Kabeln extrem kurz abschneiden, kann dies dazu führen, dass die Innenseite des Kabels usw. durchtrennt wird.

- **Wenden Sie keine Kraft gegen die Schnittrichtung an.**

Schneiden Sie Materialien immer gerade. Bei Nichtbeachtung kann das Schneidmesser beschädigt werden.

- **Gut festhalten.**

Bei Nichtbeachtung besteht Verletzungsgefahr.

- **Vergewissern Sie sich, dass sich niemand unter Ihnen befindet, bevor Sie das Werkzeug an einem hoch gelegenen Ort benutzen.**

Bei Nichtbeachtung kann es zu Unfällen kommen, wenn Materialien oder das Gerät fallen gelassen werden usw.

- **Prüfen Sie vor der Benutzung, dass keine Abnormalitäten vorliegen.**

Risse oder Brüche am Schneider können den Schneider beschädigen und zu Verletzungen führen.

- **Legen Sie während der Arbeit Pausen ein.**

Längeres Schneiden ohne Pausen sorgt für eine erhöhte Motorwärme, die den Motor und den Akku überhitzen und zu Schäden führen kann. Achten Sie darauf, dass Sie während der Arbeit gelegentlich Pausen einlegen.

- **Niedrige Umgebungstemperaturen (10 °C oder weniger) können dazu führen, dass sich das Elektrokabel verhärtet, was das Schneiden erschwert, auch wenn es im Rahmen der Schneidkapazität liegt.**

- **Nach jedem Gebrauch mit Luft usw. reinigen.**

Achten Sie darauf, dass durch die Öffnung (Schwingmessertreiber) kein Schnittgut oder andere Abfälle in das Gerät gelangen.

- **Schneiden Sie keine elektrischen Kabel mit einem Drahtdurchmesser von 1 mm.**

Bei Nichtbeachtung kann sich das Schneidblatt im Messer des Stromkabels verfangen und blockieren.

Vorsichtsmaßnahmen bei der Verwendung des Akkus

- Schließen Sie die Kontakte niemals kurz.

- Halten Sie den Akku von Wasser, Öl und organischen Lösungsmitteln fern.

- Unterlassen Sie Zerlegen oder Modifizieren des Akkus.

- Wenn der Akku entsorgt wird, setzen Sie ihn keinen Flammen aus, und entsorgen Sie ihn nicht im Hausmüll. (Wir fördern das Recycling.)

- Unterlassen Sie Werfen oder Fallenlassen des Akkus.

- Lassen Sie den Akku nicht über einen längeren Zeitraum an einem Ort liegen, an dem die Temperatur 40 °C oder mehr beträgt.

- Achten Sie darauf, dass die Akkukontakte nicht durch Schmutz oder Staub kurzgeschlossen werden, da dies zu Fehlfunktionen führt. Ein Akku mit korrodierten Kontakten darf nicht verwendet werden.

- Um die Lebensdauer des Akkus zu verlängern, ist er mit einer Schutzfunktion ausgestattet, die die Ausgabe stoppt. Bei niedrigem Akkustand kann der Motor stehen bleiben, selbst wenn der Betriebsschalter während der Benutzung des Werkzeugs gedrückt wird. Dieses Phänomen ist jedoch nicht auf eine Fehlfunktion, sondern auf die Schutzfunktion zurückzuführen. Laden Sie in einem solchen Fall den Akku sofort auf.

Vorsichtsmaßnahmen für das Ladegerät

- Dieses Ladegerät verfügt über eine Anzeigelampe (mehrfarbige LED), die den Ladezustand des Akkus anzeigt.
- Achten Sie darauf, dass das Ladegerät nicht durch Schmutz oder Staub im Einführschlitz kurzgeschlossen wird, da dies zu Fehlfunktionen führt. Ein Ladegerät mit korrodierten Metallkontakten darf nicht benutzt werden.

WARNSYMBOLE



Lesen Sie vor der Benutzung des Werkzeugs die Anweisungen in diesem Handbuch sorgfältig durch.



Um den Motor zu schützen, darf er nicht verwendet werden, wenn der Hitze-Warnbereich heiß wird. (siehe Seite 48)

Hitze-Warnbereich



Während des Betriebs nicht berühren.

Symbole



Nur für EU-Länder
Aufgrund des Vorhandenseins gefährlicher Komponenten in der Ausrüstung können Elektro- und Elektronik-Altgeräte, Akkumulatoren und Batterien sich negativ auf die Umwelt und die menschliche Gesundheit auswirken.

Entsorgen Sie Elektro- und Elektronikgeräte oder Batterien nicht mit dem Hausmüll!

In Übereinstimmung mit der Europäischen Richtlinie über Elektro- und Elektronik-Altgeräte, Akkumulatoren und Batterien, verbrauchte Akkumulatoren und Batterien sowie ihrer Anpassung an nationales Recht sollten Elektro-Altgeräte, Batterien und Akkumulatoren gemäß den Umweltschutzbestimmungen getrennt gelagert und zu einer getrennten Sammelstelle für Siedlungsabfälle geliefert werden.

Dies wird durch das am Gerät angebrachte Symbol der durchgestrichenen Abfalltonne auf Rädern angezeigt.

Geräusch

Typischer A-bewerteter Geräuschpegel ermittelt gemäß EN62841-1:

Schalldruckpegel (K=3 dB(A)): 69,5 dB(A)

Schallleistungspegel (K=3 dB(A)): 78,1 dB(A)

HINWEIS: Der (Die) angegebene(n) Schallemissionswert(e) wurde(n) im Einklang mit der Standardprüfmethode gemessen und kann (können) für den Vergleich zwischen Werkzeugen herangezogen werden.

HINWEIS: Der (Die) angegebene(n) Schallemissionswert(e) kann (können) auch für eine Vorbewertung des Gefährdungsgrads verwendet werden.

⚠️ WARNUNG: Einen Gehörschutz tragen.

⚠️ WARNUNG: Die Schallemission während der tatsächlichen Benutzung des Elektrowerkzeugs kann je nach der Benutzungsweise des Werkzeugs, und speziell je nach der Art des bearbeiteten Werkstücks, von dem (den) angegebenen Wert(en) abweichen.

⚠️ WARNUNG: Identifizieren Sie Sicherheitsmaßnahmen zum Schutz des Benutzers anhand einer Schätzung des Gefährdungsgrads unter den tatsächlichen Benutzungsbedingungen (unter Berücksichtigung aller Phasen des Arbeitszyklus, wie z. B. Ausschalt- und Leerlaufzeiten des Werkzeugs zusätzlich zur Betriebszeit).

Schwingungen

Schwingungsgesamtwert (Drei-Achsen-Vektorsumme) ermittelt gemäß EN62841-1:

Griff: 0,3 m/s²

Messunsicherheit (K): 1,5 m/s²

HINWEIS: Der (Die) angegebene(n) Vibrationsgesamtwert(e) wurde(n) im Einklang mit der Standardprüfmethode gemessen und kann (können) für den Vergleich zwischen Werkzeugen herangezogen werden.

HINWEIS: Der (Die) angegebene(n) Vibrationsgesamtwert(e) kann (können) auch für eine Vorbewertung des Gefährdungsgrads verwendet werden.

⚠️ WARNUNG: Die Vibrationsemission während der tatsächlichen Benutzung des Elektrowerkzeugs kann je nach der Benutzungsweise des Werkzeugs, und speziell je nach der Art des bearbeiteten Werkstücks, von dem (den) angegebenen Emissionswert(en) abweichen.

⚠️ WARNUNG: Identifizieren Sie Sicherheitsmaßnahmen zum Schutz des Benutzers anhand einer Schätzung des Gefährdungsgrads unter den tatsächlichen Benutzungsbedingungen (unter Berücksichtigung aller Phasen des Arbeitszyklus, wie z. B. Ausschalt- und Leerlaufzeiten des Werkzeugs zusätzlich zur Betriebszeit).

Zutreffende Akkus und Ladegeräte

Akku	BL1815N / BL1820B / BL1830B / BL1840B / BL1850B / BL1860B
Ladegerät	DC18RC / DC18RD / DC18RE / DC18SD / DC18SE / DC18SF / DC18SH / DC18WC

- Einige der oben aufgelisteten Akkus und Ladegeräte sind je nach Ihrem Wohngebiet eventuell nicht erhältlich.
- Um den Akku zu laden, lesen Sie bitte die Betriebsanleitung des Ladegeräts.

⚠️ WARNUNG: Verwenden Sie nur die oben aufgeführten Akkus und Ladegeräte. Bei Verwendung irgendwelcher anderer Akkus und Ladegeräte besteht Verletzungs- und/oder Brandgefahr.

Wichtige Sicherheitsanweisungen für Akku

1. Lesen Sie vor der Benutzung des Akkus alle Anweisungen und Warnhinweise, die an (1) Ladegerät, (2) Akku und (3) Akkuwerkzeug angebracht sind.
2. Unterlassen Sie Zerlegen oder Manipulieren des Akkus. Es kann sonst zu einem Brand, übermäßiger Hitzeentwicklung oder einer Explosion kommen.
3. Falls die Betriebszeit beträchtlich kürzer geworden ist, stellen Sie den Betrieb sofort ein. Andernfalls besteht die Gefahr von Überhitzung, möglichen Verbrennungen und sogar einer Explosion.
4. Falls Elektrolyt in Ihre Augen gelangt, waschen Sie sie mit sauberem Wasser aus, und begeben Sie sich unverzüglich in ärztliche Behandlung. Andernfalls können Sie erblinden.
5. Der Akku darf nicht kurzgeschlossen werden:
 - (1) Die Kontakte dürfen nicht mit leitfähigem Material berührt werden.
 - (2) Vermeiden Sie die Lagerung des Akkus in einem Behälter zusammen mit anderen Metallgegenständen, wie z. B. Nägeln, Münzen usw.
 - (3) Setzen Sie den Akku keinem Wasser oder Regen aus.

Ein Kurzschluss des Akkus verursacht starken Stromfluss, der Überhitzung, mögliche Verbrennungen und sogar eine Betriebsstörung zur Folge haben kann.
6. Lagern und benutzen Sie das Werkzeug und den Akku nicht an Orten, an denen die Temperatur 50 °C (122 °F) erreichen oder überschreiten kann.
7. Versuchen Sie niemals, den Akku zu verbrennen, selbst wenn er stark beschädigt oder vollkommen verbraucht ist. Der Akku kann im Feuer explodieren.
8. Unterlassen Sie Nageln, Schneiden, Zerquetschen, Werfen, Fallenlassen des Akkus oder Schlagen des Akkus mit einem harten Gegenstand. Eine solche Handlung kann zu einem Brand, übermäßiger Hitzeentwicklung oder einer Explosion führen.
9. Keinen beschädigten Akku benutzen.
10. Die enthaltenen Lithium-Ionen-Akkus unterliegen den Anforderungen der Gefahrgut-Gesetzgebung.

Für kommerzielle Transporte, z. B. durch Dritte oder Spediteure, müssen besondere Anforderungen zu Verpackung und Etikettierung beachtet werden.

Zur Vorbereitung des zu transportierenden Artikels ist eine Beratung durch einen Experten für Gefahrgut erforderlich. Bitte beachten Sie möglicherweise ausführlichere nationale Vorschriften.

Überkleben oder verdecken Sie offene Kontakte, und verpacken Sie den Akku so, dass er sich in der Verpackung nicht umher bewegen kann.
11. Entfernen Sie den Akku zum Entsorgen vom Werkzeug, und entsorgen Sie ihn an einem sicheren Ort. Befolgen Sie die örtlichen Vorschriften bezüglich der Entsorgung von Akkus.
12. Verwenden Sie die Akkus nur mit den von Makita angegebenen Produkten. Das Einsetzen der Akkus in nicht konforme Produkte kann zu einem Brand, übermäßiger Hitzeentwicklung, einer Explosion oder Auslaufen von Elektrolyt führen.
13. Soll das Werkzeug längere Zeit nicht benutzt werden, muss der Akku vom Werkzeug entfernt werden.
14. Bei und nach dem Gebrauch kann der Akku heiß werden, was Verbrennungen oder Niedertemperaturverbrennungen verursachen kann. Beachten Sie die Handhabung von heißen Akkus.
15. Berühren Sie nicht den Anschlusskontakt des Werkzeugs unmittelbar nach dem Gebrauch, da er heiß genug werden kann, um Verbrennungen zu verursachen.

16. **Achten Sie darauf, dass sich keine Späne, Staub oder Schmutz in den Anschlusskontakten, Löchern und Nuten des Akkus absetzen.** Dies kann zur Erhitzung, zum Brand, zum Bersten und zur Fehlfunktion des Werkzeugs oder des Akkus führen, was Verbrennungen oder Verletzungen zur Folge haben kann.
17. **Wenn das Werkzeug den Einsatz in der Nähe einer Hochspannungs-Stromleitung nicht unterstützt, benutzen Sie den Akku nicht in der Nähe einer Hochspannungs-Stromleitung.** Dies kann zu einer Funktionsstörung oder Betriebsstörung des Werkzeugs oder des Akkus führen.
18. **Halten Sie den Akku von Kindern fern.**

BEWAHREN SIE DIESE ANWEISUNGEN AUF.

⚠VORSICHT:

• Verwenden Sie nur Original-Makita-Akkus.

Die Verwendung von Nicht-Original-Makita-Akkus oder von Akkus, die abgeändert worden sind, kann zum Bersten des Akkus und daraus resultierenden Bränden, Personenschäden und Beschädigung führen. Außerdem wird dadurch die Makita-Garantie für das Makita-Werkzeug und -Ladegerät ungültig.

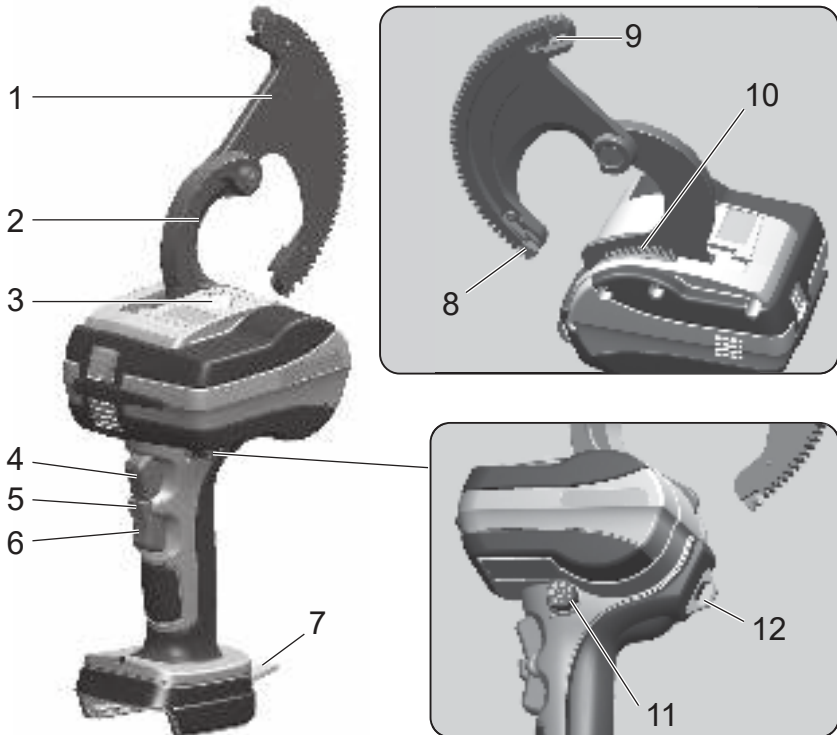
Hinweise zur Aufrechterhaltung der maximalen Akku-Nutzungsdauer

1. **Laden Sie den Akku, bevor er vollkommen erschöpft ist. Brechen Sie stets den Betrieb des Werkzeugs ab, und laden Sie den Akku, wenn Sie ein Nachlassen der Werkzeugleistung feststellen.**
2. **Unterlassen Sie das erneute Laden eines voll aufgeladenen Akkus. Überladen führt zu einer Verkürzung der Nutzungsdauer des Akkus.**
3. **Laden Sie den Akku bei Raumtemperatur zwischen 10 °C – 40 °C (50 °F - 104 °F). Lassen Sie einen heißen Akku abkühlen, bevor Sie ihn laden.**
4. **Wenn Sie den Akku nicht benutzen, nehmen Sie ihn vom Werkzeug oder Ladegerät ab.**
5. **Der Akku muss geladen werden, wenn er lange Zeit (länger als sechs Monate) nicht benutzt wird.**

Bezeichnungen und Zubehörteile

DTC100

Akku-Kabelschneider



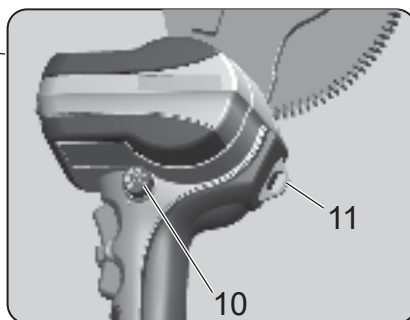
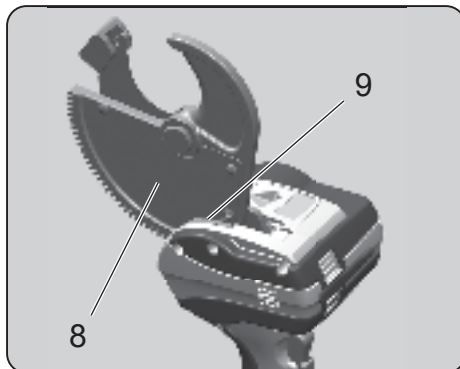
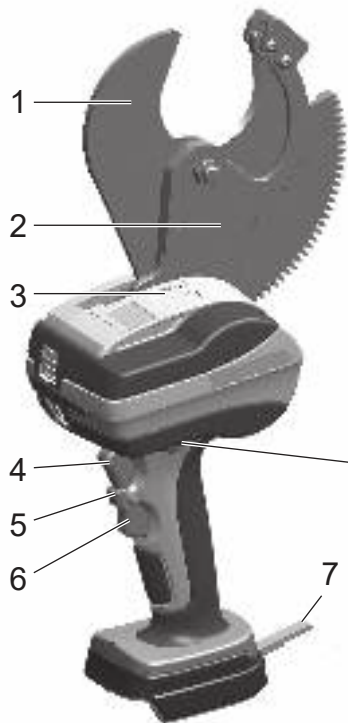
Tragekoffer



* Dieses Werkzeug ist für den Makita 18-V-Lithium-Ionen-Akku ausgelegt.

1	Schwingmesser	7	Aufhängeriem
2	Gegenmesser	8	Zahnsegmentführung (A)
3	LED-Arbeitsleuchte	9	Zahnsegmentführung (B)
4	Vorlaufschalter	10	Bürste (zum Abstauben)
5	Schaltsperre	11	Drehknopf
6	Rücklaufschalter	12	Einhängering

Akku-Kabelschneider



Tragekoffer



* Dieses Werkzeug ist für den Makita 18-V-Lithium-Ionen-Akku ausgelegt.

1	Schwingmesser	7	Aufhängeriem
2	Gegenmesser	8	Schwingmesserplatte
3	LED-Arbeitsleuchte	9	Bürste (zum Abstauben)
4	Vorlaufschalter	10	Drehknopf
5	Schaltersperre	11	Einhängerring
6	Rücklaufschalter	—	—

Akku

Akku

- Zum Zeitpunkt des Kaufs kann die Akku-Schutzfunktion aktiviert sein, weil der Akku nicht ausreichend geladen ist. (Seien Sie bitte vorsichtig, denn das Produkt kann in Betrieb gehen, wenn Sie den Schalter betätigen.) Laden Sie den Akku vor dem Gebrauch mit dem Schnellladegerät ordnungsgemäß auf.
- Bringen Sie die Akkuabdeckung an, wenn Sie das Produkt nicht benutzen. Dadurch wird der Akku vor Wasser und Staub geschützt.
- Wenn Sie das Produkt über einen längeren Zeitraum nicht benutzen, lagern Sie es mit abgenommenem Akku.

Um die Lebensdauer des Akkus zu verlängern

- Wenn Sie merken, dass die Kraft des Werkzeugs nachlässt, stellen Sie den Gebrauch ein und laden Sie den Akku auf.
- Laden Sie einen voll aufgeladenen Akku nicht wieder auf.
- Laden Sie den Akku bei einer Umgebungstemperatur von 10 °C bis 40 °C auf.
- Wenn der Akku heiß geworden ist, z. B. unmittelbar nach dem Gebrauch, empfehlen wir, ihn zum Abkühlen und Aufladen in das Ladegerät einzulegen.
- Wenn ein Lithium-Ionen-Akku über einen längeren Zeitraum (mindestens 6 Monate) nicht benutzt wird, empfehlen wir, ihn aufzuladen und dann zu lagern.

Sammlung von Akkus

- Verbrauchte Akkus werden zum Recycling gesammelt. Bringen Sie den Akku bitte zu dem Geschäft, in dem Sie das Produkt gekauft haben, oder zu einer Makita-Vertriebsstelle.



Li-ion

Recyceln Sie den
Lithium-Ionen-
Akku

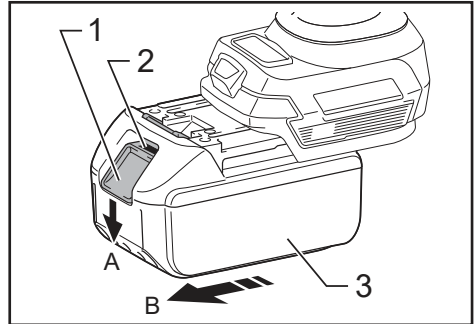
Anbringen und Abnehmen des Akkus

⚠️ WARNUNG:

Führen Sie den Akku ordnungsgemäß in das Produkt ein. Falls der rote Teil am oberen Ende des Knopfes sichtbar ist, ist der Akku nicht vollständig eingerastet. Führen Sie den Akku fest ein, bis der rote Teil nicht mehr zu sehen ist.

- Wird der Akku nicht vollständig eingesetzt, kann er sich lösen und einen Unfall verursachen.

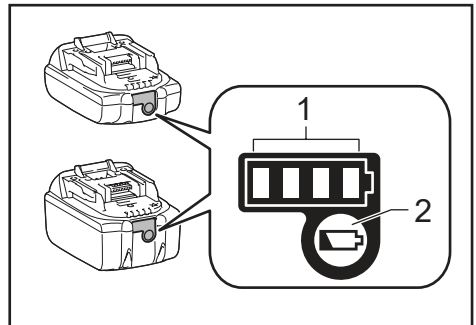
- Um den Akku vom Produkt abzunehmen, A. halten Sie den Knopf auf der Vorderseite des Akkus gedrückt und B. schieben Sie den Akku heraus.
- Richten Sie den Akku beim Einsetzen an den Rillen des Produkts aus, und schieben Sie ihn dann in umgekehrter Reihenfolge vollständig ein. Wenn der rote Teil am oberen Ende des Knopfes zu diesem Zeitpunkt sichtbar ist, ist der Akku nicht vollständig eingerastet. Führen Sie den Akku richtig ein, bis der rote Teil nicht mehr zu sehen ist.



► 1. Knopf 2. Roter Teil 3. Akku

Anzeigen der Akku-Restkapazität

Nur für Akkus mit Anzeiger



► 1. Anzeigelampen 2. Prüftaste

Drücken Sie die Prüftaste am Akku, um die Akku-Restkapazität anzuzeigen. Die Anzeigelampen leuchten für ein paar Sekunden auf.

Anzeigelampen			Restkapazität
Erleuchtet	Aus	Blinken	
■ ■ ■ ■			75 % bis 100 %
■ ■ ■ □			50 % bis 75 %
■ ■ □ □			25 % bis 50 %
■ □ □ □			0 % bis 25 %
▬ □ □ □			Laden Sie den Akku auf.
■ ■ □ □			Der Akku hat möglicherweise eine Fehlfunktion.
□ □ ■ ■			

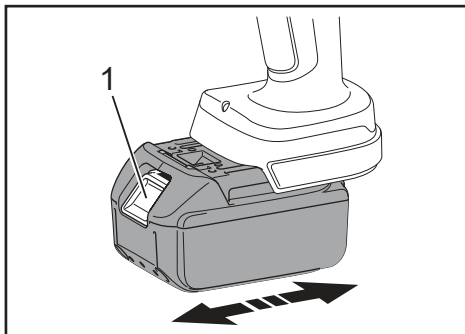
HINWEIS: Abhängig von den Benutzungsbedingungen und der Umgebungstemperatur kann die Anzeige geringfügig von der tatsächlichen Kapazität abweichen.

HINWEIS: Die erste (äußerste linke) Anzeigelampe blinkt, wenn das Akku-Schutzsystem aktiv ist.

Benutzung des Werkzeugs

Anbringen des Akkus

1. Drücken Sie die Klinke, und ziehen Sie den Akku heraus. Um den Akku auszutauschen, drücken Sie den neuen Akku fest hinein.
2. Prüfen Sie nach dem Einsetzen eines Akkus, ob er sicher sitzt, indem Sie ihn sachte herausziehen. Drücken Sie beim Herausziehen des Akkus nicht auf die Klinke.

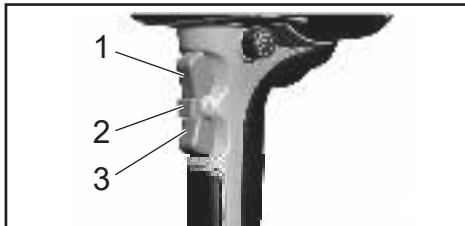


► 1. Klinke

Schalterbetätigung

Aus Sicherheitsgründen ist das Werkzeug mit einem zweistufigen Schaltersystem ausgestattet.

Um den Vorlaufschalter (Schneiden) und den Rücklaufschalter (Rücklauf) zu aktivieren, drücken Sie zuerst auf die Schaltersperre und dann auf den Vorlauf-/Rücklaufschalter.



► 1. Vorlaufschalter 2. Schaltersperre
3. Rücklaufschalter

Arbeitsassistentz-LED-Lampe

Dieses Werkzeug ist mit einer LED-Lampe ausgestattet, die den Umfang des Schneidmessers beleuchtet. Sie leuchtet auf, wenn entweder der Vorlauf- oder der Rücklaufschalter eingeschaltet ist, und erlischt dann etwa 10 Sekunden nach dem Loslassen des Schalters.

⚠ VORSICHT:

- Schauen Sie nicht direkt in die LED-Lampe. Wenn Sie über einen längeren Zeitraum in die LED-Lampe schauen, kann dies Ihre Augen schädigen.

Alarm bei schwachem Akku

Wenn die verbleibende Kapazität des Akkus niedrig ist, blinkt die LED-Leuchte beim Einschalten des Vorlaufschalters 5-mal als Warnsignal. Laden Sie den Akku auf, oder tauschen Sie ihn durch einen Ersatzakku aus.

Schneidbetrieb

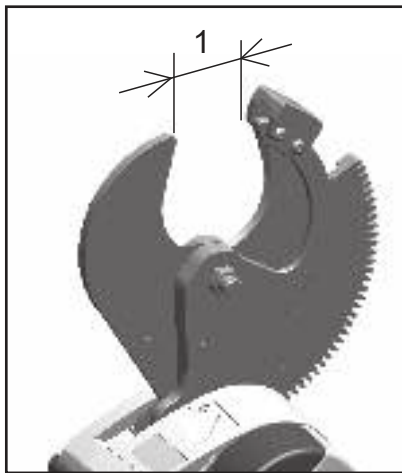
1. [DTC100]
Betätigen Sie den Schalter, um das Schwingmesser zu öffnen.

Stellen Sie das Schwingmesser mit dem Vorlauf- und Rücklaufschalter in die Neutralstellung.



1. [DTC101]
Vergewissern Sie sich, dass die Öffnung ausreichend ist.

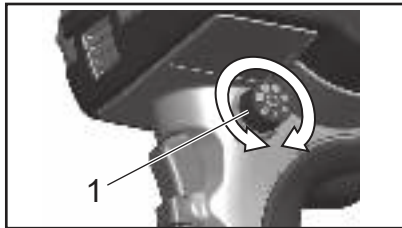
Achten Sie darauf, dass die Öffnung groß genug ist, um ein Kabel einzulegen. Falls die Öffnung zu klein ist, drücken Sie den Rücklaufschalter, um sie zu vergrößern.



► 1. Öffnung

2. Aktivieren oder Deaktivieren des automatischen Rücklaufs mit dem Drehknopf

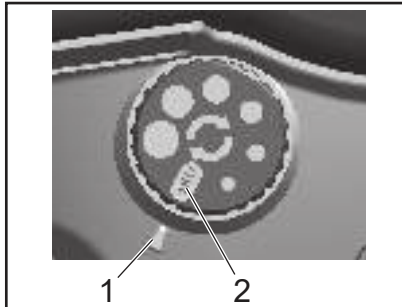
Drehen Sie den Drehknopf auf die gewünschte Position, um den automatischen Rücklauf zu aktivieren, oder stellen Sie ihn auf die Aus-Stellung, um ihn zu deaktivieren.



► 1. Drehknopf

Automatische Rücklauffunktion

Wenn der automatische Rücklauf aktiviert ist, bremst der Motor nach dem Durchtrennen eines Kabels. Sobald der Vorlaufschalter losgelassen wird, kehrt das Schwingmesser automatisch in die mit dem Drehknopf eingestellte Position zurück. Die Öffnung kann zwischen 6 Stufen eingestellt werden. (Der Eröffnungsbetrag ist ein Richtwert.)



► 1. Eröffnungsbetrag 2. Aus

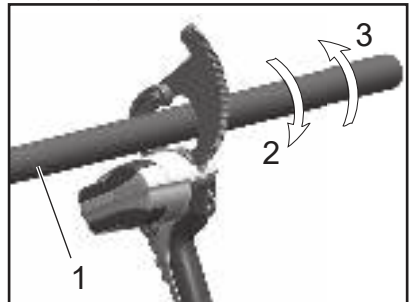
⚠ VORSICHT:

- Die Rücklaufautomatik wird nicht aktiviert, wenn der Vorlaufschalter vor Vollendung des Schnitts losgelassen wird.
- Die Rücklaufautomatik wird nicht aktiviert, wenn das Stromkabel eine Querschnittsfläche von 60 mm² oder weniger hat.
- Der Öffnungsdurchmesser kann je nach der verbleibenden Akkuspannung unterschiedlich sein.

3. [DTC100]

Einführen des Stromkabels in die Öffnung des Schwingmessers

Legen Sie das zu schneidende Kabel auf das Gegenmesser, und schließen Sie das Schwingmesser um das Kabel. Führen Sie das Schwingmesser von Hand zu, so dass die Verzahnung in den Antriebsmechanismus des Geräts eingreift.

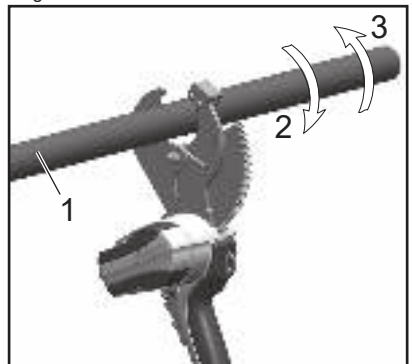


► 1. Kabel 2. Schneiddrehung
3. Rückwärtsdrehung

3. [DTC101]

Einführen des Stromkabels in die Öffnung des Schwingmessers

Legen Sie das zu schneidende Kabel in die Messeröffnung und auf die Seite des Gegenmessers.



► 1. Kabel 2. Schneiddrehung
3. Rückwärtsdrehung

4. Betätigung des Vorlaufschalters und Schneiden des Stromkabels

Halten Sie den Vorlaufschalter gedrückt, bis der Schnitt vollendet ist.

5. Beseitigung von Fremdkörpern nach dem Schneiden.

Wenn Sie mit dem Schneiden fertig sind, entfernen Sie alle Reste und Fremdkörper auf dem Messer.

⚠ VORSICHT:

• **Längerer Betrieb**

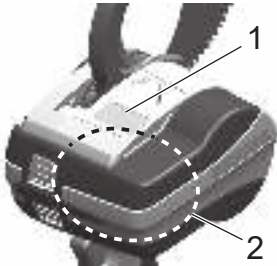
Um den Motor zu schützen, brechen Sie die Benutzung des Werkzeugs ab, wenn der Bereich um den Warnaufkleber heiß wird. Um das Werkzeug weiter zu benutzen, legen Sie es 50 Minuten lang an einen kühlen und gut belüfteten Ort, bis es abgekühlt ist.

- **Der Überstrom-/Überlastungsschutz kann auch dann aktiviert werden, wenn das Werkzeug innerhalb der Schnittleistung betrieben wird.**

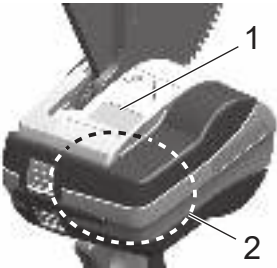
Die Betriebstemperatur, die Kabellänge, die Biegung und andere Faktoren beeinflussen die Leistung des Werkzeugs.

- **Wenn die LED-Leuchte 6-mal oder öfter blinkt, handelt es sich um eine Platinenfehleranzeige. Bitte wenden Sie sich an Ihren Händler.**

DTC100



DTC101



► 1. Warnaufkleber 2. Hitze-Warnbereich

⚠ VORSICHT:

- **DTC100 und DTC101 sind nur zum Schneiden von Kupfer- und Aluminiumkabeln vorgesehen. Verwenden Sie diese Werkzeuge nicht für Stahl, ACSR oder andere Stahlmaterialien.**

Überstrom-Schutzfunktion

Falls ein Überlaststrom durch Schneiden eines Kabels außerhalb der Spezifikation auftritt, wird die Überstrom-Schutzfunktion aktiviert und der Motor angehalten. Zur Wiederherstellung lassen Sie den Vorlaufschalter los.

Auswechseln mit Ersatzteilen (DTC100)

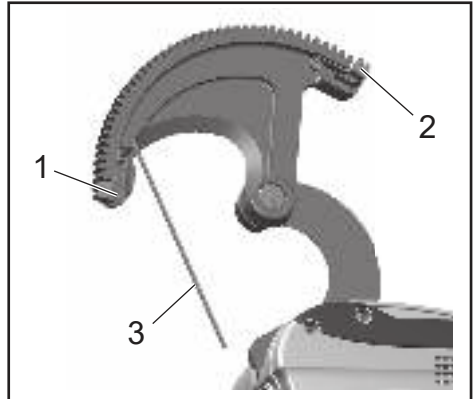
Um die Zahnsegmentführung selbst auszutauschen, gehen Sie wie folgt vor.

⚠VORSICHT:

- Achten Sie darauf, dass Sie den Akku aus dem Hauptgerät entfernen, bevor Sie die Zahnsegmentführung austauschen.
- Wenn die Zahnsegmentführung beschädigt ist oder abnormale Geräusche verursacht, muss sie sofort ausgetauscht werden. Wenn Sie das Produkt mit einer beschädigten Zahnsegmentführung weiter verwenden, kann dies zu einer Beschädigung der internen Zahnräder führen.

Auswechseln der Zahnsegmentführung

1. Entfernen der Zahnsegmentführung
Lösen Sie die Innensechskantschraube (M3 × 3) mit einem Sechskantschlüssel, und entfernen Sie die Zahnsegmentführung.
2. Montieren der Zahnsegmentführung
Montieren Sie die neue Zahnsegmentführung, und ziehen Sie die Schraube fest an.



- 1. Zahnsegmentführung (A)
2. Zahnsegmentführung (B) 3. Sechskantschlüssel

Auswechseln mit Ersatzteilen (DTC101)

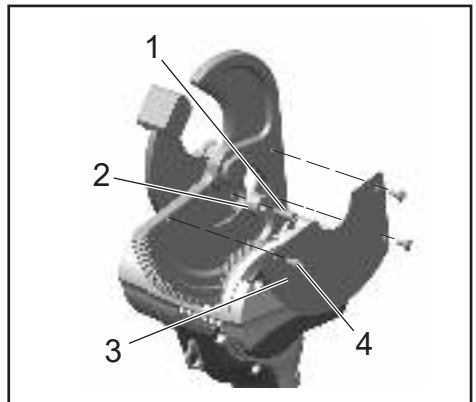
Um den Stopper selbst auszutauschen, gehen Sie wie folgt vor.

⚠VORSICHT:

- Nehmen Sie unbedingt den Akku vom Hauptgerät ab, bevor Sie den Stopper austauschen.

Auswechseln des Stoppers

1. Entfernen Sie die Rundkopf-Kreuzschlitzschrauben, die Platte und die Passschraube (37), und nehmen Sie dann den Stopper ab.
2. Befestigen Sie den neuen Stopper mit der Passschraube, tragen Sie Schraubensicherungsleber auf die Schraube auf, und ziehen Sie sie vollständig fest.
3. Bringen Sie die Platte an, und schrauben Sie die Rundkopf-Kreuzschlitzschrauben ein.

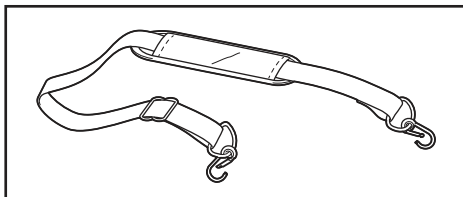


- 1. Passschraube (37) 2. Stopper 3. Platte
4. Rundkopf-Kreuzschlitzschrauben

Sonderzubehör

• Schulterriemen (161347-8)

Dieser Schulterriemen wird verwendet, indem der Aufhängerriemen dieses Werkzeugs angeschlossen wird.



Wartung/Inspektion

- Beachten Sie, dass eine Vernachlässigung der täglichen Wartung/Inspektion zu einer Fehlfunktion des Werkzeugs führen kann.
- Bitte vermeiden Sie es, das Werkzeug in einer feuchten Umgebung aufzubewahren, um einen reibungslosen Betrieb des Werkzeugs zu gewährleisten und Rostbildung zu verhindern.
- Wenn das Werkzeug bei normalem Gebrauch beschädigt wird (10.000 Betätigungen oder mehr, 1.000 Schnitte oder mehr), darf es nicht einfach wieder in Betrieb genommen werden, nachdem nur das beschädigte Teil ausgetauscht wurde, da es das Ende seiner Lebensdauer erreicht hat.
- Wenn ein Kunststoffteil verschmutzt ist, wischen Sie es mit einem weichen, mit Seifenwasser angefeuchteten Tuch ab.
- Wenn der Akku allein gelagert wird, schützen Sie die Kontakte unbedingt mit der mitgelieferten Kontaktabdeckung, um einen Kurzschluss zu verhindern.
- Wir empfehlen, das Werkzeug etwa alle zwei Jahre zur Sicherheitsüberprüfung beim Hersteller einzureichen (kostenpflichtig). Wenden Sie sich für weitere Informationen an Ihren Händler.

Technische Daten

Akku-Kabelschneider	DTC100	DTC101
Maximaler schneidbarer Durchmesser	Nur Nichteisenwerkstoffe (AL oder Cu) φ50 mm (Cu-Litze φ30 mm / Al-Litze φ38 mm)	
Elektromotor	Gleichstrommotor	
Abmessungen	117 (T) × 320 (H) × 197 (B) (mm)	117 (T) × 380 (H) × 189 (B) (mm)
Gewicht	2,2 kg	2,9 kg

⚠ VORSICHT:

- DTC100 und DTC101 sind nur zum Schneiden von Kupfer- und Aluminiumkabeln vorgesehen. Verwenden Sie diese Werkzeuge nicht für Stahl, ACSR oder andere Stahlmaterialien.

Konformitätserklärungen

Nur für europäische Länder

Die Konformitätserklärungen sind in Anhang A dieser Betriebsanleitung enthalten.

⚠AVVERTENZA: leggere e comprendere tutte le istruzioni e le informazioni di sicurezza nella presente guida per l'utilizzatore e nelle istruzioni. L'utilizzo per applicazioni non previste potrebbe portare a gravi lesioni personali o alla morte.

- Grazie per aver acquistato il nostro tagliacavi a cricchetto a batteria.
- Leggere fino in fondo e con attenzione le presenti istruzioni per l'uso, prima di tentare di utilizzare l'apparecchio. Dopo aver letto le presenti istruzioni per l'uso, conservarle in un'ubicazione facilmente accessibile.
- **Descrizione**
Le cesoie meccaniche sono cesoie a batteria progettate per tagliare i cavi utilizzati nell'industria oggi.

Precauzioni per la sicurezza

⚠AVVERTENZA: leggere tutte le avvertenze di sicurezza e tutte le istruzioni. Il mancato rispetto delle avvertenze e delle istruzioni potrebbe risultare in scosse elettriche, incendi e/o gravi lesioni personali.

Conservare tutte le avvertenze e le istruzioni come riferimento futuro.

⚠AVVERTENZA: l'utente potrebbe perdere la vita o venire gravemente ferito, qualora questo prodotto venga sottoposto a usi impropri.

1) Sicurezza dell'area di lavoro

- Mantenere l'area di lavoro pulita e ben illuminata. Aree ingombre o buie favoriscono gli incidenti.
- Non utilizzare gli utensili elettrici in atmosfere esplosive, ad esempio in presenza di liquidi, gas o polveri infiammabili. Gli utensili elettrici creano scintille che potrebbero incendiare le polveri o i fumi.
- Tenere i bambini e gli astanti lontani durante l'utilizzo di un utensile elettrico. Le distrazioni possono causare la perdita di controllo.

2) Sicurezza elettrica

- Le spine degli utensili elettrici devono essere compatibili con le prese. Non modificare mai la spina in alcun modo. Non utilizzare adattatori per spine di alcun genere con utensili elettrici dotati di messa a terra (con collegamento a massa). Spine non modificate e prese elettriche compatibili riducono il rischio di scosse elettriche.
- Evitare il contatto con superfici messe a terra o collegate a massa, quali tubi, radiatori, cucine e frigoriferi. Sussiste un maggior rischio di scosse elettriche, qualora il corpo dell'utilizzatore sia messo a terra o collegato a massa.
- Non esporre gli utensili elettrici alla pioggia o a condizioni di bagnato. Qualora l'acqua penetri in un utensile elettrico, incrementa il rischio di scosse elettriche.
- Non sottoporre a usi impropri il cavo elettrico. Non utilizzare mai il cavo elettrico per trasportare, tirare o scollegare dall'alimentazione elettrica l'utensile elettrico.

Tenere il cavo elettrico lontano da fonti di calore, olio, bordi affilati o parti mobili. Cavi elettrici danneggiati o attorcigliati incrementano il rischio di scosse elettriche.

- Quando si intende utilizzare un utensile elettrico all'aperto, utilizzare un cavo di prolunga idoneo per l'uso all'aperto. L'utilizzo di un cavo elettrico idoneo per l'utilizzo all'aperto riduce il rischio di scosse elettriche.
- Qualora non sia possibile evitare l'utilizzo di un utensile elettrico in un'ubicazione umida, utilizzare una fonte di alimentazione protetta da un interruttore differenziale (RCD - residual current device). L'utilizzo di un RCD riduce il rischio di scosse elettriche.

3) Sicurezza personale

- Restare vigili, fare attenzione a cosa si sta facendo e adottare il buon senso, quando si utilizza un utensile elettrico.
Non utilizzare un utensile elettrico quando si è stanchi o sotto l'influenza di droghe, alcool o farmaci. Un momento di disattenzione durante l'utilizzo di utensili elettrici potrebbe risultare in gravi lesioni personali.
- Utilizzare un'attrezzatura di protezione personale. Indossare sempre protezioni per gli occhi. Un'attrezzatura di protezione, ad esempio una maschera antipolvere, scarpe antiscivolo, un elmetto o protezioni per l'udito, utilizzata per le condizioni appropriate, riduce le lesioni personali.
- Evitare l'avvio accidentale. Accertarsi che l'interruttore sia nella posizione di disattivazione prima di collegare la fonte di alimentazione e/o la batteria, di sollevare o di trasportare l'utensile. Qualora si trasportino utensili elettrici con il dito sull'interruttore o si fornisca alimentazione a utensili elettrici che abbiano l'interruttore attivato, si favoriscono gli incidenti.
- Rimuovere qualsiasi chiave di regolazione o chiave inglese prima di accendere l'utensile. Una chiave inglese o di altro genere lasciata attaccata a una parte girevole dell'utensile elettrico potrebbe causare lesioni personali.

- e) Non sporgersi. Mantenere sempre un appoggio corretto sui piedi e l'equilibrio. In tal modo si consente un miglior controllo dell'utensile elettrico in situazioni impreviste.
- f) Vestirsi in modo appropriato. Non indossare indumenti abbondanti o gioielli. Tenere capelli, indumenti e guanti lontani dalle parti in movimento. Indumenti abbondanti, gioielli o capelli lunghi possono restare impigliati nelle parti in movimento.
- g) Qualora vengano forniti dispositivi per il collegamento di strutture di estrazione e raccolta delle polveri, accertarsi che questi ultimi vengano collegati e utilizzati correttamente. L'utilizzo della raccolta delle polveri può ridurre i pericoli relativi alle polveri.
- h) Non lasciare che la familiarità acquisita mediante l'uso frequente degli utensili porti a un eccesso di fiducia e a ignorare i principi di sicurezza degli utensili. Un'operazione disattenta può causare gravi lesioni personali in una frazione di secondo.

4) Uso e manutenzione dell'utensile elettrico

- a) Non forzare l'utensile elettrico. Utilizzare l'utensile elettrico corretto per la propria applicazione. L'utensile elettrico corretto svolge un lavoro in modo più efficiente e sicuro alla velocità per la quale è stato progettato.
- b) Non utilizzare l'utensile elettrico qualora l'interruttore non consenta di accenderlo e spegnerlo. Qualsiasi utensile elettrico che non possa venire controllato con l'interruttore è pericoloso e deve essere riparato.
- c) Scollegare la spina dalla fonte di alimentazione e/o la batteria dall'utensile elettrico prima di effettuare qualsiasi regolazione, sostituire gli accessori o riporre gli utensili elettrici. Queste misure di sicurezza preventive riducono il rischio di avvio accidentale dell'utensile elettrico.
- d) Conservare gli utensili elettrici inutilizzati fuori dalla portata dei bambini e non consentire a persone che non abbiano familiarità con l'utensile elettrico o con le presenti istruzioni di utilizzare l'utensile elettrico. Gli utensili elettrici sono pericolosi nelle mani di utenti non addestrati.
- e) Sottoporre a manutenzione gli utensili elettrici e gli accessori. Controllare l'eventuale presenza di disallineamenti o inceppamenti delle parti mobili, rottura delle parti o qualsiasi altra condizione che potrebbe compromettere il funzionamento dell'utensile elettrico. Qualora l'utensile elettrico sia danneggiato, farlo riparare prima dell'uso. Molti incidenti sono causati da utensili elettrici sottoposti a manutenzione insufficiente.
- f) Mantenere gli utensili da taglio affilati e puliti. Utensili da taglio sottoposti a manutenzione corretta con taglienti affilati hanno una minore probabilità di incepparsi e sono più facili da controllare.
- g) Utilizzare l'utensile elettrico, gli accessori e le punte dell'utensile, e così via, in conformità alle presenti istruzioni, tenendo conto delle condizioni di lavoro e del lavoro da eseguire.
L'uso di un utensile elettrico per operazioni diverse da quelle a cui è destinato potrebbe risultare in situazioni pericolose.

- h) Mantenere le maniglie e le superfici di impugnatura asciutte, pulite e prive di olio e grasso. Maniglie e superfici di impugnatura scivolose non consentono di maneggiare e controllare in sicurezza l'utensile in situazioni impreviste.

5) Uso e manutenzione dell'utensile a batteria

- a) Ricaricare solo con il caricabatterie specificato dal produttore. Un caricabatterie che sia idoneo per un tipo di batteria potrebbe creare un rischio di incendio, qualora venga utilizzato con un'altra batteria.
- b) Utilizzare gli utensili elettrici solo con batterie specificamente designate. L'utilizzo di qualsiasi altra batteria potrebbe creare un rischio di lesioni personali e di incendio.
- c) Quando la batteria non è in uso, tenerla lontana da altri oggetti metallici, quali graffette, monete, chiavi, chiodi, viti o altri piccoli oggetti metallici, che potrebbero mettere in contatto i terminali tra di loro. Il cortocircuito dei terminali della batteria tra di loro potrebbe causare ustioni o un incendio.
- d) In condizioni di uso improprio, del liquido potrebbe venire espulso dalla batteria: evitare il contatto con tale liquido. Qualora si verifichi accidentalmente un contatto, lavare abbondantemente con acqua. Inoltre, qualora il liquido entri in contatto con gli occhi, richiedere assistenza medica.
Il liquido espulso dalla batteria potrebbe causare irritazioni o ustioni.
- e) Non utilizzare una batteria o un utensile che siano danneggiati o che siano stati modificati. Batterie danneggiate o modificate potrebbero mostrare un comportamento imprevedibile, causando incendi, esplosioni o il rischio di lesioni personali.
- f) Non esporre una batteria o un utensile al fuoco o a temperature eccessive. L'esposizione al fuoco o a temperature al di sopra dei 130°C potrebbe causare un'esplosione.
- g) Attenersi a tutte le istruzioni per la ricarica e non caricare la batteria o l'utensile al di fuori della gamma di temperature specificata nelle istruzioni. Una ricarica inappropriata o a temperature al di fuori della gamma specificata potrebbe danneggiare la batteria e incrementare il rischio di incendio.

6) Assistenza

- a) Far sottoporre l'utensile elettrico a interventi di assistenza da parte di un tecnico di riparazione qualificato, che utilizzi solo pezzi di ricambio identici. In tal modo, si assicura che la sicurezza dell'utensile elettrico venga preservata.
- b) Non sottoporre mai a interventi di assistenza batterie danneggiate. Gli interventi di assistenza sulle batterie andrebbero eseguiti solo da parte del produttore o di fornitori di assistenza autorizzati.

Mantenere l'utensile elettrico mediante le superfici di impugnatura isolate, quando si intende eseguire un'operazione in cui il dispositivo di fissaggio potrebbe entrare in contatto con cablaggi nascosti. I dispositivi di fissaggio che entrino in contatto con un filo elettrico sotto tensione potrebbero mettere sotto tensione le parti metalliche esposte dell'utensile elettrico, e potrebbero trasmettere una scossa elettrica all'operatore.

Utilizzare un caricabatterie e una batteria Makita originali.

- Utilizzare una batteria originale per questo utensile.
- Non caricare la batteria con un altro caricabatterie. La mancata osservanza di questa indicazione potrebbe causare una rottura, che potrebbe portare a incidenti o lesioni personali.

Caricare la batteria in modo corretto.

- Utilizzare una fonte di alimentazione che rechi l'indicazione dei valori nominali, per collegare il caricabatterie fornito in dotazione con questo prodotto.
- Non utilizzare una fonte di alimentazione in CC né un generatore di energia a motore per caricare la batteria. La mancata osservanza di questa indicazione potrebbe generare calore eccessivo, che potrebbe portare a un incendio.
- Quando la temperatura ambiente, della batteria o del caricabatterie è inferiore a 0°C o superiore a 40°C, non caricare la batteria. La mancata osservanza di questa indicazione potrebbe causare una rottura o un incendio.
- Quando si intende caricare la batteria, scegliere un'area ben ventilata per la ricarica.
- Non coprire la batteria con un panno durante la ricarica. La mancata osservanza di questa indicazione potrebbe causare una rottura o un incendio.
- Accertarsi di scollegare la spina di alimentazione dopo la ricarica.
La mancata osservanza di questa indicazione potrebbe causare una scossa elettrica o un incendio.

Non puntare il tagliacavi verso le persone durante l'uso.

- La mancata osservanza di questa indicazione potrebbe causare lesioni personali.

Non cortocircuitare i terminali della batteria.

- Quando la batteria viene conservata da sola, accertarsi di applicare il cappuccio dei terminali su questi ultimi, per evitare il cortocircuito. Accertarsi che i terminali della batteria non entrino in cortocircuito a causa di altre parti metalliche quali viti, chiodi, e così via.

Non esporre la batteria al fuoco.

- La mancata osservanza di questa indicazione potrebbe causare una rottura o una perdita di materiale pericoloso.

Non utilizzare su parti che siano sotto tensione elettrica.

- L'utensile non è isolato. L'utilizzo su ubicazioni elettrificate potrebbe portare a scosse elettriche.
- Non toccare la spina di alimentazione o la batteria con le mani bagnate. La mancata osservanza di questa indicazione potrebbe portare a scosse elettriche.

Rimuovere la batteria dal corpo dell'utensile nelle circostanze seguenti.

- Quando non è in uso o per la riparazione
- Durante la sostituzione di pezzi di ricambio
- In altre circostanze quando si sospetta un pericolo
La mancata osservanza di queste precauzioni potrebbe causare l'accensione accidentale dell'utensile e lesioni personali.

Avvio accidentale dell'utensile.

- Accertarsi che le dita siano ben lontane dal grilletto quando si sposta l'utensile. Un avvio accidentale dell'utensile potrebbe causare lesioni personali.

Utilizzare solo gli accessori specificati.

- Non utilizzare accessori di alcun tipo diversi da quelli indicati nelle presenti istruzioni per l'uso o nel nostro catalogo. La mancata osservanza di questa indicazione potrebbe causare incidenti o lesioni personali.

Utilizzare un'attrezzatura di protezione.

- Utilizzare occhiali di protezione durante il funzionamento. Qualora il funzionamento comporti la presenza di polveri, utilizzare una mascherina protettiva. Durante il taglio, piccoli pezzi potrebbero venire dispersi e causare lesioni personali.

Non fissare lo sguardo sulla luce di lavoro a LED.

- Quest'ultima potrebbe causare danni alla vista.

Tenere in considerazione l'ambiente di lavoro.

- Non utilizzare l'utensile, il caricabatterie o la batteria sotto la pioggia, o in ubicazioni bagnate o umide. La mancata osservanza di questa indicazione potrebbe causare una scossa elettrica o del fumo.
- Eseguire il lavoro in un'ubicazione sufficientemente luminosa. Il lavoro in un'ubicazione buia potrebbe causare un incidente.
- Non utilizzare né caricare la batteria in presenza di liquidi o gas infiammabili. La mancata osservanza di questa indicazione potrebbe causare un'esplosione o un incendio.

Mantenere il posto di lavoro sempre pulito.

- Luoghi e banchi sporchi potrebbero causare un incidente.

Tenere i bambini lontani dall'utensile.

- Non consentire a persone diverse dagli operatori di toccare l'utensile e il cavo elettrico del caricabatterie. Tenere le persone lontane dal posto di lavoro. La mancata osservanza di questa indicazione potrebbe causare lesioni personali.

Quando l'utensile non è in uso, conservarlo correttamente.

- Conservare l'utensile in un'ubicazione in cui l'umidità sia bassa, nonché a un'altezza elevata, in modo che i bambini non possano raggiungerla, oppure in un'ubicazione che possa essere chiusa a chiave. La mancata osservanza di questa indicazione potrebbe causare un incidente.
- Non conservare l'utensile o la batteria in un'ubicazione in cui la temperatura possa salire a 40°C o a un valore più elevato (all'interno di una scatola di metallo, all'interno di un'automobile in estate, e così via). La mancata osservanza di questa indicazione potrebbe far deteriorare la batteria, il che potrebbe causare fumo o combustione.

Non utilizzare l'utensile in un modo irragionevole.

- Eseguire l'operazione in conformità alla capacità dell'utensile, per un funzionamento sicuro ed efficiente. L'utilizzo dell'utensile oltre la sua capacità potrebbe causare un incidente.
- Non utilizzare l'utensile in un modo irragionevole che causi il blocco del motore. La mancata osservanza di questa indicazione potrebbe causare fumo o un incendio.

Utilizzare un utensile idoneo per l'operazione.

- Non utilizzare l'utensile a scopi diversi dalle applicazioni specificate. La mancata osservanza di questa indicazione potrebbe causare lesioni personali.

Eseguire l'operazione con indumenti appropriati.

- Non indossare indumenti abbondanti o accessori quali le collane. Oggetti di questo tipo potrebbero restare impigliati in una parte mobile, in una parte rotante, o simili.
- Quando l'utilizzo viene eseguito all'aperto, si consiglia l'uso di guanti di gomma e scarpe antiscivolo. Guanti e scarpe scivolosi potrebbero causare lesioni personali.
- Qualora si abbiano capelli lunghi, utilizzare un berretto o una copertura per i capelli per coprirli. La mancata osservanza di questa indicazione potrebbe far restare impigliati i capelli in una parte mobile, in una parte rotante, o simili.

Non far funzionare l'utensile con una postura innaturale.

- Mantenere sempre un appoggio corretto sui piedi e mantenere l'equilibrio. La mancata osservanza di questa indicazione potrebbe causare la caduta dell'utilizzatore, che potrebbe portare a lesioni personali.

Restare vigili e mantenere una grande attenzione quando si lavora.

- Quando si utilizza l'utensile, fare attenzione al metodo con cui lo si mantiene, al modo d'uso e alle condizioni dell'ambiente circostante, e condurre l'operazione facendo attenzione. La mancata osservanza di questa indicazione potrebbe causare un incidente o lesioni personali.
- Non utilizzare l'utensile sotto l'effetto dell'alcool. La mancata osservanza di questa indicazione potrebbe causare un incidente o lesioni personali.
- Non utilizzare l'utensile quando si è in condizioni fisiche scadenti. La mancata osservanza di questa indicazione potrebbe causare un incidente o lesioni personali.

Non maneggiare il cavo elettrico del caricabatterie in maniera brusca.

- Non trasportare il caricabatterie tenendolo per il cavo, né tirare quest'ultimo per scollegarlo dalla presa elettrica.
- Tenere il cavo elettrico lontano da fonti di calore, olio e bordi affilati.
- Accertarsi che l'ambiente di carica non consenta di calpestare il cavo elettrico o inciamparvi. La mancata osservanza di questa indicazione potrebbe causare una scossa elettrica o un cortocircuito, che potrebbero portare alla combustione.

Utilizzare un cavo di prolunga che abbia delle caratteristiche tecniche per l'utilizzo all'aperto.

- Qualora si utilizzi l'utensile all'aperto, utilizzare un cavo di prolunga fabbricato con un robusto cavo con guaina in gomma.

Eseguire con cura la manutenzione dell'utensile.

- Quando si intende sostituire pezzi di ricambio, attenersi alle istruzioni per l'uso. La mancata osservanza di questa indicazione potrebbe causare lesioni personali.
- Ispezionare il cavo elettrico del caricabatterie a intervalli regolari. Qualora il cavo elettrico sia danneggiato, rivolgersi a un centro di assistenza autorizzato per la riparazione. La mancata osservanza di questa indicazione potrebbe causare una scossa elettrica o un cortocircuito, che potrebbero portare alla combustione.
- Qualora si utilizzi un cavo di prolunga, ispezionare il cavo elettrico a intervalli regolari. Qualora il cavo elettrico sia danneggiato, sostituirlo con uno nuovo. La mancata osservanza di questa indicazione potrebbe causare una scossa elettrica o un cortocircuito, che potrebbero portare alla combustione.
- Mantenere l'impugnatura sempre asciutta e pulita, e tenerla lontana da olio e grasso. La mancata osservanza di questa indicazione potrebbe causare lesioni personali.

Verificare la presenza di parti danneggiate.

- Prima dell'uso, verificare che non siano presenti parti danneggiate. Verificare che l'utensile funzioni normalmente e che tutti i componenti funzionino correttamente.
- Verificare l'allineamento delle parti mobili, il movimento fluido delle parti mobili, l'eventuale rottura di parti, il montaggio e qualsiasi altra condizione che potrebbe influenzare il funzionamento.
- Non utilizzare un caricabatterie che abbia la spina dell'alimentazione o il cavo elettrico danneggiati, o che sia stato fatto cadere e che quindi si sia danneggiato. La mancata osservanza di questa indicazione potrebbe causare una scossa elettrica o un cortocircuito, che potrebbero portare alla combustione. Qualora si sia danneggiato, va fatto riparare correttamente o va sostituito da un centro di assistenza autorizzato, se non diversamente indicato nelle presenti istruzioni per l'uso. Far sostituire gli interruttori difettosi da un centro di assistenza autorizzato. Non utilizzare l'utensile qualora l'interruttore non consenta di accenderlo e spegnerlo. Tale utensile potrebbe funzionare in modo anomalo, il che potrebbe portare a lesioni personali.

Rivolgersi a un centro di assistenza autorizzato per le riparazioni.

- Non disassemblare, riparare né modificare l'unità principale, il caricabatterie o la batteria. La mancata osservanza di questa indicazione potrebbe causare una combustione o un funzionamento anomalo, il che potrebbe portare a lesioni personali.
- Qualora l'utensile diventi estremamente caldo o si rilevi un'anomalia nell'utensile, richiedere l'ispezione o la riparazione dell'utensile.
- Questo utensile è fabbricato in conformità ai requisiti di sicurezza rilevanti. Non tentare di modificare questo prodotto.

Precauzioni nell'utilizzo del tagliacavi a cricchetto a batteria

- Quando si utilizza questo utensile, attenersi alle istruzioni indicate di seguito:

Precauzioni per l'utensile

- **Non tagliare mai alcun oggetto che vada oltre la capacità di taglio massima.**

Adottare cautela, in quanto la mancata osservanza di questa indicazione potrebbe causare un danneggiamento (vedere a pagina 67).

- **Non toccare il tagliente delle lame mobili o fisse.**
La mancata osservanza di questa indicazione potrebbe causare lesioni personali.

- **Non tagliare mai fili sotto tensione (cavi elettrici che stiano conducendo elettricità).**

- **Non sottoporre a cadute o a impatti eccessivi di altro genere.**

La struttura interna è stata fabbricata con precisione per renderla compatta e leggera; pertanto, potrebbe non funzionare correttamente, qualora venga sottoposta a un impatto.

- **Non utilizzare sotto la pioggia.**

In caso contrario, si potrebbe far arrugginire la lama e smussare il tagliente o causare danni.

- **Non tagliare le lunghezze in eccesso a una lunghezza pari o inferiore a 50 mm.**

Qualora si taglino le lunghezze in eccesso alle estremità dei cavi CCP e di altro genere a una lunghezza estremamente corta, si potrebbe causare il taglio dell'interno del cavo, e così via.

- **Non applicare forza in opposizione alla direzione da tagliare.**

Tagliare sempre i materiali in linea retta. La mancata osservanza di questa indicazione potrebbe danneggiare la lama del tagliacavi.

- **Mantenere saldamente.**

La mancata osservanza di questa indicazione potrebbe causare lesioni personali.

- **Accertarsi che non siano presenti persone sotto di sé prima dell'utilizzo in ubicazioni elevate.**

La mancata osservanza di questa indicazione potrebbe risultare in un incidente, qualora i materiali o il dispositivo vengano fatti cadere, e così via.

- **Prima dell'uso, verificare che non sia presente alcuna anomalia.**

Spaccature o fratture sul tagliacavi potrebbero danneggiare quest'ultimo e portare a lesioni personali.

- **Fare delle pause durante l'uso.**

I tagli prolungati senza pause mantengono un maggior calore del motore, che potrebbe surriscaldare il motore stesso e la batteria, portando a un danneggiamento. Accertarsi di fare delle pause occasionali durante l'uso.

- **Temperature ambienti basse (10°C o meno) potrebbero causare l'indurimento del cavo elettrico, rendendo difficile tagliarlo, anche quando rientra nella capacità di taglio.**

- **Pulire con aria, o simili, dopo ogni uso.**

Fare attenzione a evitare che pezzi tagliati e altri sfritti penetrino nell'unità dall'apertura (motore della lama mobile).

- **Non tagliare cavi elettrici con filo conduttore di diametro di 1 mm.**

La mancata osservanza di questa indicazione potrebbe portare all'inceppamento della lama del tagliacavi nel cavo elettrico e al blocco.

Precauzioni nell'utilizzo della batteria

- Non cortocircuitare mai i terminali.

- Tenere la batteria lontana da acqua, olio e solventi organici.

- Non disassemblare né modificare la batteria.

- Se si deve smaltire la batteria, non esporla al fuoco né smaltirla come rifiuto generico (noi promuoviamo il riciclaggio).

- Non lanciare né far cadere la batteria.

- Non lasciare la batteria in un'ubicazione in cui la temperatura sia pari o superiore a 40°C per un periodo di tempo prolungato.

- Non cortocircuitare la batteria facendo finire sporco o polveri sui terminali, in quanto questo porterebbe a un malfunzionamento. Qualora i terminali siano corrosi, non utilizzare la batteria.

- Per prolungare la vita utile della batteria, viene fornita una funzione di protezione che interrompe l'erogazione di energia. Durante l'uso di questo utensile il motore potrebbe arrestarsi quando il livello di carica residua della batteria è basso, anche mentre l'interruttore di funzionamento è premuto. Tuttavia, questo fenomeno non è causato da un malfunzionamento, ma dalla funzione di protezione. In tal caso, caricare immediatamente la batteria.

Precauzioni relative al caricabatterie

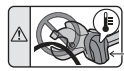
- Questo caricabatterie dispone di un indicatore luminoso (LED multicolore) per mostrare lo stato di carica della batteria.

- Non cortocircuitare il caricabatterie facendo finire sporco o polveri nell'alloggiamento di inserimento, in quanto questo porterebbe a un malfunzionamento. Qualora i terminali di metallo siano corrosi, non utilizzare il caricabatterie.

SIMBOLI DELLE AVVERTENZE



Prima di utilizzare l'utensile, leggere con cura le istruzioni nel presente manuale.



Area di avvertenza di calore elevato

Per proteggere il motore, non utilizzare qualora l'area di avvertenza di calore elevato diventi estremamente calda (vedere a pagina 65).



Non toccare durante l'uso.

Simboli



Solo per le nazioni dell'EU
A causa della presenza di componenti pericolosi nelle apparecchiature, i rifiuti di apparecchiature elettriche ed elettroniche, accumulatori e batterie potrebbero produrre un impatto negativo sull'ambiente e sulla salute umana.

Non smaltire elettrodomestici elettrici ed elettronici o batterie insieme ai rifiuti domestici!

In conformità alla direttiva europea sui rifiuti di apparecchiature elettriche ed elettroniche (RAEE), sugli accumulatori e le batterie, nonché sui rifiuti di accumulatori e batterie, e al suo adattamento alle normative nazionali, i rifiuti di apparecchiature elettriche ed elettroniche, batterie e accumulatori vanno conservati separatamente e conferiti a un punto di raccolta separato per i rifiuti comunali, operando in conformità alle normative per la protezione dell'ambiente.

Tale requisito viene indicato mediante il simbolo del bidone della spazzatura con ruote barrato apposto sull'apparecchio.

Rumore

Livello tipico di rumore pesato A determinato in base allo standard EN62841-1:

Livello di pressione sonora ($K=3$ dB (A)): 69,5 dB (A)

Livello di potenza sonora ($K=3$ dB (A)): 78,1 dB (A)

NOTA: Il valore o i valori dichiarati delle emissioni di rumori sono stati misurati in conformità a un metodo standard di verifica, e possono essere utilizzati per confrontare un utensile con un altro.

NOTA: Il valore o i valori dichiarati delle emissioni di rumori possono venire utilizzati anche per una valutazione preliminare dell'esposizione.

AVVERTIMENTO: Indossare protezioni per le orecchie.

AVVERTIMENTO: L'emissione di rumori durante l'utilizzo effettivo dell'utensile elettrico può variare rispetto al valore o ai valori dichiarati, a seconda dei modi in cui viene utilizzato l'utensile e specialmente a seconda di che tipo di pezzo venga lavorato.

AVVERTIMENTO: Accertarsi di identificare misure di sicurezza per la protezione dell'operatore che siano basate su una stima dell'esposizione nelle condizioni effettive di utilizzo (tenendo conto di tutte le parti del ciclo operativo, ad esempio del numero di spegnimenti dell'utensile e di quando giri a vuoto, oltre al tempo di attivazione).

Vibrazioni

Valore totale delle vibrazioni (somma vettoriale triassiale) determinato in base allo standard EN62841-1:
Impugnatura: $0,3 \text{ m/s}^2$
Incertezza (K): $1,5 \text{ m/s}^2$

NOTA: Il valore o i valori complessivi delle vibrazioni dichiarati sono stati misurati in conformità a un metodo standard di verifica, e possono essere utilizzati per confrontare un utensile con un altro.

NOTA: Il valore o i valori complessivi delle vibrazioni dichiarati possono venire utilizzati anche per una valutazione preliminare dell'esposizione.

AVVERTIMENTO: L'emissione delle vibrazioni durante l'utilizzo effettivo dell'utensile elettrico può variare rispetto al valore o ai valori dichiarati, a seconda dei modi in cui viene utilizzato l'utensile, specialmente a seconda di che tipo di pezzo venga lavorato.

AVVERTIMENTO: Accertarsi di identificare misure di sicurezza per la protezione dell'operatore che siano basate su una stima dell'esposizione nelle condizioni effettive di utilizzo (tenendo conto di tutte le parti del ciclo operativo, ad esempio del numero di spegnimenti dell'utensile e di quando giri a vuoto, oltre al tempo di attivazione).

Cartuccia della batteria e caricabatterie compatibili

Cartuccia della batteria	BL1815N/BL1820B/BL1830B/BL1840B/BL1850B/BL1860B
Caricabatterie	DC18RC/DC18RD/DC18RE/DC18SD/DC18SE/DC18SF/ DC18SH/DC18WC

- Alcuni dei modelli di cartuccia della batteria e caricabatterie elencati sopra potrebbero non essere disponibili, a seconda della propria area geografica di residenza.
- Per caricare la batteria, leggere le istruzioni per l'uso del caricabatterie.

⚠AVVERTENZA: utilizzare esclusivamente le cartucce delle batterie e i caricabatterie elencati sopra. L'utilizzo di cartucce delle batterie e caricabatterie diversi potrebbe causare lesioni personali e/o incendi.

Istruzioni di sicurezza importanti relative alla cartuccia della batteria

1. Prima di utilizzare la cartuccia della batteria, leggere tutte le istruzioni e le indicazioni delle avvertenze riportati (1) sul caricabatterie, (2) sulla batteria, e (3) sul prodotto che utilizza la batteria.
2. **Non disassemblare né manomettere la cartuccia della batteria.** In caso contrario, si potrebbe causare un incendio, calore eccessivo o un'esplosione.
3. **Qualora il tempo di utilizzo sia diventato eccessivamente breve, interrompere immediatamente l'uso. In caso contrario, potrebbe sussistere il rischio di surriscaldamento, con la possibilità di ustioni e persino di un'esplosione.**
4. Qualora del liquido elettrolitico finisca negli occhi, sciacquarli con acqua pulita e richiedere immediatamente assistenza medica. In caso contrario, si potrebbe causare la perdita della vista.
5. **Non cortocircuitare la cartuccia della batteria:**
 - (1) Non toccare i terminali con materiale conduttivo di alcun genere.
 - (2) Evitare di conservare la cartuccia della batteria in un contenitore insieme ad altri oggetti metallici quali chiodi, monete, e così via.
 - (3) Non esporre la cartuccia della batteria all'acqua o alla pioggia.

Un cortocircuito della batteria può causare un elevato flusso di corrente, un surriscaldamento, la possibilità di ustioni e persino una rottura.
6. Non conservare né utilizzare l'utensile e la cartuccia della batteria in ubicazioni in cui la temperatura possa raggiungere o superare i 50°C (122°F).
7. Non bruciare la cartuccia della batteria, anche qualora sia gravemente danneggiata o sia completamente esausta. La cartuccia della batteria può esplodere a contatto con il fuoco.
8. **Non inchiodare, tagliare, schiacciare, lanciare o far cadere la cartuccia della batteria, né colpirla con un oggetto duro.** Una simile condotta potrebbe risultare in un incendio, calore eccessivo o un'esplosione.
9. **Non utilizzare una batteria danneggiata.**
10. **Le batterie a ioni di litio contenute sono soggette ai requisiti del regolamento sul trasporto di merci pericolose (Dangerous Goods Legislation).**

Per trasporti commerciali, ad esempio da parte di terzi o spedizionieri, è necessario osservare dei requisiti speciali sull'imballaggio e sull'etichetta.

Per la preparazione dell'articolo da spedire, è richiesta la consulenza di un esperto in materiali pericolosi. Attenersi anche alle normative nazionali, che potrebbero essere più dettagliate.

Nastrare o coprire i contatti aperti e imballare la batteria in modo tale che non si possa muovere liberamente all'interno dell'imballaggio.
11. **Quando si intende smaltire la cartuccia della batteria, rimuoverla dall'utensile e smaltirla in un luogo sicuro. Attenersi alle normative locali relative allo smaltimento della batteria.**
12. **Utilizzare le batterie esclusivamente con i prodotti specificati da Makita.** L'installazione delle batterie in prodotti non compatibili potrebbe risultare in incendi, calore eccessivo, esplosioni o perdite di liquido elettrolitico.
13. **Se l'utensile non viene utilizzato per un periodo di tempo prolungato, la batteria deve essere rimossa dall'utensile.**
14. **Durante e dopo l'uso, la cartuccia della batteria potrebbe assorbire calore, che può causare ustioni o ustioni a bassa temperatura. Fare attenzione a come si maneggiano le cartucce delle batterie estremamente calde.**
15. **Non toccare i terminali dell'utensile subito dopo l'uso, in quanto potrebbero diventare estremamente caldi al punto da causare ustioni.**
16. **Evitare di far incastrare schegge, polveri o terreno nei terminali, nei fori e nelle scanalature della cartuccia della batteria.** In caso contrario, l'utensile o la cartuccia della batteria potrebbero riscaldarsi, prendere fuoco, scoppiare o guastarsi, causando ustioni o lesioni personali.

17. **Ameno che l'utensile supporti l'uso in prossimità di linee elettriche ad alta tensione, non utilizzare la cartuccia della batteria in prossimità di linee elettriche ad alta tensione.** In caso contrario, si potrebbe causare un malfunzionamento o la rottura dell'utensile o della cartuccia della batteria.
18. **Tenere la batteria lontana dai bambini.**

CONSERVARE LE PRESENTI ISTRUZIONI.

⚠ATTENZIONE:

- **utilizzare esclusivamente batterie originali Makita.**

L'utilizzo di batterie non originali Makita o di batterie che siano state alterate potrebbe risultare nello scoppio della batteria, causando incendi, lesioni personali e danni alle cose. Inoltre, tale utilizzo invalida la garanzia Makita per l'utensile e il caricabatterie Makita.

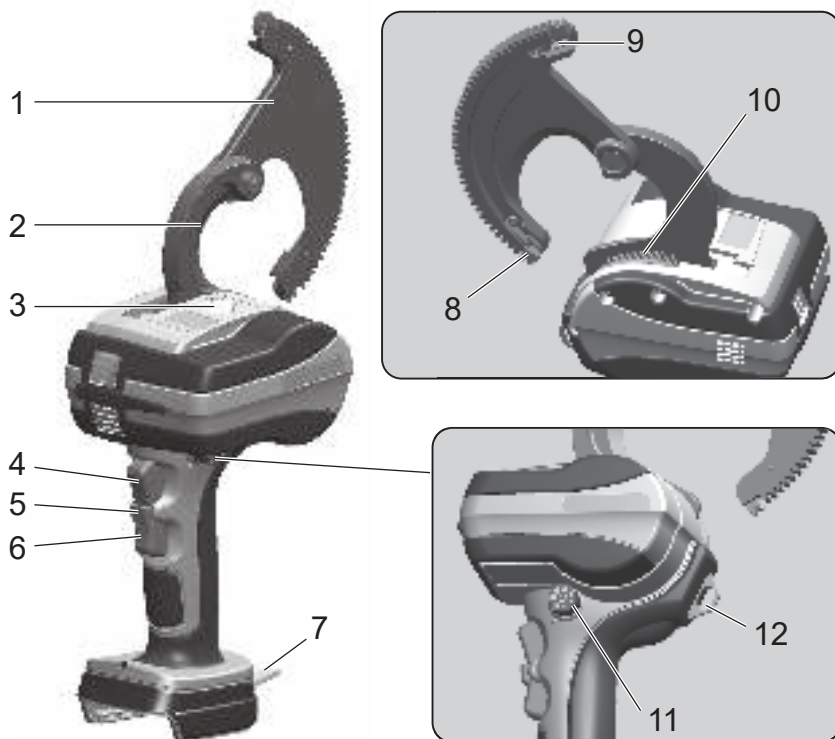
Suggerimenti per preservare la massima vita utile della batteria

1. **Caricare la cartuccia della batteria prima che si scarichi completamente. Smettere sempre di utilizzare l'utensile e caricare la cartuccia della batteria quando si nota una minore potenza dell'utensile.**
2. **Non ricaricare mai una cartuccia della batteria completamente carica. La sovraccarica riduce la vita utile della batteria.**
3. **Caricare la cartuccia della batteria a una temperatura ambiente compresa tra 10°C e 40°C (50°F e 104°F). Lasciar raffreddare una cartuccia della batteria prima di caricarla.**
4. **Quando non si utilizza la cartuccia della batteria, rimuoverla dall'utensile o dal caricabatterie.**
5. **Caricare la cartuccia della batteria se non la si è utilizzata per un periodo di tempo prolungato (più di sei mesi).**

Nomi e accessori

DTC100

Tagliacavi a cricchetto a batteria



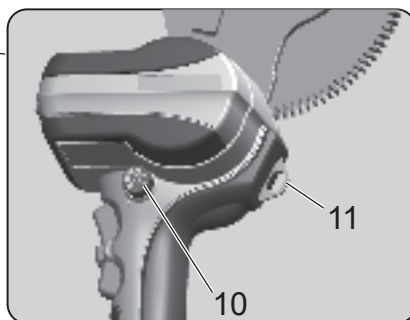
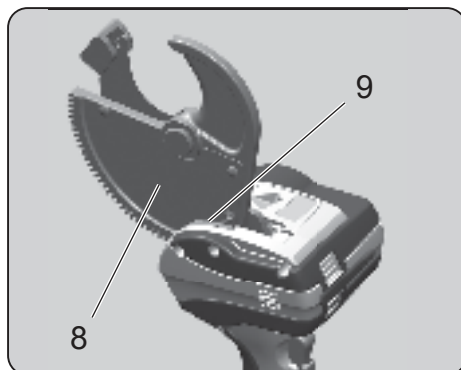
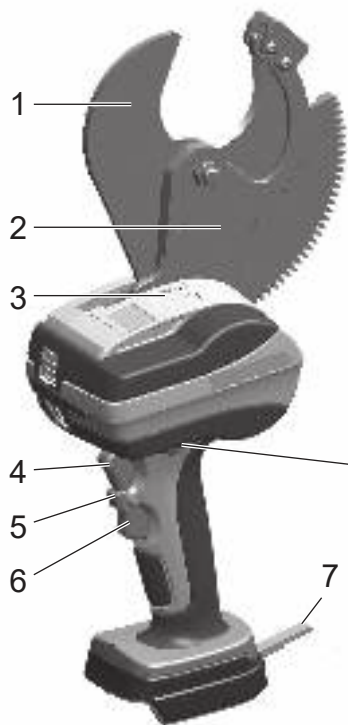
Custodia da trasporto



*Questo utensile è progettato per la batteria a ioni di litio Makita da 18 V.

1	Lama mobile	7	Cinghietta di sospensione
2	Lama fissa	8	Guida a ingranaggio (A)
3	Luce di lavoro a LED	9	Guida a ingranaggio (B)
4	Interruttore della modalità di avanzamento	10	Spazzola (per spolverare)
5	Blocco dell'interruttore	11	Selettore a manopola
6	Interruttore della modalità di inversione	12	Anello di sospensione

Tagliacavi a cricchetto a batteria



Custodia da trasporto



*Questo utensile è progettato per la batteria a ioni di litio Makita da 18 V.

1	Lama mobile	7	Cinghietta di sospensione
2	Lama fissa	8	Piastra della lama mobile
3	Luce di lavoro a LED	9	Spazzola (per spolverare)
4	Interruttore della modalità di avanzamento	10	Selettore a manopola
5	Blocco dell'interruttore	11	Anello di sospensione
6	Interruttore della modalità di inversione	—	—

Batteria

Batteria

- Al momento dell'acquisto, la funzione di protezione della batteria potrebbe attivarsi, poiché la batteria non è caricata a sufficienza. (Fare attenzione, poiché questo prodotto potrebbe iniziare a funzionare, se si aziona l'interruttore.) Caricare correttamente la batteria con il caricabatterie rapido dell'uso.
- Applicare il cappuccio della batteria quando non si intende utilizzare il prodotto. In questo modo, si protegge la batteria dall'acqua e dalle polveri.
- Quando non si intende utilizzare il prodotto per un periodo di tempo prolungato, conservarlo con la batteria rimossa.

Per incrementare la vita utile della batteria

- Quando si sente che la forza dell'utensile si sta indebolendo, interrompere l'utilizzo e caricare la batteria.
- Non ricaricare una batteria che sia completamente carica.
- Caricare la batteria a una temperatura ambiente in un intervallo compreso tra 10°C e 40°C.
- Quando la batteria è diventata estremamente calda, ad esempio subito dopo l'uso, si consiglia di inserirla nel caricabatterie per farla raffreddare e caricarla.
- Quando una batteria agli ioni di litio non deve essere utilizzata per un periodo di tempo prolungato (almeno 6 mesi), si consiglia di caricarla e quindi di conservarla.

Raccolta delle batterie

- Le batterie utilizzate vengono raccolte per il riciclaggio. Portare la batteria al negozio in cui si è acquistato il prodotto o a un ufficio vendite Makita.



Li-ion

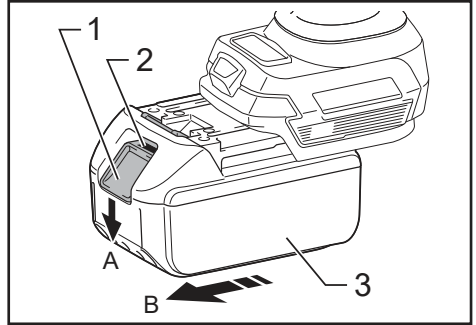
Riciclare la batteria a ioni di litio

Come montare e smontare la batteria

AVVERTENZA:

inserire correttamente la batteria nel prodotto. Qualora la parte rossa sul lato superiore del pulsante sia visibile, vuol dire che la batteria non è completamente bloccata in sede. Inserire saldamente la batteria fino a quando tutta la parte rossa non è più visibile.

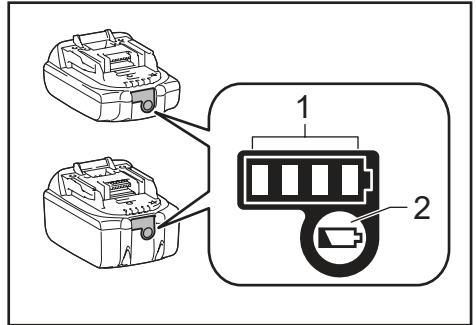
- Qualora la batteria non sia inserita a sufficienza, si potrebbe staccare e causare un incidente.
- Per sganciare la batteria da questo prodotto, A. tenere premuto il pulsante sul lato anteriore della batteria e B. far scivolare la batteria per rimuoverla.
- Quando si intende montare la batteria, allinearla con le scanalature nel prodotto, quindi inserirla fino in fondo eseguendo la procedura al contrario. Qualora la parte rossa sul lato superiore del pulsante sia visibile in questa fase, vuol dire che la batteria non è completamente bloccata in sede. Inserire correttamente la batteria fino in fondo, fino a quando tutta la parte rossa non è più visibile.



► 1. Pulsante 2. Parte rossa 3. Batteria

Indicazione della carica residua della batteria

Solo per cartucce delle batterie dotate di indicatore



► 1. Indicatori luminosi 2. Pulsante di controllo

Premere il pulsante di controllo sulla cartuccia della batteria per indicare la carica residua della batteria. L'indicatore luminoso si illumina per alcuni secondi.

Indicatori luminosi			Carica residua
■ Illuminato	□ Spento	▬ Lampeggiante	
■ ■ ■ ■	□ □ □ □		Dal 75% al 100%
■ ■ ■ □	□ □ □ □		Dal 50% al 75%
■ ■ □ □	□ □ □ □		Dal 25% al 50%
■ □ □ □	□ □ □ □		Dallo 0% al 25%
▬ □ □ □	□ □ □ □		Caricare la batteria.
■ ■ □ □	□ □ □ □	↑ ↓	La batteria potrebbe essersi guastata.

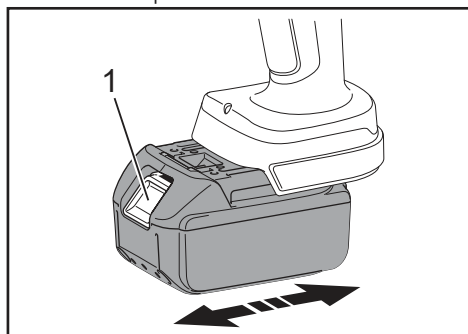
NOTA: a seconda delle condizioni d'uso e della temperatura ambiente, l'indicazione potrebbe variare leggermente rispetto alla capacità effettiva.

NOTA: il primo indicatore luminoso (all'estremità sinistra) lampeggia quando il sistema di protezione della batteria entra in funzione.

Come utilizzare l'utensile

Montaggio della batteria

1. Mentre si tiene premuto il dispositivo di chiusura, estrarre la batteria. Per sostituire la batteria, spingere la nuova batteria saldamente in sede.
2. Dopo aver installato una batteria facendola scorrere, verificare che sia saldamente in sede tirandola delicatamente. Non premere il dispositivo di chiusura quando si tira la batteria.

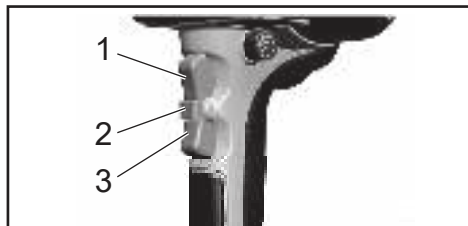


► 1. Dispositivo di chiusura

Operazioni con i pulsanti

A scopo di sicurezza, l'utensile dispone di un sistema di interruttori a doppio azionamento.

Per attivare la modalità di avanzamento (taglio) e la modalità di inversione (ritorno), premere innanzitutto il blocco dell'interruttore, quindi premere il pulsante della modalità di avanzamento o quello della modalità di inversione.



- 1. Interruttore della modalità di avanzamento
2. Blocco dell'interruttore
3. Interruttore della modalità di inversione

Lampada a LED di assistenza per il lavoro

Questo utensile dispone di una lampada a LED che illumina l'area periferica della lama del tagliacavi. La lampada si illumina quando è attivato l'interruttore di avanzamento o quello di inversione, quindi si spegne circa 10 secondi dopo che l'interruttore viene rilasciato.

ATTENZIONE:

- non rivolgere lo sguardo direttamente verso la lampada a LED. Guardare la lampada a LED per un periodo di tempo prolungato potrebbe nuocere agli occhi.

Avviso di batteria scarica

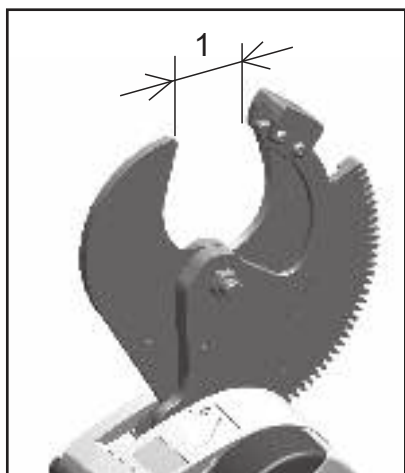
Qualora la carica residua della batteria sia bassa, la luce a LED lampeggia 5 volte come avviso, quando si attiva l'interruttore della modalità di avanzamento. Caricare la batteria o sostituirla con una di ricambio.

Operazioni di taglio

1. [DTC100]
Attivare l'interruttore per aprire la lama mobile. Utilizzare gli interruttori della modalità di avanzamento e di inversione per impostare la lama mobile sulla posizione di folle.



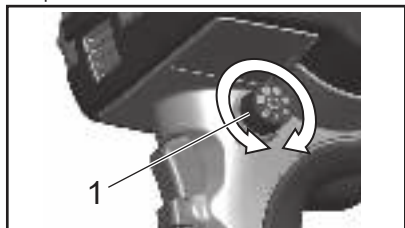
1. [DTC101]
Verifica che l'apertura sia sufficiente. Accertarsi che l'apertura sia sufficientemente ampia per inserire un cavo. Qualora l'apertura sia troppo stretta, premere l'interruttore della modalità di inversione per aprirla.



► 1. Apertura

2. Uso del selettore a manopola per attivare o disattivare il ritorno automatico

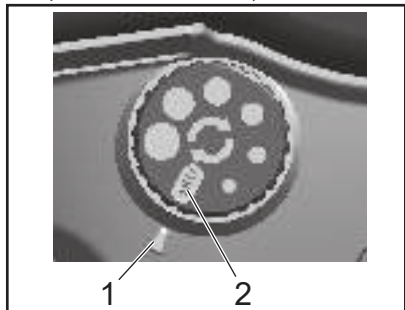
Spostare il selettore sulla posizione desiderata per attivare il ritorno automatico, oppure sposterlo su "off" per disattivarlo.



► 1. Selettore a manopola

La funzione di ritorno automatico

Quando è attivato il ritorno automatico, il motore frena dopo aver tagliato un cavo. Una volta che si rilascia l'interruttore della modalità di avanzamento, la lama mobile torna automaticamente nella posizione impostata dal selettore a manopola. È possibile regolare l'apertura tra 6 livelli. (L'entità dell'apertura è solo indicativa.)



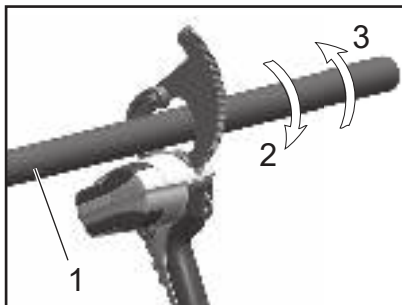
► 1. Entità dell'apertura 2. Off (disattivata)

⚠ATTENZIONE:

- il ritorno automatico non si attiva se l'interruttore della modalità di avanzamento viene rilasciato prima di aver completato il taglio.
- Il ritorno automatico non si attiva con cavi elettrici sottili, di diametro pari o inferiore a 60 mm².
- Il diametro di apertura potrebbe variare a seconda della tensione restante della batteria.

3. [DTC100]
Inserimento del cavo elettrico nell'apertura della lama mobile

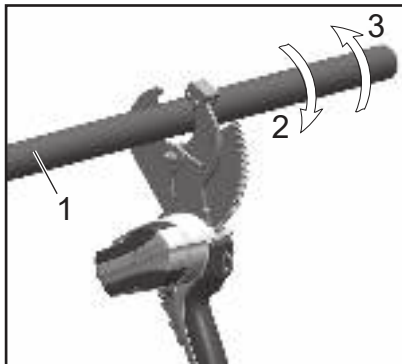
Posizionare il cavo da tagliare sulla lama fissa, quindi chiudere la lama mobile intorno al cavo. Far avanzare la lama mobile a mano, in modo che i denti dell'ingranaggio si innestino nel meccanismo del motore dell'unità.



► 1. Cavo 2. Rotazione del taglio
3. Rotazione inversa

3. [DTC101]
Inserimento del cavo elettrico nell'apertura della lama mobile

Posizionare il cavo da tagliare nell'apertura della lama e sul lato della lama fissa.



► 1. Cavo 2. Rotazione del taglio
3. Rotazione inversa

4. Azionamento dell'interruttore della modalità di avanzamento e taglio del cavo elettrico

Tenere premuto l'interruttore della modalità di avanzamento fino a quando il taglio viene completato.

5. Rimozione dei detriti dopo il taglio.
Al termine del taglio, rimuovere eventuali sfridi o detriti sulla lama.

⚠ATTENZIONE:

• **funzionamento prolungato**

Per proteggere il motore, interrompere l'utilizzo dell'utensile quando l'area circostante l'etichetta di avviso diventa estremamente calda. Per continuare a utilizzare l'utensile, collocarlo per 50 minuti in un'ubicazione fredda e ben ventilata fino a farlo raffreddare.

- **La protezione dalle sovracorrenti e dal sovraccarico potrebbe venire attivata anche quando si utilizza l'utensile entro la capacità di taglio.**

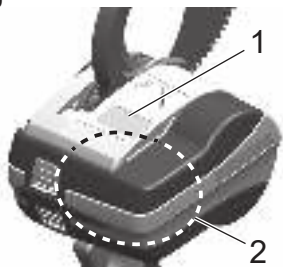
La temperatura di utilizzo, la lunghezza del cavo e la piegatura, nonché altri fattori, influenzano le prestazioni dell'utensile.

- **Qualora la lampada a LED lampeggi per 6 volte o più, si tratta di una visualizzazione che indica un errore della scheda elettronica. Contattare il rivenditore.**

Funzione di protezione dalle sovracorrenti

Qualora si verifichi una corrente di sovraccarico a causa del taglio di un cavo che non rientri nelle specifiche, la funzione di protezione dalle sovracorrenti si attiva e arresta il motore. Per il ripristino, rilasciare l'interruttore della modalità di avanzamento.

DTC100



DTC101



- 1. Etichetta di avviso
2. Area di avvertenza di calore elevato

⚠ATTENZIONE:

- **i modelli DTC100 e DTC101 sono destinati esclusivamente a cavi in rame e cavi in alluminio. Non utilizzare questi utensili per materiali in acciaio, ACSR o altri acciai.**

Sostituzione con pezzi di ricambio (DTC100)

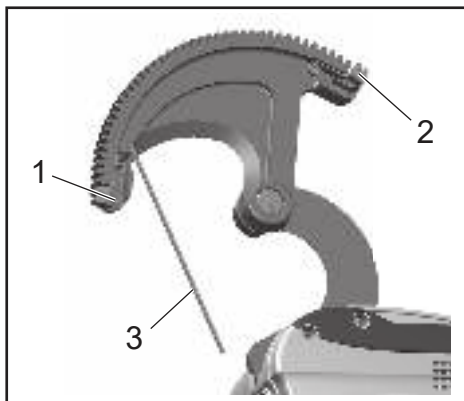
Per sostituire la guida a ingranaggio da soli, attenersi alla procedura seguente.

ATTENZIONE:

- accertarsi di rimuovere la batteria dall'unità principale prima di sostituire la guida a ingranaggio.
- Qualora la guida a ingranaggio venga danneggiata o produca un rumore anomalo, sostituirla immediatamente. Qualora si continui a utilizzare il prodotto con una guida a ingranaggio danneggiata, si potrebbe causare il danneggiamento degli ingranaggi interni.

Sostituzione della guida a ingranaggio

1. Rimozione della guida a ingranaggio
Utilizzare una chiave esagonale per svitare il bullone con foro esagonale (M3 × 3) e rimuovere la guida a ingranaggio.
2. Montaggio della guida a ingranaggio
Montare la nuova guida a ingranaggio e serrare saldamente il bullone.



- 1. Guida a ingranaggio (A)
- 2. Guida a ingranaggio (B)
- 3. Chiave esagonale

Sostituzione con pezzi di ricambio (DTC101)

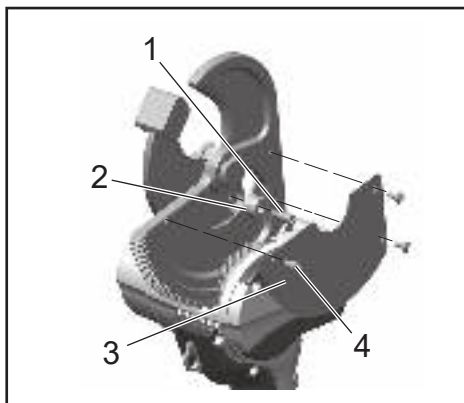
Per sostituire il fermo da soli, attenersi alla procedura seguente.

ATTENZIONE:

- accertarsi di rimuovere la batteria dall'unità principale prima di sostituire il fermo.

Sostituzione del fermo

1. Rimuovere le viti Phillips a testa tonda, la piastra e il bullone con spallamento (37), quindi rimuovere il fermo.
2. Montare un nuovo fermo con il bullone di spallamento, applicare adesivo di bloccaggio per viti alla vite, quindi serrare completamente.
3. Montare la piastra e avvitare le viti Phillips a testa tonda.

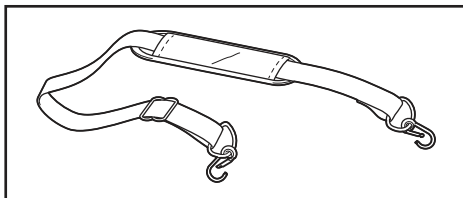


- 1. Bullone con spallamento (37)
- 2. Fermo
- 3. Piastra
- 4. Viti Phillips a testa tonda

Accessori opzionali

• Tracolla (161347-8)

Questa tracolla va utilizzata collegandola alla cinghietta di sospensione di questo utensile.



Manutenzione/ispezione

- Tenere presente che la mancata manutenzione/ispezione quotidiana potrebbe causare un malfunzionamento dell'utensile.
- Evitare di conservare l'utensile in un ambiente umido, per un funzionamento senza problemi dell'utensile e per la prevenzione della ruggine.
- Qualora l'utensile si danneggi durante l'utilizzo normale (10.000 operazioni o più, 1.000 tagli o più), non riprendere l'utilizzo semplicemente dopo aver sostituito solo la parte danneggiata, in quanto l'utensile ha raggiunto la fine della sua vita utile.
- Quando una parte in resina diventa sporca, utilizzare un panno morbido inumidito con acqua saponata per pulirla.
- Quando la batteria viene conservata da sola, accertarsi di applicare il cappuccio accessorio dei terminali per evitare il cortocircuito.
- Per un'ispezione di sicurezza, si consiglia di inviare l'utensile al produttore ogni due anni circa (a pagamento). Contattare il proprio rivenditore per i dettagli.

Dati tecnici

Tagliacavi a cricchetto a batteria	DTC100	DTC101
Diametro massimo consentito per il taglio	Solo materiali non ferrosi (AL o Cu)	
	φ50 mm (trefolo in Cu con φ30 mm/trefolo in Al con φ38 mm)	
Motore elettrico	Motore in CC	
Dimensioni	117 (P) × 320 (A) × 197 (L) (mm)	117 (P) × 380 (A) × 189 (L) (mm)
Peso	2,2 kg	2,9 kg

⚠ATTENZIONE:

- I modelli DTC100 e DTC101 sono destinati esclusivamente a cavi in rame e cavi in alluminio. Non utilizzare questi utensili per materiali in acciaio, ACSR o altri acciai.

Dichiarazioni di conformità

Solo per le nazioni europee

Le dichiarazioni di conformità sono incluse nell'Allegato A alle presenti istruzioni per l'uso.

NEDERLANDS: Originale instructies

⚠️ WAARSCHUWING: Lees en begrijp alle aanwijzingen en veiligheidsinformatie in deze gebruikershandleiding en instructies. Gebruik voor onbedoelde toepassingen kan leiden tot ernstig letsel of overlijden.

- **Bedankt voor uw aankoop van onze snoerloze kabelschaar.**
- **Lees deze gebruiksaanwijzing grondig en zorgvuldig door voordat u het apparaat probeert te gebruiken. Bewaar deze gebruiksaanwijzing na het lezen op een gemakkelijk toegankelijke plaats.**
- **Beschrijving**
De mechanische scharen zijn scharen die op een accu werken en ontworpen zijn om kabels te knippen die vandaag de dag in de industrie worden gebruikt.

Veiligheidsmaatregelen

⚠️ WAARSCHUWING: Lees alle veiligheidswaarschuwingen en instructies. Het niet opvolgen van de waarschuwingen en instructies kan leiden tot elektrische schokken, brand en/of ernstig letsel.

Bewaar alle waarschuwingen en instructies voor toekomstig gebruik.

⚠️ WAARSCHUWING: De gebruiker kan om het leven komen of ernstig letsel oplopen als dit product verkeerd wordt gebruikt.

1) Veiligheid op de werkplek

- a) Houd de werkplek schoon en goed verlicht. Rommelige of donkere ruimtes kunnen tot ongevallen leiden.
- b) Gebruik elektrisch gereedschap niet in een explosieve omgeving, zoals in de aanwezigheid van ontvlambare vloeistoffen, gassen of stof. Elektrisch gereedschap veroorzaakt vonken die het stof of de dampen kunnen ontsteken.
- c) Houd kinderen en omstanders uit de buurt als u elektrisch gereedschap bedient. Door afleiding kunt u de controle verliezen.

2) Elektrische veiligheid

- a) De stekkers van elektrisch gereedschap moeten in het stopcontact passen. Breng nooit wijzigingen aan de stekker aan. Gebruik geen adapterstekkers met geaard elektrisch gereedschap. Ongewijzigde stekkers en passende stopcontacten verminderen het risico op elektrische schokken.
- b) Vermijd lichaamscontact met geaarde oppervlakken, zoals leidingen, radiatoren, fornuizen en koelkasten. Er is een verhoogd risico op elektrische schokken als uw lichaam geaard is.
- c) Stel elektrisch gereedschap niet bloot aan regen of natte omstandigheden. Als er water in elektrisch gereedschap komt, neemt het risico op elektrische schokken toe.
- d) Gebruik het snoer niet verkeerd. Gebruik het snoer nooit om het elektrische gereedschap te dragen, eraan te trekken of los te koppelen.

Houd het snoer uit de buurt van hitte, olie, scherpe randen of bewegende onderdelen. Beschadigde of in de war geraakte snoeren verhogen het risico op elektrische schokken.

- e) Als u elektrisch gereedschap buitenshuis gebruikt, gebruik dan een verlengsnoer dat geschikt is voor buitengebruik. Het gebruik van een snoer dat geschikt is voor buitengebruik vermindert het risico op elektrische schokken.
- f) Als het gebruik van elektrisch gereedschap in een vochtige omgeving onvermijdelijk is, gebruik dan een met aardlekschakelaar beveiligde voeding. Het gebruik van een aardlekschakelaar vermindert het risico op elektrische schokken.

3) Persoonlijke veiligheid

- a) Blijf alert, kijk uit wat u doet en gebruik uw gezond verstand wanneer u elektrisch gereedschap bedient.
Gebruik geen elektrisch gereedschap als u moe bent of onder invloed van drugs, alcohol of medicijnen. Een moment van onoplettendheid tijdens het gebruik van elektrisch gereedschap kan leiden tot ernstig persoonlijk letsel.
- b) Gebruik persoonlijke beschermingsmiddelen. Draag altijd oogbescherming. Beschermingsmiddelen zoals een stofmasker, veiligheidsschoenen met antislipzool, een veiligheidshelm of gehoorbescherming die onder de juiste omstandigheden worden gebruikt, verminderen het aantal persoonlijke verwondingen.
- c) Voorkom onbedoeld starten. Zorg dat de schakelaar in de uit-stand staat voordat u het gereedschap op de stroombron en/of accu aansluit, oppakt of draagt. Het dragen van elektrisch gereedschap met uw vinger op de schakelaar of het onder spanning zetten van elektrisch gereedschap met de schakelaar aan kan tot ongevallen leiden.
- d) Verwijder een eventuele stelsleutel of moersleutel voordat u het elektrische gereedschap inschakelt. Een moersleutel of sleutel die aan een draaiend deel van het elektrische gereedschap blijft zitten, kan persoonlijk letsel veroorzaken.

- e) Reik niet te ver. Zorg dat u altijd stevig staat en uw evenwicht bewaart. Dit zorgt voor een betere controle over het elektrische gereedschap in onverwachte situaties.
- f) Draag geschikte kleding. Draag geen losse kleding of juwelen. Houd uw haar, kleding en handschoenen uit de buurt van bewegende onderdelen. Loszittende kleding, juwelen of lang haar kunnen in bewegende onderdelen verstrikt raken.
- g) Als er voorzieningen aanwezig zijn voor het aansluiten van stofafzuig- en -opvangvoorzieningen, zorg er dan voor dat deze zijn aangesloten en correct worden gebruikt. Het gebruik van stofopvang kan stofgerelateerde gevaren verminderen.
- h) Zorg ervoor dat u niet zelfgenoegzaam wordt en de veiligheidsbeginselen van gereedschap negeert door vertrouwd te raken met het frequent gebruik van gereedschap. Een onzorgvuldige handeling kan binnen een fractie van een seconde ernstig letsel veroorzaken.

4) Gebruik en onderhoud van elektrisch gereedschap

- a) Forceer het elektrische gereedschap niet. Gebruik het juiste elektrische gereedschap voor uw toepassing. Het juiste elektrische gereedschap zal het werk beter en veiliger uitvoeren op de snelheid waarvoor het ontworpen is.
- b) Gebruik het elektrische gereedschap niet als de schakelaar het apparaat niet in- en uitschakelt. Elektrisch gereedschap dat niet met de schakelaar bediend kan worden, is gevaarlijk en moet gerepareerd worden.
- c) Haal de stekker uit het stopcontact en/of haal de accu uit het elektrische gereedschap voordat u het gereedschap afstelt, accessoires verwisselt of het gereedschap opbergt. Dergelijke preventieve veiligheidsmaatregelen verminderen het risico dat het elektrische gereedschap per ongeluk wordt gestart.
- d) Bewaar elektrisch gereedschap dat niet wordt gebruikt buiten het bereik van kinderen en sta niet toe dat het elektrische gereedschap wordt bediend door personen die niet bekend zijn met het elektrische gereedschap of deze instructies. Elektrisch gereedschap is gevaarlijk in de handen van ongetrainde gebruikers.
- e) Onderhoud elektrisch gereedschap en accessoires. Controleer op verkeerde uitlijning of vastzitten van bewegende onderdelen, breuk van onderdelen en elke andere omstandigheid die de werking van het elektrische gereedschap kan beïnvloeden. Laat het elektrische gereedschap repareren als het beschadigd is voordat u het gebruikt. Er worden veel ongevallen veroorzaakt door slecht onderhouden elektrisch gereedschap.
- f) Houd snijgereedschap scherp en schoon. Goed onderhouden snijgereedschap met scherpe snijkanten zal minder snel vastlopen en is gemakkelijker te controleren.
- g) Gebruik het elektrische gereedschap, de accessoires en de bits enz. in overeenstemming met deze instructies, rekening houdend met de werkomstandigheden en het uit te voeren werk.

Als u het elektrische apparaat voor andere dan de bedoelde werkzaamheden gebruikt, kan dit tot gevaarlijke situaties leiden.

- h) Houd handgrepen en grijpvlakken droog, schoon en vrij van olie en vet. Gladde handgrepen en grijpvlakken zorgen ervoor dat het gereedschap in onverwachte situaties niet veilig gehanteerd en onder controle gehouden kan worden.

5) Gebruik en onderhoud van accugereedschap

- a) Laad alleen op met de door de fabrikant gespecificeerde lader. Een lader die geschikt is voor één type accu kan brandgevaar opleveren wanneer deze met een andere accu wordt gebruikt.
- b) Gebruik elektrisch gereedschap alleen met speciaal daarvoor bestemde accu's. Het gebruik van andere accu's kan gevaar voor letsel en brand opleveren.
- c) Als de accu niet in gebruik is, houd deze dan uit de buurt van andere metalen voorwerpen, zoals paperclips, munten, sleutels, spijkers, schroeven of andere kleine metalen voorwerpen, die een verbinding kunnen maken tussen de ene aansluiting en de andere. Het kortsluiten van de accuaansluitingen kan brandwonden of brand veroorzaken.
- d) Onder extreme omstandigheden kan er vloeistof uit de accu komen; vermijd contact. Als er per ongeluk contact optreedt, spoel dan met water. Als de vloeistof in contact komt met de ogen, moet u bovendien medische hulp inroepen. Vloeistof die uit de accu komt, kan irritatie of brandwonden veroorzaken.
- e) Gebruik geen accu die of gereedschap dat beschadigd of gewijzigd is. Beschadigde of gewijzigde accu's kunnen onvoorspelbaar gedrag vertonen, wat kan leiden tot brand, explosies of risico op letsel.
- f) Stel een accu of gereedschap niet bloot aan vuur of een te hoge temperatuur. Blootstelling aan vuur of temperaturen boven 130 °C kan explosie veroorzaken.
- g) Volg alle oplaad instructies en laad de accu of het gereedschap niet op buiten het temperatuurbereik dat in de instructies wordt aangegeven. Onjuist opladen of opladen bij temperaturen buiten het gespecificeerde bereik kunnen de accu beschadigen en het risico op brand vergroten.

6) Onderhoud

- a) Laat uw elektrische gereedschap onderhouden door een gekwalificeerde reparateur die uitsluitend identieke vervangingsonderdelen gebruikt. Dit zorgt ervoor dat de veiligheid van het elektrische gereedschap gehandhaafd blijft.
- b) Voer nooit onderhoud uit aan beschadigde accu's. Onderhoud van accu's mag alleen worden uitgevoerd door de fabrikant of erkende dienstverleners.

Houd het elektrische apparaat bij geïsoleerde grijpvlakken vast als u een bewerking uitvoert waarbij het bevestigingsmiddel in contact kan komen met verborgen bedrading. Bevestigingsmiddelen die in contact komen met een "stroomvoerende" draad, kunnen blootliggende metalen onderdelen van het elektrische gereedschap "stroomvoerend" maken en de gebruiker een elektrische schok geven.

Gebruik een originele acculader en accu van Makita.

- Gebruik een originele accu voor dit gereedschap.
- Laad de accu niet op met een andere acculader. Als u dit niet in acht neemt, kan er een breuk ontstaan, wat kan leiden tot een ongeval of letsel.

Laad de accu op de juiste manier op.

- Gebruik een stroombron met een classificatie-aanduiding om de bij dit product geleverde acculader aan te sluiten.
- Gebruik geen gelijkstroombron of generator om de accu op te laden. Als u zich hier niet aan houdt, kan er overmatige hitte ontstaan, wat kan leiden tot brand.
- Laad de accu niet op als de temperatuur van de omgeving, de accu of de acculader lager is dan 0 °C of hoger dan 40 °C. Als u dit niet in acht neemt, kan dit een breuk of brand veroorzaken.
- Kies een goed geventileerde plaats om de accu op te laden.
- Bedek de accu niet met een doek tijdens het opladen. Als u dit niet in acht neemt, kan dit een breuk of brand veroorzaken.
- Zorg ervoor dat u de stekker uit het stopcontact haalt na het opladen. Als u dit niet in acht neemt, kan dit een elektrische schok of brand veroorzaken.

Richt de schaar tijdens het gebruik niet op personen.

- Als u dit niet in acht neemt, kan dit tot letsel leiden.

Sluit de aansluitingen van de accu niet kort.

- Als de accu alleen wordt opgeborgen, moet u het afdekplaatje op de aansluitingen van de accu plaatsen om kortsluiting te voorkomen. Zorg ervoor dat de accuaansluitingen niet worden kortgesloten door andere metalen onderdelen zoals schroeven, spijkers, enz.

Stel de accu niet bloot aan vuur.

- Als u dit niet in acht neemt, kan dit leiden tot een breuk of lekkage van gevaarlijk materiaal.

Niet gebruiken op onderdelen die onder stroom staan.

- Het gereedschap is niet geïsoleerd. Gebruik op locaties met elektriciteit kan leiden tot elektrische schokken.
- Raak de stekker of de accu niet aan met natte handen. Als u dit niet in acht neemt, kan dit leiden tot elektrische schokken.

Verwijder de accu uit de behuizing van het gereedschap in de volgende omstandigheden.

- Wanneer niet in gebruik of voor reparatie
- Bij de vervanging van reserveonderdelen

- Andere momenten waarop gevaar wordt vermoed
Als u deze waarschuwingen niet in acht neemt, kan het gereedschap per ongeluk worden ingeschakeld en letsel veroorzaken.

Onverwacht opstarten van het gereedschap.

- Zorg ervoor dat uw vingers uit de buurt van de trekker blijven wanneer u het gereedschap verplaatst. Het onverwacht opstarten van het gereedschap kan letsel tot gevolg hebben.

Gebruik alleen gespecificeerde accessoires.

- Gebruik geen andere accessoires dan die in deze gebruiksaanwijzing of onze catalogus worden vermeld. Als u dit niet in acht neemt, kan dit leiden tot een ongeval of letsel.

Gebruik beschermingsmiddelen.

- Draag een veiligheidsbril tijdens het gebruik. Gebruik een beschermingsmasker als het werk stoffig is. Bij het knippen kunnen kleine stukjes uiteenvallen en letsel veroorzaken.

Staar niet naar de LED-werklamp.

- Dit kan het gezichtsvermogen aantasten.

Houd rekening met de werkomgeving.

- Gebruik het gereedschap, de acculader of de accu niet in de regen of op een natte of vochtige plaats. Als u dit niet in acht neemt, kan dit een elektrische schok of rook veroorzaken.
- Werk op een voldoende verlichte plaats. Werken op een donkere plaats kan een ongeval veroorzaken.
- Gebruik of laad de accu niet op in de aanwezigheid van ontvlambare vloeistoffen of gassen. Als u dit niet in acht neemt, kan dit een explosie of brand veroorzaken.

Houd de werkplek altijd schoon.

- Rommelige plaatsen en banken kunnen een ongeval veroorzaken.

Houd kinderen uit de buurt van het gereedschap.

- Laat niemand anders dan de operators het gereedschap en het snoer van de acculader aanraken. Houd mensen uit de buurt van de werkplek. Als u dit niet in acht neemt, kan dit letsel veroorzaken.

Berg het gereedschap op de juiste manier op als het niet wordt gebruikt.

- Bewaar het gereedschap op een plaats waar de luchtvochtigheid laag is en ook op een hoge plaats waar kinderen niet bij kunnen of een plaats die afgesloten kan worden. Als u dit niet in acht neemt, kan dit een ongeval veroorzaken.
- Bewaar het gereedschap of de accu niet op een plaats waar de temperatuur tot 40 °C of hoger kan oplopen (in een metalen doos, in een auto in de zomer, enz.). Als u dit niet in acht neemt, kan de accu verslechteren, wat kan leiden tot rook of ontbranding.

Gebruik het gereedschap niet op een onredelijke manier.

- Voer de werkzaamheden uit in overeenstemming met de capaciteit van het gereedschap voor een veilige en efficiënte werking. Gebruik van het gereedschap boven zijn capaciteit kan een ongeval veroorzaken.
- Gebruik het gereedschap niet op een onredelijke manier waardoor de motor wordt geblokkeerd. Als u dit niet in acht neemt, kan dit rook of ontbranding veroorzaken.

Gebruik gereedschap dat geschikt is voor de toepassing.

- Gebruik het gereedschap niet voor andere dan de aangegeven toepassingen. Als u dit niet in acht neemt, kan dit letsel veroorzaken.

Bedien het gereedschap met de juiste kleding.

- Draag geen losse kleding of accessoires zoals een halsketting. Dergelijke zaken kunnen vast komen te zitten in een bewegend onderdeel, roterend onderdeel of iets dergelijks.
- Wanneer het gereedschap buitenshuis wordt gebruikt, wordt het gebruik van rubberen handschoenen en antislipschoenen aanbevolen. Gladde handschoenen en schoenen kunnen letsel veroorzaken.
- Als u lang haar hebt, gebruik dan een pet of een haartje om uw haar te bedekken. Als u dit niet in acht neemt, kan uw haar verstrikt raken in een bewegend onderdeel, roterend onderdeel of iets dergelijks.

Bedien het gereedschap niet in een onnatuurlijke houding.

- Zorg ervoor dat u altijd stevig staat en uw evenwicht bewaart. Als u dit niet in acht neemt, kunt u vallen en letsel oplopen.

Blijf alert wanneer u met grote aandacht werkt.

- Als u het gereedschap gebruikt, let dan op de manier van hanteren, de manier van werken en de omstandigheden in de omgeving en voer uw werkzaamheden zorgvuldig uit. Als u dit niet in acht neemt, kan dit een ongeval of letsel veroorzaken.
- Bedien het gereedschap niet onder invloed van alcohol. Als u dit niet in acht neemt, kan dit een ongeval of letsel veroorzaken.
- Bedien het gereedschap niet als u in slechte lichamelijke conditie bent. Als u dit niet in acht neemt, kan dit een ongeval of letsel veroorzaken.

Hanteer het snoer van de acculader niet op een ruwe manier.

- Draag de lader niet aan het snoer en trek er niet aan om de stekker uit het stopcontact te halen.
- Houd het snoer uit de buurt van hitte, olie en scherpe randen.
- Zorg ervoor dat u niet op het snoer kunt trappen of erover kunt struikelen in de laadomgeving. Als u dit niet in acht neemt, kan dit een elektrische schok of kortsluiting veroorzaken, wat tot ontbranding kan leiden.

Gebruik een verlengsnoer dat geschikt is voor buitengebruik.

- Als u het gereedschap buitenshuis gebruikt, gebruik dan een verlengsnoer van stevige, met rubber bekleed kabel.

Onderhoud het gereedschap zorgvuldig.

- Volg de gebruiksaanwijzing bij het vervangen van reserveonderdelen. Als u dit niet in acht neemt, kan dit letsel veroorzaken.
- Controleer het snoer van de acculader regelmatig. Als het snoer beschadigd is, laat het dan repareren door een erkend servicepunt. Als u dit niet in acht neemt, kan dit een elektrische schok of kortsluiting veroorzaken, wat tot ontbranding kan leiden.
- Als er een verlengsnoer wordt gebruikt, controleer het snoer dan regelmatig. Als het snoer beschadigd is, vervang het dan door een nieuw exemplaar. Als u dit niet in acht neemt, kan dit een elektrische schok of kortsluiting veroorzaken, wat tot ontbranding kan leiden.
- Houd de handgreep altijd droog en schoon en houd deze uit de buurt van olie en vet. Als u dit niet in acht neemt, kan dit letsel veroorzaken.

Controleer beschadigde onderdelen.

- Controleer voor gebruik of er niets beschadigd is. Controleer of het gereedschap normaal werkt en alle componenten goed functioneren.
- Controleer de uitlijning van bewegende onderdelen, de soepele werking van bewegende onderdelen, breuk van onderdelen, montage en elke andere toestand die de werking kan beïnvloeden.
- Gebruik geen acculader waarvan de stekker of het snoer beschadigd is of die gevallen en vervolgens beschadigd is. Als u dit niet in acht neemt, kan dit een elektrische schok of kortsluiting veroorzaken, wat tot ontbranding kan leiden.

Als de acculader beschadigd is, moet deze op de juiste manier gerepareerd of vervangen worden door een erkend servicepunt, tenzij anders aangegeven in deze gebruiksaanwijzing. Laat defecte schakelaars vervangen door een erkend servicepunt. Gebruik het gereedschap niet als de schakelaar het niet in- en uitschakelt. Dit gereedschap kan abnormaal werken, wat tot letsel kan leiden.

Vraag het erkende servicepunt om reparatie.

- Demonteer, repareer of modificeer het hoofdapparaat, de acculader of de accu niet. Als u dit niet in acht neemt, kan dit tot ontbranding of abnormale werking leiden, wat letsel tot gevolg kan hebben.
- Als het gereedschap heet wordt of als er een afwijking aan het gereedschap wordt gevonden, vraag dan om inspectie of reparatie van het gereedschap.
- Dit gereedschap is gebouwd in overeenstemming met de relevante veiligheidseisen. Probeer dit product niet te wijzigen.
- Laat uw gereedschap repareren door een erkend servicecentrum. Reparaties mogen alleen worden uitgevoerd door een gekwalificeerd persoon met originele reserveonderdelen, anders kan dit leiden tot aanzienlijk gevaar voor de gebruiker.

Voorzorgsmaatregelen bij het gebruik van de snoerloze kabelschaar

- Volg de onderstaande instructies bij het gebruik van dit gereedschap:

Voorzorgsmaatregelen voor het gereedschap

- **Knip nooit iets dat de maximale knipcapaciteit overschrijdt.**

Wees voorzichtig, want als u dit niet in acht neemt, kan er schade ontstaan (zie pagina 83).

- **Raak de snijkant van de beweegbare of vaste snijbladen niet aan.**

Als u dit niet in acht neemt, kan dit tot letsel leiden.

- **Knip nooit draden onder spanning door (elektrische kabels die elektriciteit geleiden).**

- **Niet blootstellen aan vallen of andere buitensporige schokken.**

De interne structuur is nauwkeurig vervaardigd om hem compact en licht te maken, waardoor hij mogelijk niet goed functioneert als hij aan schokken wordt blootgesteld.

- **Niet gebruiken in de regen.**

Als u dit wel doet, kan het snijblad gaan roesten en kan de snijkant dof worden of kan er schade ontstaan.

- **Knip geen overtollige lengtes van 50 mm of minder af.**

Het afknippen van overtollige lengtes van CCP en andere kabels kan ertoe leiden dat de binnenkant van de kabel enz. wordt doorgeknipt.

- **Oefen geen kracht uit tegen de kniprichting in.**

Knip materialen altijd recht af. Als u dit niet in acht neemt, kan het snijblad beschadigd raken.

- **Stevig vasthouden.**

Als u dit niet in acht neemt, kan dit tot letsel leiden.

- **Zorg ervoor dat er zich niemand onder u bevindt voordat u het gereedschap op een hoge locatie gebruikt.**

Als u dit niet in acht neemt, kan dit leiden tot een ongeval als materialen of het gereedschap vallen, enz.

- **Controleer voor gebruik of er niets abnormaals is.**

Scheuren of breuken op de schaar kunnen de schaar beschadigen en letsel veroorzaken.

- **Neem pauzes tijdens het gebruik.**

Langdurig knippen zonder pauzes zorgt voor een verhoogde motorwarmte die de motor en de accu kan oververhitten, wat tot schade kan leiden. Zorg ervoor dat u tijdens het gebruik af en toe pauzeert.

- **Lage omgevingstemperaturen (10 °C of minder) kunnen ertoe leiden dat de elektrische kabel hard wordt, waardoor deze moeilijk te knippen is, zelfs als deze binnen de knipcapaciteit ligt.**

- **Reinig na elk gebruik met lucht, enz.**

Zorg ervoor dat er geen knipafval en andere restjes via de opening (beweegbare snijbladaandrijving) in het apparaat terecht komen.

- **Knip geen elektrische kabels met draad met een diameter van 1 mm door.**

Als u dit niet doet, kan het snijblad vast komen te zitten in de elektrische kabel en vastlopen.

Voorzorgsmaatregelen bij het gebruik van de accu

- Sluit de aansluitingen nooit kort.
- Houd de accu uit de buurt van water, olie en organische oplosmiddelen.
- Haal de accu niet uit elkaar en breng geen wijzigingen aan.
- Als u de accu weggooit, stel deze dan niet bloot aan vuur en gooi deze niet bij het normale huisvuil. (Wij promoten recycling.)
- Gooi niet met de accu en laat deze niet vallen.
- Laat de accu niet gedurende lange tijd achter op een plaats waar de temperatuur 40 °C of hoger is.
- Sluit de accu niet kort door vuil of stof op de aansluiting te leggen, want dat leidt tot storingen. Als de aansluiting gecorrodeerd is, mag u de accu niet gebruiken.
- Er is een beveiligingsfunctie die de uitvoer stopt om de levensduur van de accu te verlengen. De motor kan stoppen wanneer het resterende accuniveau laag is, zelfs wanneer de bedieningsschakelaar ingedrukt is tijdens het gebruik van dit gereedschap. Dit fenomeen wordt echter niet veroorzaakt door een defect, maar door de beveiligingsfunctie. Laad in dat geval de accu onmiddellijk op.

Voorzorgsmaatregelen voor de acculader

- Deze acculader heeft een indicatielampje (meerkleurige LED) om de laadtoestand van de accu aan te geven.
- Sluit de lader niet kort door vuil of stof in de insteeksluis te stoppen, want dat leidt tot storingen. Als de metalen aansluiting gecorrodeerd is, mag u de acculader niet gebruiken.

WAARSCHUWINGSSYMBOLEN



Lees de instructies in deze handleiding zorgvuldig door voordat u het gereedschap gebruikt.



Waarschuwinggebied voor hoge temperaturen

Gebruik de motor niet als het waarschuwingsgebied voor hoge temperaturen heet wordt, dit om de motor te beschermen (zie pagina 81).



Niet aanraken tijdens het gebruik.

Symbolen



Alleen voor EU-landen
Als gevolg van de aanwezigheid van schadelijke componenten in het apparaat, kunnen oude elektrische en elektronische apparaten, accu's en batterijen negatieve gevolgen hebben voor het milieu en de gezondheid van mensen.

Gooi elektrische en elektronische apparaten en accu's niet met het huisvuil weg!

In overeenstemming met de Europese richtlijn inzake oude elektrische en elektronische apparaten en inzake accu's en batterijen en oude accu's en batterijen, alsmede de toepassing daarvan binnen de nationale wetgeving, dienen oude elektrische apparaten, accu's en batterijen gescheiden te worden opgeslagen en te worden ingeleverd bij een apart inzamelingspunt voor huishoudelijk afval dat de milieubeschermingsvoorschriften in acht neemt.

Dit wordt op het apparaat aangegeven door het symbool van een doorgekruiste afvalcontainer.

Geluidsniveau

De typische, A-gewogen geluidsniveaus zijn gemeten volgens EN62841-1:

Geluidsdrukniveau (K = 3 dB (A)): 69,5 dB (A)

Geluidsvermoggenniveau (K = 3 dB (A)): 78,1 dB (A)

OPMERKING: De opgegeven geluidsemissiewaarde(n) is/zijn gemeten volgens een standaardtestmethode en kan/kunnen worden gebruikt om dit gereedschap te vergelijken met andere gereedschappen.

OPMERKING: De opgegeven geluidsemissiewaarde(n) kan/kunnen ook worden gebruikt voor een beoordeling vooraf van de blootstelling.

⚠WAARSCHUWING: Draaggehoorbescherming.

⚠WAARSCHUWING: De geluidsemissie tijdens het gebruik van het elektrisch gereedschap in de praktijk kan verschillen van de opgegeven waarde(n) afhankelijk van de manier waarop het gereedschap wordt gebruikt, met name van het soort werkstuk waarmee wordt gewerkt.

⚠WAARSCHUWING: Zorg ervoor dat veiligheidsmaatregelen worden getroffen ter bescherming van de gebruiker die zijn gebaseerd op een schatting van de blootstelling onder praktijkomstandigheden (rekening houdend met alle fasen van de bedrijfscyclus, zoals de tijdsduur gedurende welke het gereedschap is uitgeschakeld en stationair draait, naast de ingeschakelde tijdsduur).

Trilling

De totale trillingswaarde (triaxiale vectorsom) zoals vastgesteld volgens EN62841-1:

Handgreep: 0,3 m/s²

Onzekerheid (K): 1,5 m/s²

OPMERKING: De totale trillingswaarde(n) is/zijn gemeten volgens een standaardtestmethode en kan/kunnen worden gebruikt om dit gereedschap te vergelijken met andere gereedschappen.

OPMERKING: De opgegeven totale trillingswaarde(n) kan/kunnen ook worden gebruikt voor een beoordeling vooraf van de blootstelling.

⚠WAARSCHUWING: De trillingsemissie tijdens het gebruik van het elektrisch gereedschap in de praktijk kan verschillen van de opgegeven waarde(n) afhankelijk van de manier waarop het gereedschap wordt gebruikt, met name van het soort werkstuk waarmee wordt gewerkt.

⚠WAARSCHUWING: Zorg ervoor dat veiligheidsmaatregelen worden getroffen ter bescherming van de gebruiker die zijn gebaseerd op een schatting van de blootstelling onder praktijkomstandigheden (rekening houdend met alle fasen van de bedrijfscyclus, zoals de tijdsduur gedurende welke het gereedschap is uitgeschakeld en stationair draait, naast de ingeschakelde tijdsduur).

Toepasselijke accucartridge en lader

Accucartridge	BL1815N / BL1820B / BL1830B / BL1840B / BL1850B / BL1860B
Lader	DC18RC / DC18RD / DC18RE / DC18SD / DC18SE / DC18SF / DC18SH / DC18WC

- Bepaalde accucartridges en laders die hierboven worden genoemd, zijn mogelijk niet verkrijgbaar, afhankelijk van de regio waar u woont.
- Lees de gebruiksaanwijzing van de acculader om de accu op te laden.

⚠ WAARSCHUWING: Gebruik alleen de accucartridges en laders die hierboven vermeld staan. Het gebruik van andere accucartridges en laders kan letsel en/of brand veroorzaken.

Belangrijke veiligheidsinstructies voor accucartridge

1. Lees alle instructies en waarschuwingen op (1) de acculader, (2) de accu en (3) het product met de accu voordat u de accu gebruikt.
2. Haal de accucartridge niet uit elkaar en wijzig er niets aan. Dit kan leiden tot brand, overmatige hitte of een explosie.
3. Als de bedrijfstijd te kort is geworden, stop dan onmiddellijk met de bediening. Dit kan leiden tot een risico op oververhitting, mogelijke brandwonden en zelfs een explosie.
4. Als er elektrolyt in uw ogen terecht komt, spoel ze dan uit met helder water en raadpleeg onmiddellijk een arts. Dit kan leiden tot gezichtsverlies.
5. Sluit de accucartridge niet kort:
 - (1) Raak de aansluitingen niet aan met geleidend materiaal.
 - (2) Bewaar de accucassette niet in een bak met andere metalen voorwerpen zoals spijkers, munten, enz.
 - (3) Stel de accucartridge niet bloot aan water of regen.Een kortsluiting in de accu kan leiden tot een grote stroom, oververhitting, mogelijke brandwonden en zelfs een defect.
6. Bewaar en gebruik het gereedschap en de accucartridge niet op plaatsen waar de temperatuur 50 °C (122 °F) kan bereiken of overschrijden.
7. Verbrand de accucartridge niet, zelfs niet als deze ernstig beschadigd of helemaal versleten is. De accucassette kan bij brand exploderen.
8. De accucartridge niet spijkeren, snijden, pletten, gooien, laten vallen of met een hard voorwerp tegen de accucartridge slaan. Dergelijk gedrag kan leiden tot brand, overmatige hitte of een explosie.
9. Gebruik geen beschadigde accu.
10. De meegeleverde lithium-ionaccu's zijn onderworpen aan de vereisten van de wetgeving inzake gevaarlijke goederen.

Voor commerciële transporten, bijv. door derden, expediteurs, moeten speciale vereisten voor verpakking en etikettering in acht worden genomen. Voor de voorbereiding van het te verzenden artikel is het raadplegen van een expert voor gevaarlijke stoffen vereist. Houd ook rekening met mogelijk meer gedetailleerde nationale voorschriften.

Plak open contacten af met tape of maskeer ze en verpak de accu zodanig dat deze niet kan verschuiven in de verpakking.

11. Wanneer u de accucassette weggooit, verwijdert u deze uit het apparaat en gooit u deze op een veilige plaats weg. Volg de plaatselijke voorschriften met betrekking tot het afvoeren van de accu.
12. Gebruik de accu's alleen met de door Makita gespecificeerde producten. Het installeren van de accu's in niet-conforme producten kan leiden tot brand, overmatige hitte, een explosie of lekkage van elektrolyt.
13. Als het gereedschap langere tijd niet gebruikt wordt, moet de accu uit het gereedschap verwijderd worden.
14. Tijdens en na gebruik kan de accucartridge warm worden, wat brandwonden of brandwonden bij lage temperatuur kan veroorzaken. Let op bij het hanteren van hete accucartridges.
15. Raak de aansluiting van het gereedschap niet onmiddellijk na gebruik aan, omdat deze heet genoeg kan worden om brandwonden te veroorzaken.
16. Zorg dat er geen spaanders, stof of vuil in de aansluitingen, openingen en groeven van de accucartridge terechtkomen. Dit kan leiden tot verhitting, vlam vatten, barsten en slecht functioneren van het gereedschap of de accucartridge, met brandwonden of persoonlijk letsel tot gevolg.
17. Gebruik de accucartridge niet in de buurt van hoogspanningsleidingen, tenzij het gereedschap het gebruik in de buurt van hoogspanningsleidingen ondersteunt. Dit kan leiden tot een storing of defect van het gereedschap of de accucartridge.
18. Houd de accu uit de buurt van kinderen.

BEWAAR DEZE INSTRUCTIES.

⚠ LET OP:**• Gebruik alleen originele Makita-accu's.**

Het gebruik van niet-originele Makita-accu's of accu's die zijn aangepast, kan ertoe leiden dat de accu barst, wat brand, persoonlijk letsel en schade kan veroorzaken. Hierdoor vervalt ook de Makita-garantie op het Makita-gereedschap en de lader.

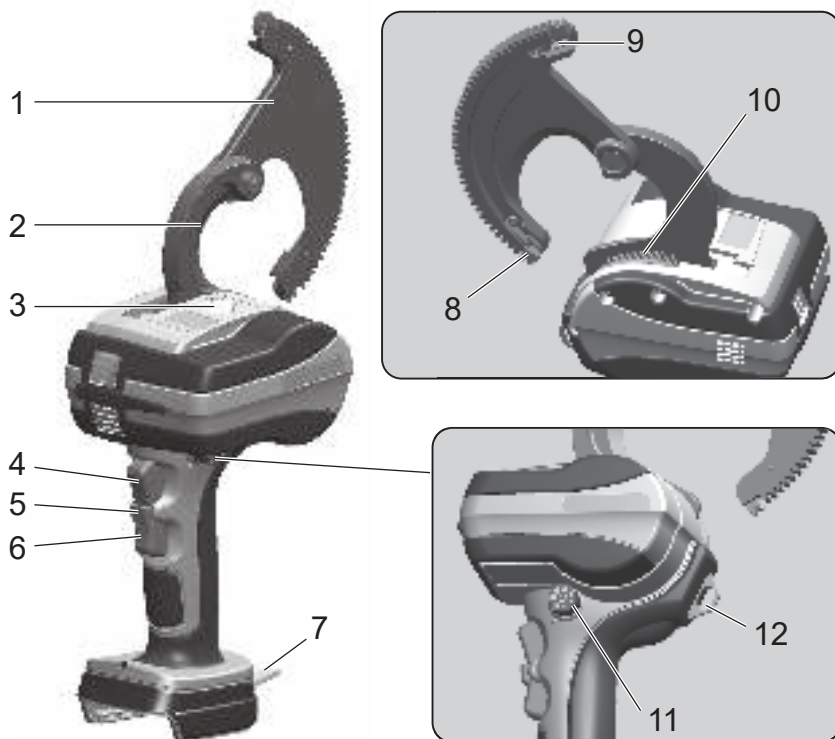
Tips voor een maximale levensduur van de accu

1. Laad de accu op voordat deze helemaal leeg is. Stop altijd met het gebruik van het gereedschap en laad de accu op als u merkt dat het gereedschap minder vermogen heeft.
2. Laad nooit een volledig opgeladen accucartridge op. Overmatig opladen verkort de levensduur van de accu.
3. Laad de accucartridge op bij kamertemperatuur van 10 °C - 40 °C (50 °F - 104 °F). Laat een hete accucartridge afkoelen voordat u deze oplaadt.
4. Als u de accucartridge niet gebruikt, verwijder deze dan uit het gereedschap of de lader.
5. Laad de accucartridge op als u deze langere tijd (meer dan zes maanden) niet gebruikt.

Namen en accessoires

DTC100

Snoerloze kabelschaar



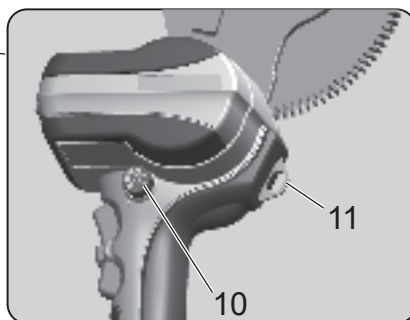
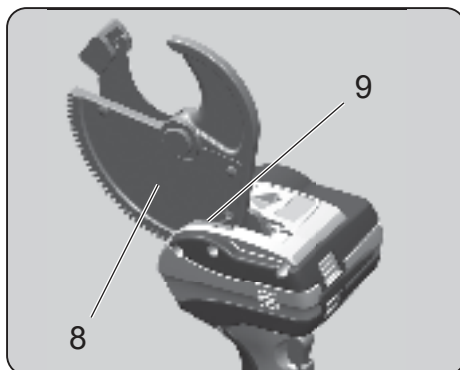
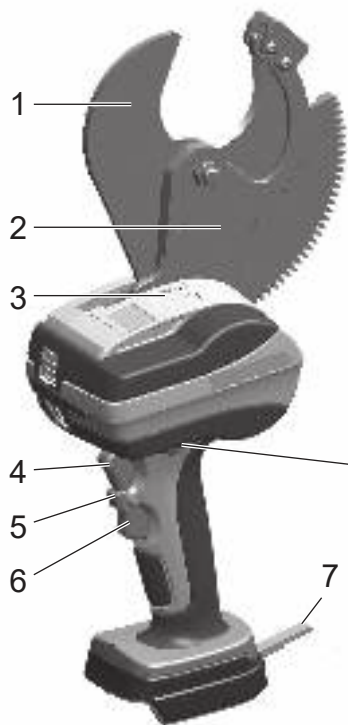
Draagtas



* Dit gereedschap is ontworpen voor de Makita lithium-ionaccu van 18 V.

1	Bewegend blad	7	Ophangriem
2	Vast blad	8	Tandwielgeleider (A)
3	LED-werklamp	9	Tandwielgeleider (B)
4	Schakelaar voor voorwaartse modus	10	Borstel (voor afstoffen)
5	Schakelaarvergrendeling	11	Draaiknop
6	Schakelaar voor achterwaartse modus	12	Ophangring

Snoerloze kabelschaar



Draagtas



* Dit gereedschap is ontworpen voor de Makita lithium-ionaccu van 18 V.

1	Bewegend blad	7	Ophangriem
2	Vast blad	8	Beweegbare bladplaat
3	LED-werklamp	9	Borstel (voor afstoffen)
4	Schakelaar voor voorwaartse modus	10	Draaiknop
5	Schakelaarvergrendeling	11	Ophangring
6	Schakelaar voor achterwaartse modus	—	—

Accu

- Op het moment van aankoop kan de accubeschermingsfunctie geactiveerd zijn omdat de accu niet voldoende opgeladen is. (Wees voorzichtig, want dit product kan gaan werken als u de schakelaar bedient.) Laad de accu vóór gebruik correct op met de snellader.
- Bevestig het accudeksel wanneer u het product niet gebruikt. Het beschermt de accu tegen water en stof.
- Als u het product langere tijd niet gebruikt, berg het dan op met de accu eruit.

De levensduur van de accu verlengen

- Als u merkt dat de kracht van het gereedschap zwak is geworden, stop dan met het gebruik en laad de accu op.
- Laad een volledig opgeladen accu niet opnieuw op.
- Laad de accu op bij een omgevingstemperatuur tussen 10 °C en 40 °C.
- Als de accu heet is geworden, zoals onmiddellijk na gebruik, raden we aan om deze in de lader te plaatsen om af te koelen en op te laden.
- Als een lithium-ionaccu lange tijd niet gebruikt wordt (minstens 6 maanden), raden we aan om deze op te laden en vervolgens op te bergen.

Inzameling van accu's

- Gebruikte accu's worden ingezameld voor recycling. Breng de accu naar de winkel waar u het product hebt gekocht of naar een Makita-verkoopkantoor.



Li-ion

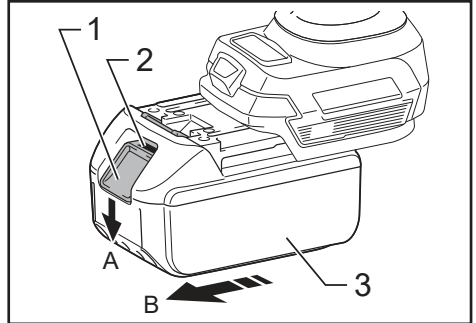
Recycle de lithium-ion-accu

De accu bevestigen en verwijderen

⚠ WAARSCHUWING:

Plaats de accu op de juiste manier in het product. Als het rode gedeelte bovenaan de knop zichtbaar is, is de accu niet volledig vergrendeld. Plaats de accu stevig totdat het rode gedeelte niet meer zichtbaar is.

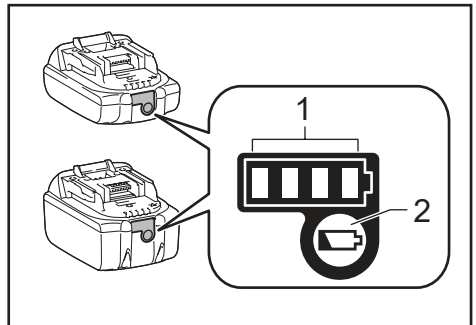
- Als de accu niet goed is geplaatst, kan deze losraken en een ongeval veroorzaken.
- Om de accu uit dit product te verwijderen, A. houdt u de knop op de voorkant van de accu ingedrukt en B. schuift u de accu om deze te verwijderen.
- Wanneer u de accu bevestigt, lijnt u de accu uit met de groeven in het product en plaatst u de accu vervolgens volledig door de procedure in omgekeerde volgorde uit te voeren. Als het rode gedeelte bovenaan de knop nog zichtbaar is, is de accu niet volledig vergrendeld. Plaats de accu op de juiste manier, helemaal totdat het rode gedeelte niet meer te zien is.



► 1. Knop 2. Rood gedeelte 3. Accu

Geeft de resterende accucapaciteit aan

Alleen voor accucartridges met indicator



► 1. Indicatielampjes 2. Controleknop

Druk op de controleknop op de accucartridge om de resterende accucapaciteit aan te geven. De indicatielampjes gaan enkele seconden branden.

Indicatielampjes			Resterende capaciteit
Brandend	Uit	Knipperend	
■ ■ ■ ■			75% tot 100%
■ ■ ■ □			50% tot 75%
■ ■ □ □			25% tot 50%
■ □ □ □			0% tot 25%
▬ □ □ □			Laad de accu op.
■ ■ □ □			De accu kan defect zijn.
□ □ ■ ■			

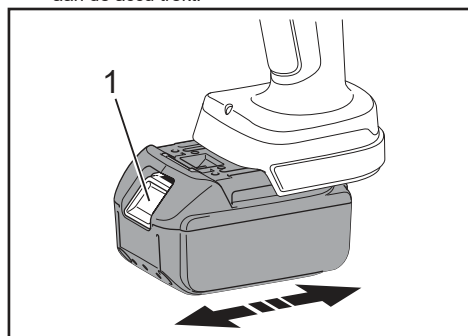
OPMERKING: Afhankelijk van de gebruiksomstandigheden en de omgevingstemperatuur kan de indicatie iets afwijken van de werkelijke capaciteit.

OPMERKING: Het eerste indicatielampje (uiterst links) knippert wanneer het accubeveiligingssysteem werkt.

Het gereedschap gebruiken

De accu bevestigen

1. Trek de accu naar buiten terwijl u op de vergrendeling drukt. Om de accu te vervangen, duwt u de nieuwe accu stevig op zijn plaats.
2. Controleer nadat u een accu hebt geplaatst of deze goed op zijn plaats zit door er voorzichtig aan te trekken. Druk niet op de vergrendeling wanneer u aan de accu trekt.

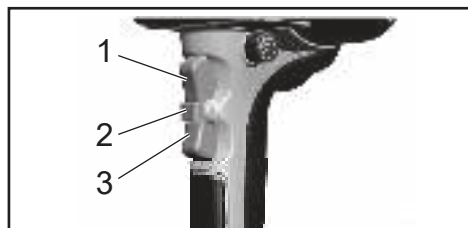


► 1. Vergrendeling

Schakelaarbediening

Om veiligheidsredenen heeft het gereedschap een tweevoudig werkend schakelaarsysteem.

Om de schakelaar voor de voorwaartse modus (knippen) en de achterwaartse modus (achteruit) te activeren, drukt u eerst op de schakelaarvergrendeling en vervolgens op de schakelaar voor de voorwaartse/achterwaartse modus.



- 1. Schakelaar voor voorwaartse modus
2. Schakelaarvergrendeling
3. Schakelaar voor achterwaartse modus

LED-werkverlichting

Dit gereedschap heeft een LED-lamp die de omtrek van het snijblad verlicht. De lamp gaat branden wanneer de schakelaar voor de voorwaartse of achterwaartse modus is ingeschakeld en gaat weer uit ongeveer 10 seconden nadat de schakelaar wordt losgelaten.

⚠ LET OP:

- Kijk niet rechtstreeks in de LED-lamp. Als u langere tijd naar de LED-lamp kijkt, kunnen uw ogen pijn doen.

Alarm bij lage accucapaciteit

Als de resterende capaciteit van de accu laag is, knippert het LED-lampje 5 keer als alarm wanneer de schakelaar voor de voorwaartse modus wordt ingeschakeld. Laad de accu op of vervang deze door een reserveaccu.

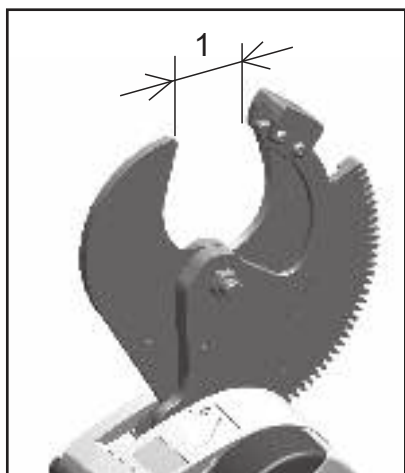
Knipbewerkingen

1. [DTC100]
Activeer de schakelaar om het bewegende blad te openen.

Gebruik de schakelaars voor de voorwaartse en achterwaartse modus om het bewegende blad in de neutrale stand te zetten.



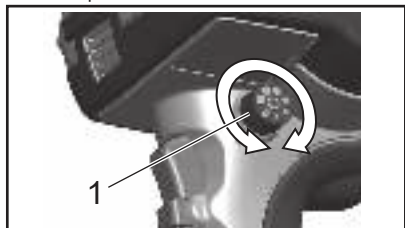
1. [DTC101]
Zorg ervoor dat de opening voldoende is. Zorg ervoor dat de opening groot genoeg is om een kabel door te steken. Als de opening te smal is, drukt u op de schakelaar voor de achterwaartse modus om deze te openen.



► 1. Opening

2. De draaiknop gebruiken om automatisch achteruit bewegen in of uit te schakelen

Beweeg de draaiknop naar de gewenste positie om automatisch achteruit bewegen in te schakelen, of zet hem op uit om uit te schakelen.

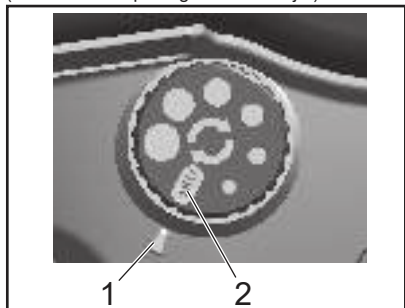


► 1. Draaiknop

Automatisch achteruit bewegen

Als automatisch achteruit bewegen is ingeschakeld, remt de motor af nadat een kabel is doorgeknipt. Zodra de schakelaar voor de voorwaartse modus wordt losgelaten, keert het bewegende blad automatisch terug zoals ingesteld door de draaiknop.

De opening kan op 6 niveaus worden ingesteld. (De mate van opening is een richtlijn.)



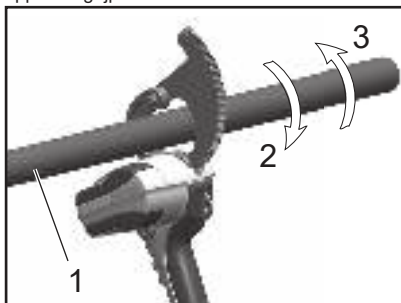
► 1. Mate van opening 2. Uit

⚠ LET OP:

- Automatisch achteruit bewegen wordt niet geactiveerd als de schakelaar voor de voorwaartse modus wordt losgelaten voordat het knippen is voltooid.
- Automatisch achteruit bewegen wordt niet geactiveerd bij fijne elektrische kabels van 60 mm² of minder.
- De openingsdiameter kan verschillen afhankelijk van de resterende accuspanning.

3. [DTC100]
Elektrische kabel in de opening van het bewegende blad steken

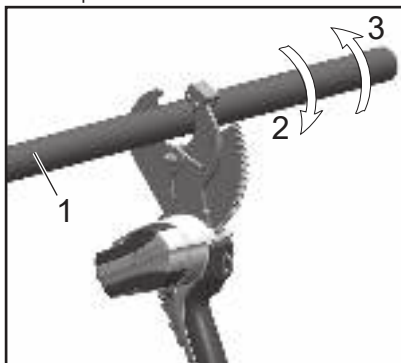
Plaats de door te knippen kabel op het vaste blad en sluit het bewegende blad om de kabel. Voer het bewegende blad met de hand zodat de tandwiel tanden in het aandrijfmechanisme van het apparaat grijpen.



► 1. Kabel 2. Snijrotatie
3. Omgekeerde rotatie

3. [DTC101]
Elektrische kabel in de opening van het bewegende blad steken

Plaats de te knippen kabel in de opening van het blad en op de kant van het vaste blad.



► 1. Kabel 2. Snijrotatie
3. Omgekeerde rotatie

4. De schakelaar voor de voorwaartse modus bedienen en de elektriciteitskabel doorknippen
Houd de schakelaar voor de voorwaartse modus ingedrukt totdat het knippen voltooid is.
5. Verwijder afval na het knippen.

Nadat u klaar bent met knippen, verwijdert u eventuele restjes of afval van het blad.

⚠ LET OP:

• **Langdurig gebruik**

Om de motor te beschermen moet u stoppen met het gebruik van het gereedschap als het gebied rond het waarschuingslabel heet wordt. Als u het gereedschap wilt blijven gebruiken, plaatst u het 50 minuten op een koele en goed geventileerde plaats totdat het is afgekoeld.

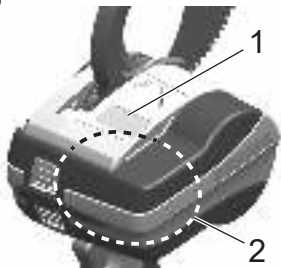
• **De overstroom-/overbelastingsbeveiliging kan ook worden geactiveerd als het gereedschap binnen de knipcapaciteit wordt gebruikt.**

De bedrijfstemperatuur, kabellengte, buiging en andere factoren beïnvloeden de prestaties van het gereedschap.

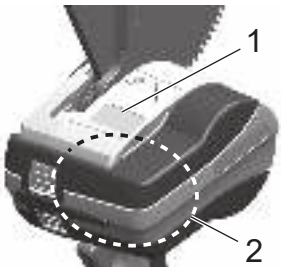
• **Als het LED-lampje 6 keer of vaker knippert, is er een foutmelding van de printplaat.**

Neem contact op met uw dealer.

DTC100



DTC101



- ▶ 1. Waarschuingslabel
- 2. Waarschuingsgebied voor hoge temperaturen

⚠ LET OP:

• **DTC100 en DTC101 zijn alleen voor koper- en aluminiumkabels. Gebruik dit gereedschap niet voor staal, ACSR of andere stalen materialen.**

De overstroombeveiligingsfunctie

Als er een overbelastingsstroom optreedt doordat kabel buiten de specificaties wordt geknipt, wordt de overstroombeveiligingsfunctie geactiveerd en stopt de motor. Om te herstellen, laat u de schakelaar voor de voorwaartse modus los.

Vervangen door reserveonderdelen (DTC100)

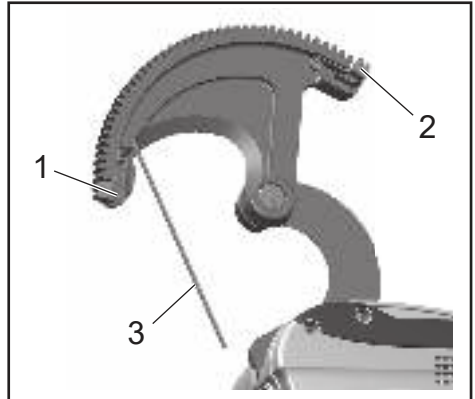
Volg de onderstaande procedure om de tandwielgeleider zelf te vervangen.

⚠ LET OP:

- Zorg ervoor dat u de accu uit het hoofdapparaat verwijdert voordat u de tandwielgeleider terugplaatst.
- Als de tandwielgeleider beschadigd is of een abnormaal geluid maakt, moet u deze onmiddellijk vervangen. Als u het product blijft gebruiken met een beschadigde tandwielgeleider, kunnen de interne tandwielen beschadigd raken.

De tandwielgeleider vervangen

1. De tandwielgeleider verwijderen
Gebruik een inbussleutel om de bout met zeskantig gat (M3 × 3) los te draaien en verwijder de tandwielgeleider.
2. De tandwielgeleider monteren
Monteer de nieuwe tandwielgeleider en draai de bout stevig vast.



- 1. Tandwielgeleider (A) 2. Tandwielgeleider (B)
3. Inbussleutel

Vervangen door reserveonderdelen (DTC101)

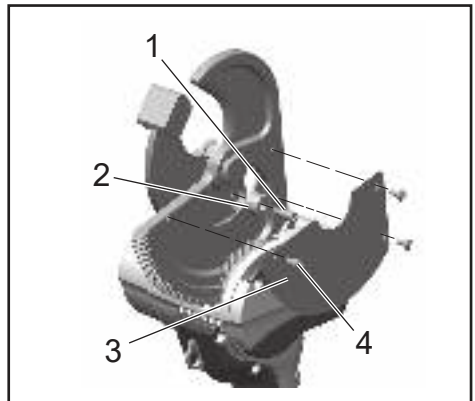
Volg de onderstaande procedure om de stop zelf te vervangen.

⚠ LET OP:

- Zorg ervoor dat u de accu uit het hoofdapparaat verwijdert voordat u de stop terugplaatst.

De stop vervangen

1. Verwijder de kruiskopschroeven, de plaat en de schouderbout (37) en verwijder vervolgens de stop.
2. Bevestig de nieuwe stop met de schouderbout, breng schroefborglijm aan op de schroef en draai deze volledig vast.
3. Bevestig de plaat en draai de kruiskopschroeven erin.

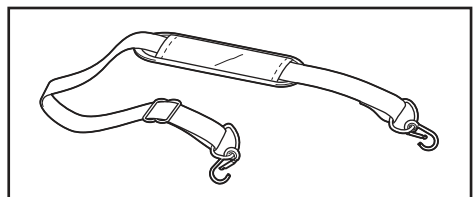


- 1. Schouderbout (37) 2. Stop 3. Plaat
4. Kruiskopschroeven

Optionele accessoires

• Schouderriem (161347-8)

Deze schouderriem wordt gebruikt door de ophangriem van dit gereedschap te verbinden.



Onderhoud/Inspectie

- Houd er rekening mee dat verwaarlozing van het dagelijks onderhoud/inspectie een storing in het gereedschap kan veroorzaken.
- Bewaar het gereedschap niet in een vochtige omgeving voor een goede werking van het gereedschap en om roestvorming te voorkomen.
- Als het gereedschap tijdens normaal gebruik beschadigd raakt (10.000 bewerkingen of meer, 1.000 sneden of meer), mag u het gereedschap niet opnieuw in gebruik nemen nadat u alleen het beschadigde onderdeel hebt vervangen, aangezien het gereedschap het einde van zijn levensduur heeft bereikt.
- Wanneer een onderdeel vuil is geworden, gebruikt u een zachte doek die met zeepwater is bevochtigd om het af te vegen.
- Als de accu alleen wordt opgeborgen, moet u het afdekplaatje op de accessoireaansluiting plaatsen om kortsluiting te voorkomen.
- Voor veiligheidsinspectie raden wij aan om het gereedschap ongeveer om de twee jaar naar de fabrikant te sturen (tegen betaling). Neem contact op met uw dealer voor meer informatie.

Specificaties

Snoerlose kabelschaar	DTC100	DTC101
Maximale knipbare diameter	Alleen non-ferromaterialen (AL of Cu)	
	φ50 mm (Cu bundel φ30 mm / Al bundel φ38 mm)	
Elektrische motor	Gelijkstroommotor	
Afmetingen	117 (D) × 320 (H) × 197 (B) (mm)	117 (D) × 380 (H) × 189 (B) (mm)
Gewicht	2,2 kg	2,9 kg

⚠ LET OP:

- DTC100 en DTC101 zijn alleen voor koper- en aluminiumkabels. Gebruik dit gereedschap niet voor staal, ACSR of andere stalen materialen.

Verklaringen van conformiteit

Alleen voor Europese landen

De Verklaringen van conformiteit zijn opgenomen in Aanhangsel A van deze gebruiksaanwijzing.

⚠ADVERTENCIA: Lea y comprenda todas las instrucciones y la información de seguridad contenidas en estas instrucciones y la guía del operador. El uso para aplicaciones imprevistas puede provocar lesiones graves o incluso la muerte.

- Gracias por adquirir nuestra cortadora de cable inalámbrica.
- Antes de empezar a utilizar el equipo, lea este manual de instrucciones a fondo y detenidamente. Después de leer el presente manual de instrucciones, guárdelo en un lugar de fácil acceso.

• Descripción

Las cortadoras mecánicas son dispositivos de corte que funcionan con batería y están diseñadas para cortar cables utilizados en la industria actual.

Precauciones de seguridad

⚠ADVERTENCIA: Lea todas las advertencias de seguridad y todas las instrucciones. Si no se siguen las advertencias y las instrucciones, se pueden producir descargas eléctricas, incendio y/o lesiones graves.

Conserve todas las advertencias e instrucciones para consultas futuras.

⚠ADVERTENCIA: Si no se utiliza este producto correctamente, el usuario puede morir o resultar gravemente herido.

1) Seguridad del área de trabajo

- a) Mantenga la zona de trabajo limpia y bien iluminada. Las zonas oscuras o desordenadas son más propensas a causar accidentes.
- b) No utilice herramientas eléctricas en atmósferas explosivas, por ejemplo, en presencia de líquidos, gases o polvos inflamables. Las herramientas eléctricas generan chispas que pueden prender polvo o gases.
- c) Mantenga a niños y personas ajenas lejos durante el uso de una herramienta eléctrica. Las distracciones pueden causar una pérdida de control.

2) Seguridad eléctrica

- a) Los enchufes de la herramienta eléctrica deben coincidir con la toma de conexión. Nunca modifique el enchufe. No utilice adaptadores de enchufe con herramientas eléctricas conectadas a tierra (masa). Los enchufes no modificados y las tomas de conexión correspondientes reducirán el riesgo de descarga eléctrica.
- b) Evite el contacto del cuerpo con superficies conectadas a tierra o masa, como tuberías, radiadores, estufas y refrigeradores. Existe mayor riesgo de descarga eléctrica si el cuerpo está conectado a tierra o masa.
- c) No exponga las herramientas eléctricas a la lluvia o condiciones de humedad. La penetración de agua en una herramienta eléctrica aumentará el riesgo de descarga eléctrica.

- d) No maltrate el cable. Nunca utilice el cable para transportar la herramienta eléctrica, tirar de ella o desenchufarla.

Mantenga el cable lejos de calor, aceite, bordes afilados o piezas móviles. Los cables dañados o enredados aumentan el riesgo de descarga eléctrica.

- e) Al utilizar una herramienta eléctrica al aire libre, utilice un cable de prolongación adecuado para usar en exteriores. El uso de un cable adecuado para utilizar en exteriores reduce el riesgo de descarga eléctrica.
- f) Si es inevitable utilizar una herramienta eléctrica en una ubicación húmeda, utilice una fuente de alimentación protegida con un dispositivo de corriente residual (RCD). El uso de un RCD reduce el riesgo de descarga eléctrica.

3) Seguridad personal

- a) Al utilizar una herramienta eléctrica, permanezca alerta, esté atento a lo que está haciendo y aplique el sentido común.
No utilice una herramienta eléctrica si se siente cansado o está bajo la influencia de drogas, alcohol o medicación. Cualquier mínima distracción durante el uso de una herramienta eléctrica puede provocar lesiones personales graves.
- b) Utilice equipo de protección individual. Utilice siempre protección ocular. El uso de equipo de protección para las condiciones apropiadas, como mascarillas antipolvo, zapatos de seguridad antideslizantes o protección auditiva, reducirá las lesiones personales.
- c) Evite un arranque accidental. Antes de conectar la fuente de alimentación y/o paquete de baterías, levante o transporte la herramienta, asegúrese de que el interruptor está en la posición de desconexión. Transportar herramientas eléctricas con el dedo sobre el interruptor o aplicar energía a herramientas eléctricas que tengan el interruptor conectado aumenta las probabilidades de accidente.
- d) Antes de encender la herramienta eléctrica, extraiga cualquier llave de ajuste o mecánica. Una llave que se haya dejado conectada a una pieza giratoria de la herramienta eléctrica puede provocar lesiones personales.

- e) No se incline demasiado. Mantenga una posición y un equilibrio correctos en todo momento. Esto permite controlar mejor la herramienta eléctrica en situaciones imprevistas.
- f) Vista de manera adecuada. No utilice ropa holgada ni joyas. Mantenga el pelo, la ropa y los guantes lejos de las piezas móviles. La ropa holgada, las joyas o el pelo largo pueden quedar atrapados en las piezas móviles.
- g) Si los dispositivos disponen de conexión para dispositivos de extracción y recolección de polvo, compruebe que están conectados y que se utilizan correctamente. El uso de la función de recolección de polvo puede reducir los riesgos relacionados con el polvo.
- h) No permita que la familiaridad adquirida con el uso frecuente de las herramientas le haga bajar la guardia e ignorar los principios de seguridad de la herramienta. Un descuido puede provocar una lesión grave en una fracción de segundo.

4) Uso y cuidado de la herramienta eléctrica

- a) No fuerce la herramienta eléctrica. Utilice la herramienta eléctrica correcta para la aplicación. La herramienta eléctrica correcta realizará mejor el trabajo y de manera más segura al ritmo para el que fue diseñada.
- b) No utilice la herramienta eléctrica si no se puede encender y apagar con el interruptor. Cualquier herramienta eléctrica que no se pueda controlar con el interruptor es peligrosa y debe repararse.
- c) Desconecte el enchufe de la fuente de alimentación y/o el paquete de baterías de la herramienta eléctrica antes de efectuar cualquier ajuste, cambiar accesorios o almacenar herramientas eléctricas. Dichas medidas de seguridad preventiva reducen el riesgo de poner en marcha la herramienta eléctrica de manera accidental.
- d) Almacene las herramientas eléctricas que no se utilicen fuera del alcance de los niños y no permita utilizarla a personas que no estén familiarizadas con la herramienta eléctrica o estas instrucciones. Las herramientas eléctricas son peligrosas en manos de usuarios sin formación.
- e) Realice el mantenimiento de las herramientas eléctricas y los accesorios. Compruebe si existe desalineación o atasco de piezas móviles, rotura de piezas y cualquier otra condición que pueda afectar al funcionamiento de la herramienta eléctrica. Si la herramienta eléctrica está dañada, repárela antes de utilizarla. Muchos accidentes ocurren por el uso de herramientas eléctricas con un mantenimiento deficiente.
- f) Mantenga las herramientas de corte afiladas y limpias. Las herramientas de corte con bordes de corte afilados con un mantenimiento correcto son menos propensas a atascarse y son más fáciles de controlar.
- g) Utilice la herramienta eléctrica, los accesorios y las puntas de la herramienta, etc., de acuerdo con estas instrucciones, teniendo en cuenta las condiciones de trabajo y el trabajo que se va a realizar.

El uso de la herramienta eléctrica para operaciones distintas a las proyectadas podría provocar situaciones peligrosas.

- h) Mantenga las superficies de asas y sujeciones secas, limpias y libres de aceite y grasa. Las superficies resbaladizas de asas y sujeciones impiden una manipulación y control seguros de la herramienta en situaciones inesperadas.

5) Uso y cuidado de la batería de la herramienta

- a) Realice la carga únicamente con el cargador especificado por el fabricante. Un cargador que sea adecuado para un tipo de paquete de baterías puede suponer un riesgo de incendio si se utiliza con otro tipo de paquete de baterías.
- b) Utilice las herramientas eléctricas únicamente con paquetes de baterías diseñados específicamente para ellas. El uso de cualquier otro tipo de paquete de baterías puede generar un riesgo de lesiones e incendio.
- c) Cuando no se utilice el paquete de baterías, manténgalo lejos de otros objetos metálicos, como clips, monedas, llaves, clavos, tornillos u otros objetos metálicos pequeños que puedan establecer una conexión de un terminal al otro. El cortocircuito de los terminales de la batería juntos puede causar quemaduras o un incendio.
- d) En condiciones indebidas, puede salir líquido de la batería. En ese caso, evite el contacto con el mismo. Si se produce un contacto accidental, enjuague con agua. Si el líquido entra en contacto con los ojos, acuda al médico.
El líquido expulsado de la batería puede causar irritación o quemaduras.
- e) No utilice un paquete de baterías o herramienta que esté dañado o haya sido modificado. Las baterías dañadas o modificadas pueden mostrar un comportamiento imprevisible ocasionando un incendio, explosión o riesgo de lesión.
- f) No exponga el paquete de baterías o la herramienta al fuego o a una temperatura excesiva. La exposición a llamas o temperaturas superiores a 130 °C puede causar una explosión.
- g) Siga todas las instrucciones de carga y no cargue el paquete de baterías o la herramienta fuera del intervalo de temperaturas especificado en las instrucciones. Una carga incorrecta o a temperaturas que no se ajusten el intervalo especificado puede dañar la batería y aumentar el riesgo de incendio.

6) Servicio

- a) Para realizar el mantenimiento de la herramienta eléctrica, acuda a una persona cualificada para reparaciones que utilice únicamente piezas de repuesto idénticas. De este modo se garantizará el mantenimiento de la seguridad de la herramienta eléctrica.
- b) Nunca realice el mantenimiento de paquetes de baterías dañados. El servicio de paquetes de baterías solo debe ser realizado por el fabricante o por proveedores de servicio autorizados.

Al realizar una operación en la que el dispositivo de fijación pueda entrar en contacto con cableado oculto, sujete la herramienta eléctrica por las superficies de sujeción aisladas. Los dispositivos de fijación en contacto con un cable activo pueden activar las piezas metálicas expuestas de la herramienta eléctrica y podrían provocar una descarga eléctrica al operador.

Utilice un cargador de batería y paquete de baterías Makita original.

- Utilice un paquete de baterías original para esta herramienta.
- No cargue el paquete de baterías con otro cargador de baterías. De lo contrario, se podría causar una ruptura, que podría provocar un accidente o lesión.

Cargue el paquete de baterías de manera correcta.

- Utilice una fuente de alimentación con indicación nominal para conectar el cargador de baterías suministrado con este producto.
- No utilice una fuente de alimentación de CC ni un generador de alimentación accionado por motor para cargar el paquete de baterías. De lo contrario, se podría generar demasiado calor y provocar un incendio.
- Cuando la temperatura del ambiente, el paquete de baterías o el cargador de batería sea inferior a 0 °C o superior a 40 °C, no cargue el paquete de baterías. De lo contrario, podría ocurrir una ruptura o un incendio.
- Al cargar el paquete de baterías, seleccione un lugar bien ventilado para la carga.
- No cubra el paquete de baterías con un trapo durante la carga. De lo contrario, podría ocurrir una ruptura o un incendio.
- Asegúrese de desconectar el enchufe de alimentación después de la carga.
De lo contrario, podría producirse una descarga eléctrica o un incendio.

No apunte la cortadora hacia personas durante su uso.

- De lo contrario, se podrían producir lesiones.

No cortocircuite los terminales del paquete de baterías.

- Cuando se guarde el paquete de baterías solo, asegúrese de colocar la tapa del terminal sobre el terminal para evitar cortocircuitos. Asegúrese de que los terminales de la batería no se cortocircuitan con otras piezas metálicas como tornillos, clavos, etc.

No someta el paquete de baterías a llamas.

- De lo contrario, se podría causar una ruptura o fugas de material peligroso.

No utilice la herramienta en piezas con electricidad activa.

- La herramienta no está aislada. El uso de la herramienta en lugares electrificados puede causar descargas eléctricas.
- No toque el enchufe de alimentación ni el paquete de baterías con las manos húmedas. De lo contrario, se podría producir una descarga eléctrica.

Extraiga el paquete de baterías del cuerpo de la herramienta en las siguientes circunstancias.

- Cuando no se utilice o para reparación
- Al reemplazar piezas de repuesto
- Otras ocasiones en las que se sospeche de peligro
El incumplimiento de estas advertencias puede provocar que la herramienta se active accidentalmente y cause lesiones.

Arranque inesperado de la herramienta.

- Al mover la herramienta, asegúrese de mantener los dedos alejados del activador. El arranque inesperado de la herramienta puede causar lesiones.

Utilice únicamente accesorios especificados.

- No utilice accesorios distintos de los indicados en este manual de instrucciones o nuestro catálogo. De lo contrario, se podría producir un accidente o lesión.

Utilice equipo de protección.

- Utilice gafas de seguridad durante el uso. Si la operación genera polvo, utilice una mascarilla de protección. Al cortar, pueden dispersarse piezas pequeñas y causar lesiones.

No mire fijamente a la luz de trabajo de LED.

- Puede dañar la visión.

Considere el entorno de trabajo.

- No utilice la herramienta, el cargador de batería o el paquete de baterías bajo la lluvia ni en un lugar húmedo o mojado. De lo contrario, podría producirse una descarga eléctrica o humo.
- Realice el trabajo en un lugar suficientemente iluminado. Trabajar en un lugar oscuro puede causar un accidente.
- No utilice ni cargue la batería en presencia de líquidos o gases inflamables. De lo contrario, podría producirse una explosión o un incendio.

Mantenga el lugar de trabajo limpio en todo momento.

- Los bancos y lugares desordenados pueden causar un accidente.

Mantenga a los niños lejos de la herramienta.

- No permita a personas distintas de los operadores tocar la herramienta y el cable del cargador de batería. Mantenga a las personas lejos del lugar de trabajo. De lo contrario, se podrían producir lesiones.

Cuando no utilice la herramienta, guárdela correctamente.

- Guarde la herramienta en un lugar con bajo nivel de humedad y en una posición alta para que no puedan llegar niños, o bien, en un lugar que pueda bloquearse. De lo contrario, se podría causar un accidente.
- No guarde la herramienta o el paquete de baterías en un lugar donde la temperatura pueda subir por encima de 40 °C (dentro de una caja de metal, dentro de un vehículo en verano, etc.). De lo contrario, se puede deteriorar el paquete de baterías, lo que puede generar humo o inflamación.

No utilice la herramienta de manera irracional.

- Utilice la herramienta de acuerdo con su capacidad para un uso seguro y eficiente. El uso de la herramienta por encima de su capacidad puede causar un accidente.
- No utilice la herramienta de una manera irracional que pueda causar el bloqueo del motor. De lo contrario, podría producirse humo o un incendio.

Utilice una herramienta adecuada para el uso.

- No utilice la herramienta para aplicaciones distintas a las especificadas. De lo contrario, se podrían producir lesiones.

Utilice la herramienta con ropa adecuada.

- No utilice ropa ni accesorios holgados, como un collar. Dichos elementos pueden quedar atrapados en una pieza móvil, una parte giratoria o similar.
- Cuando el uso se realice al aire libre, se recomienda el uso de guantes de goma y zapatos antideslizantes. Los guantes y zapatos deslizantes pueden causar lesiones.
- Si el operador tiene el pelo largo, debe utilizar un gorro o una redcilla para cubrir el cabello. De lo contrario, el pelo puede quedar atrapado en una pieza móvil, una parte giratoria o similar.

No utilice la herramienta con una postura poco natural.

- Guarde una posición correcta en todo momento y mantenga el equilibrio. De lo contrario, podría caerse y sufrir una lesión.

Permanezca alerta al trabajar con máxima atención.

- Al utilizar la herramienta, preste atención al método de manipulación, el modo de uso y las circunstancias del entorno, y realice la operación con cuidado. De lo contrario, se podría causar un accidente o lesión.
- No utilice la herramienta bajo la influencia del alcohol. De lo contrario, se podría causar un accidente o lesión.
- No utilice la herramienta si no está en buenas condiciones físicas. De lo contrario, se podría causar un accidente o lesión.

No manipule el cable del cargador de batería de manera brusca.

- No transporte el cargador por el cable ni tire de él para desenchufarlo de la toma de alimentación.
- Mantenga el cable lejos de calor, aceite y bordes afilados.
- Asegúrese de que el entorno de carga está libre y no hay peligro de tropezar con el cable o pisarlo. De lo contrario, podría producirse una descarga eléctrica o un cortocircuito, que puede provocar un incendio.

Utilice un cable de prolongación con especificaciones para uso en exteriores.

- Si utiliza la herramienta en el exterior, utilice un cable de prolongación fabricado con cable con cobertura de caucho resistente.

Realice el mantenimiento de la herramienta con cuidado.

- Al reemplazar piezas de repuesto, siga el manual de instrucciones. De lo contrario, se podrían producir lesiones.
- Inspeccione el cable del cargador de batería de manera periódica. Si el cable está dañado, acuda al servicio autorizado para su reparación. De lo contrario, podría producirse una descarga eléctrica o un cortocircuito, que puede provocar un incendio.
- Si se utiliza un cable de prolongación, inspeccione el cable de manera periódica. Si el cable está dañado, sustitúyalo por uno nuevo. De lo contrario, podría producirse una descarga eléctrica o un cortocircuito, que puede provocar un incendio.
- Mantenga la sujeción limpia y seca en todo momento, así como lejos de aceite y grasa. De lo contrario, se podrían producir lesiones.

Compruebe si existen piezas dañadas.

- Compruebe que no haya nada dañado antes de cada uso. Confirme que la herramienta funciona con normalidad y que todos los componentes funcionan correctamente.
- Compruebe la alineación de las piezas móviles, su funcionamiento uniforme, si existen piezas rotas, el soporte y cualquier otra condición que pueda afectar al funcionamiento.
- No utilice un cargador de batería cuyo enchufe de alimentación o cable esté dañado o que se haya caído y dañado. De lo contrario, podría producirse una descarga eléctrica o un cortocircuito, que puede provocar un incendio. Si está dañado, debe repararse correctamente o sustituirse en un servicio autorizado; a menos que se indique lo contrario en este manual de instrucciones. Acuda a un servicio autorizado para reemplazar los interruptores defectuosos. No utilice la herramienta si no se puede encender y apagar con el interruptor. Dicha herramienta puede funcionar de manera incorrecta y puede provocar lesiones.

Acuda al servicio autorizado para su reparación.

- No desmonte, repare ni modifique la unidad principal, el cargador de batería o el paquete de baterías. De lo contrario, podría producirse un incendio o un funcionamiento anómalo, que podría causar lesiones.
- Si la herramienta se calienta o si se detecta alguna anomalía en la herramienta, solicite su inspección o reparación.
- Esta herramienta se ha construido de acuerdo con los requisitos de seguridad relevantes. No intente modificar este producto.
- Acuda a un centro de servicio autorizado para reparar la herramienta. Las reparaciones deben ser realizadas únicamente por una persona cualificada y utilizando piezas de repuesto originales. De lo contrario, podría generarse un peligro considerable para el usuario.

Precauciones al utilizar la cortadora de cable inalámbrica

- Al utilizar esta herramienta, siga las instrucciones que aparecen a continuación:

Precauciones para la herramienta

- **Nunca corte nada por encima de la capacidad de corte máxima.**

Proceda con precaución, ya que su incumplimiento podría ocasionar daños. (consulte la página 99)

- **No toque el borde de corte de las hojas móviles o fijas.**

De lo contrario, se podrían producir lesiones.

- **Nunca corte cables activos (cables eléctricos que estén conduciendo electricidad).**

- **No deje caer la herramienta ni la someta a un impacto excesivo.**

La estructura interna se ha fabricado de manera precisa para que sea compacta y ligera, por lo que podría no funcionar correctamente si se somete a un impacto.

- **No utilice la herramienta bajo la lluvia.**

De lo contrario, la hoja podría oxidarse y el borde de corte podría perder afilado o producir daños.

- **No corte excesos de longitud de cable de 50 mm o menos.**

El corte de excesos de longitud de los extremos de CCP y otros cables extremadamente cortos puede provocar el corte de los interiores del cable, etc.

- **No aplique fuerza contra la dirección de corte.**

Corte los materiales siempre rectos. De lo contrario, podría dañarse la hoja de corte.

- **Sujete con seguridad.**

De lo contrario, se podrían producir lesiones.

- **Antes de usar la herramienta en una ubicación alta, asegúrese de que no haya nadie debajo.**

De lo contrario, se podría provocar un accidente si cae material o se cae el dispositivo, etc.

- **Asegúrese de que no haya anomalías antes del uso.**

La existencia de grietas o fracturas en la cortadora puede dañar la herramienta y ocasionar lesiones.

- **Haga pausas durante el uso.**

Un corte prolongado sin descansos aumenta el calor del motor y puede generar un sobrecalentamiento del motor y el paquete de baterías, ocasionando daños. Asegúrese de realizar pausas ocasionales durante el uso.

- **Las temperaturas ambiente bajas (10 °C o menos) pueden endurecer el cable eléctrico y dificultar el corte, incluso cuando se ajuste a la capacidad de corte.**

- **Limpie con aire, etc., después de cada uso.**

Tenga cuidado para evitar que las virutas y otros restos entren en la unidad por la abertura (accionador de cuchilla móvil).

- **No corte cables eléctricos con hilos de 1 mm de diámetro.**

De lo contrario, la cuchilla de la cortadora podría quedarse atrapada en el cable eléctrico y bloquearse.

Precauciones al utilizar el paquete de baterías

- Nunca cortocircuite los terminales.
- Mantenga el paquete de baterías lejos de agua, aceite y disolventes orgánicos.
- No desmonte ni modifique el paquete de baterías.
- Si se desecha el paquete de baterías, no lo ponga a llamas ni lo elimine como residuos generales. (Fomentamos el reciclaje).
- No tire ni deje caer el paquete de baterías.
- No deje el paquete de baterías en un lugar con una temperatura de 40 °C o superior durante un periodo prolongado.
- No cortocircuite la batería dejando polvo o suciedad en el terminal, ya que esto ocasionaría un funcionamiento incorrecto. Si el terminal se corroe, no utilice el paquete de baterías.
- El paquete de baterías dispone de una función de protección que detiene la salida para prolongar su vida útil. El motor puede detenerse cuando el nivel restante de la batería es bajo incluso al pulsar el interruptor de funcionamiento durante el uso de la herramienta. No obstante, este fenómeno no está causado por un funcionamiento incorrecto, sino por la función de protección. En ese caso, cargue inmediatamente la batería.

Precauciones para el cargador de batería

- Este cargador de batería tiene una lámpara indicadora (LED multicolor) para mostrar el estado de carga de la batería.
- No cortocircuite el cargador dejando polvo o suciedad en la ranura de inserción, ya que esto ocasionaría un funcionamiento incorrecto. Si el terminal de metal se corroe, no utilice el cargador de batería.

SÍMBOLOS DE ADVERTENCIA



Antes de utilizar la herramienta, lea atentamente las instrucciones de este manual.



Área de advertencia de alto nivel de calor

Para proteger el motor, no utilice la herramienta si el área de advertencia de alto nivel de calor se calienta. (consulte la página 97)



No tocar durante el funcionamiento.

Símbolos



Sólo para países de la Unión Europea
Debido a la presencia de componentes peligrosos en el equipo, el equipo eléctrico y electrónico, los acumuladores y las baterías desechados pueden tener un impacto negativo para el medioambiente y la salud humana.

¡No tire los aparatos eléctricos y electrónicos ni las baterías junto con los residuos domésticos!

De conformidad con las Directivas Europeas sobre residuos de aparatos eléctricos y electrónicos y sobre acumuladores y baterías y residuos de acumuladores y baterías, así como la adaptación de las mismas a la ley nacional, el equipo eléctrico, las baterías y los acumuladores desechados deberán ser almacenados por separado y trasladados a un punto distinto de recogida de desechos municipales, que cumpla con los reglamentos sobre protección medioambiental.

Esto se indica mediante el símbolo de cubo de basura tachado colocado en el equipo.

Ruido

El nivel de ruido A-ponderado típico determinado de acuerdo con la norma EN62841-1:

Nivel de presión sonora ($K=3$ dB(A)): 69,5 dB(A)

Nivel de potencia sonora ($K=3$ dB(A)): 78,1 dB(A)

NOTA: El valor (o los valores) de emisión de ruido declarado ha sido medido de acuerdo con un método de prueba estándar y se puede utilizar para comparar una herramienta con otra.

NOTA: El valor (o valores) de emisión de ruido declarado también se puede utilizar en una valoración preliminar de exposición.

⚠ADVERTENCIA: Póngase protectores para oídos.

⚠ADVERTENCIA: La emisión de ruido durante la utilización real de la herramienta eléctrica puede variar del valor (o los valores) de emisión declarado dependiendo de las formas en las que la herramienta sea utilizada, especialmente qué tipo de pieza de trabajo se procesa.

⚠ADVERTENCIA: Asegúrese de identificar medidas de seguridad para proteger al operario que estén basadas en una estimación de la exposición en las condiciones reales de utilización (teniendo en cuenta todas las partes del ciclo operativo como las veces cuando la herramienta está apagada y cuando está funcionando en vacío además del tiempo de gatillo).

Vibración

El valor total de la vibración (suma de vectores triaxiales) determinado de acuerdo con la norma EN62841-1:

Mango: $0,3$ m/s²

Error (K): $1,5$ m/s²

NOTA: El valor (o los valores) total de emisión de vibración declarado ha sido medido de acuerdo con un método de prueba estándar y se puede utilizar para comparar una herramienta con otra.

NOTA: El valor (o los valores) total de emisión de vibración declarado también se puede utilizar en una valoración preliminar de exposición.

⚠ADVERTENCIA: La emisión de vibración durante la utilización real de la herramienta eléctrica puede variar del valor (o los valores) de emisión declarado dependiendo de las formas en las que la herramienta sea utilizada, especialmente qué tipo de pieza de trabajo se procesa.

⚠ADVERTENCIA: Asegúrese de identificar medidas de seguridad para proteger al operario que estén basadas en una estimación de la exposición en las condiciones reales de utilización (teniendo en cuenta todas las partes del ciclo operativo como las veces cuando la herramienta está apagada y cuando está funcionando en vacío además del tiempo de gatillo).

Cartucho de batería y cargador aplicables

Cartucho de batería	BL1815N / BL1820B / BL1830B / BL1840B / BL1850B / BL1860B
Cargador	DC18RC / DC18RD / DC18RE / DC18SD / DC18SE / DC18SF / DC18SH / DC18WC

- Algunos de los cartuchos de batería y cargadores indicados arriba podrían no estar disponibles en función de la región de residencia.
- Para cargar la batería, lea el manual de instrucciones del cargador de batería.

⚠ ADVERTENCIA: Utilice únicamente los cartuchos de batería y cargadores enumerados anteriormente. El uso de cualquier otro cartucho de batería y cargador puede provocar lesiones y/o incendio.

Instrucciones de seguridad importantes para el cartucho de batería

1. **Antes de utilizar el cartucho de batería, lea todas las instrucciones y marcas de precaución del (1) cargador de batería, la (2) batería y el (3) producto que utiliza la batería.**
2. **No desmonte ni manipule el cartucho de batería.** Podría ocasionarse un incendio, calor excesivo o una explosión.
3. **Si el tiempo de funcionamiento se ha reducido excesivamente, deje de utilizar la herramienta inmediatamente.** Podría existir un riesgo de sobrecalentamiento, posibles quemaduras e incluso una explosión.
4. **Si entra electrolito en los ojos, lávelos con abundante agua limpia y acuda al médico inmediatamente.** Podría producirse una pérdida de visión.
5. **No cortocircuite el cartucho de batería:**
 - (1) **No toque los terminales con material conductivo.**
 - (2) **Evite almacenar el cartucho de batería en un contenedor con otros objetos de metal como clavos, monedas, etc.**
 - (3) **No exponga el cartucho de batería al agua o la lluvia.**

Un cortocircuito de la batería puede ocasionar un gran flujo de corriente, sobrecalentamiento, posibles quemaduras e incluso una avería.
6. **No almacene ni utilice la herramienta y el cartucho de batería en lugares donde la temperatura pueda alcanzar o superar 50 °C (122 °F).**
7. **No queme el cartucho de batería, aunque esté gravemente dañado o completamente agotado.** El cartucho de batería puede explotar en un incendio.
8. **No clave, corte, aplaste, lance, deje caer el cartucho de batería, ni tampoco lo golpee contra un objeto duro.** Dicha conducta podría ocasionar un incendio, calor excesivo o una explosión.
9. **No utilice una batería dañada.**
10. **Las baterías de iones de litio que contiene están sujetas a los requisitos de la legislación de mercancías peligrosas.**

Para los transportes comerciales (por ejemplo, realizados por terceros, transportistas, etc.), debe cumplirse el requisito especial de embalaje y etiquetado.

Para preparar el artículo que se va a enviar, es necesario consultar a un experto en material peligroso. Cumpla también si es posible con regulaciones nacionales más detalladas.

Aplique cinta o enmascare los contactos abiertos y empaquete la batería de manera que no pueda desplazarse por el embalaje.
11. **Al desechar el cartucho de batería, extráigalo de la herramienta y deséchelo en un lugar seguro.** Siga las regulaciones locales en materia de eliminación de baterías.
12. **Utilice las baterías únicamente con los productos especificados por Makita.** La instalación de las baterías en productos no compatibles puede tener como resultado un incendio, calor excesivo, explosión o fuga de electrolito.
13. **Si la herramienta no se va a utilizar durante un periodo de tiempo prolongado, debe extraerse la batería.**
14. **Durante el uso y después del uso, el cartucho de batería puede retener calor y causar quemaduras o quemaduras por baja temperatura.** Preste atención a la manipulación de cartuchos de batería calientes.
15. **No toque el terminal de la herramienta inmediatamente después de su uso, ya que puede estar lo suficientemente caliente como para causar quemaduras.**
16. **No permita que queden atrapados polvo, suciedad o virutas en los terminales, orificios y ranuras del cartucho de batería.** Podrían causar calentamiento, incendio, explosión y un funcionamiento incorrecto de la herramienta o el cartucho de batería, provocando quemaduras o lesiones personales.

17. **A menos que la herramienta admita el uso cerca de cables de alimentación de alta tensión, no utilice el cartucho de batería cerca de cables de alimentación de alta tensión.** Se puede producir un funcionamiento incorrecto o una avería de la herramienta o el cartucho de batería.
18. **Mantenga la batería lejos de los niños.**

CONSERVE ESTAS INSTRUCCIONES.

⚠PRECAUCIÓN:

- **Utilice solo baterías Makita originales.**

El uso de baterías no originales de Makita, o baterías que hayan sido modificadas, puede provocar la explosión de la batería ocasionando incendios, lesiones personales y daños. Además, anulará la garantía de Makita para la herramienta y el cargador Makita.

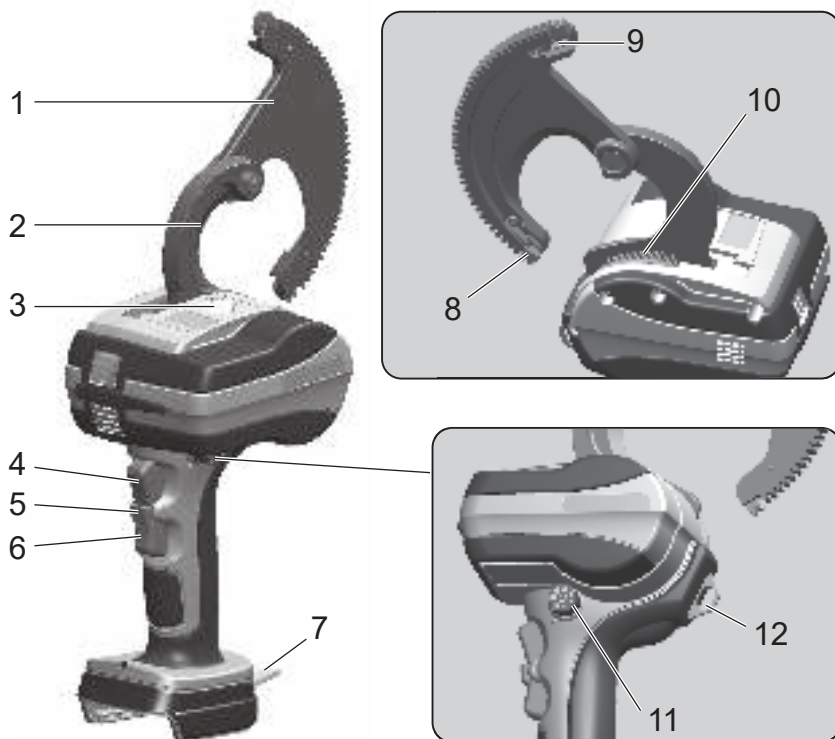
Sugerencias para mantener la máxima vida útil de la batería

1. **Cargue el cartucho de batería antes de que se descargue por completo. Cuando perciba menos potencia en la herramienta, detenga siempre su funcionamiento y cargue el cartucho de batería.**
2. **Nunca recargue un cartucho de batería completamente cargado. El sobrecalentamiento acorta la vida útil de la batería.**
3. **Cargue el cartucho de batería con una temperatura de la sala de 10 °C - 40 °C (50 °F - 104 °F). Deje enfriar los cartuchos de batería calientes antes de cargarlos.**
4. **Cuando no utilice el cartucho de batería, extráigalo de la herramienta o el cargador.**
5. **Cargue el cartucho de batería si no lo va a utilizar durante un periodo prolongado (más de seis meses).**

Nombres y accesorios

DTC100

Cortadora de cable inalámbrica



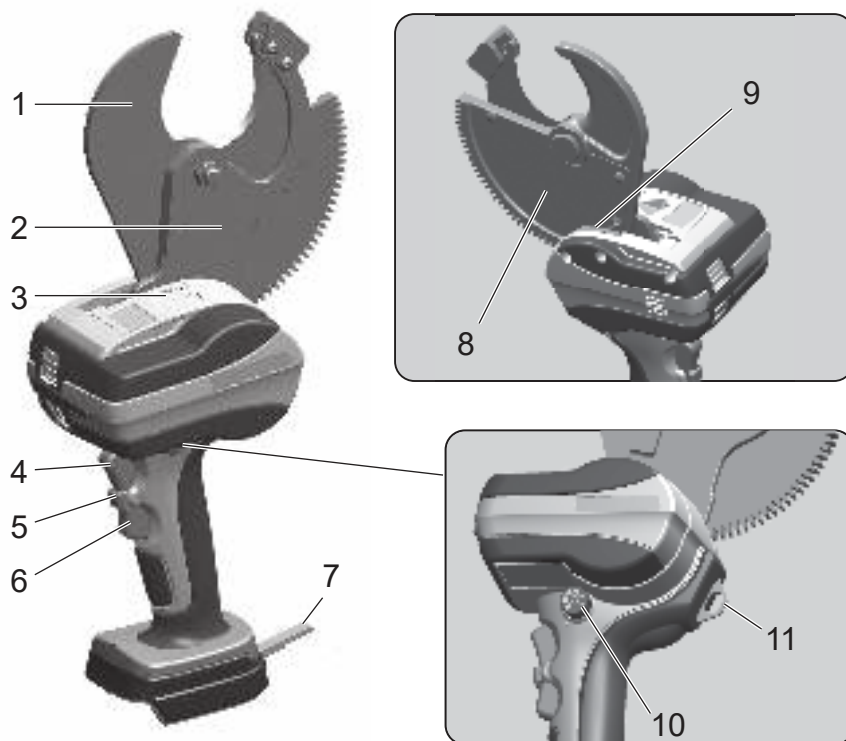
Maletín de transporte



* Esta herramienta está diseñada para la batería de iones de litio Makita de 18 V.

1	Cuchilla móvil	7	Correa para colgar
2	Cuchilla fija	8	Guía de engranaje (A)
3	Luz de trabajo de LED	9	Guía de engranaje (B)
4	Interruptor de modo de avance	10	Cepillo (para polvo)
5	Bloqueo del interruptor	11	Selector
6	Interruptor de modo de retroceso	12	Anilla para colgar

Cortadora de cable inalámbrica



Maletín de transporte



* Esta herramienta está diseñada para la batería de iones de litio Makita de 18 V.

1	Cuchilla móvil	7	Correa para colgar
2	Cuchilla fija	8	Placa de cuchilla móvil
3	Luz de trabajo de LED	9	Cepillo (para polvo)
4	Interruptor de modo de avance	10	Selector
5	Bloqueo del interruptor	11	Anilla para colgar
6	Interruptor de modo de retroceso	—	—

Batería

Batería

- En el momento de la compra, la función de protección de la batería puede estar activada porque la batería no esté suficientemente cargada. (Tenga cuidado, ya que este producto puede empezar a funcionar si acciona el interruptor). Cargue correctamente la batería con el cargador rápido antes de utilizar el producto.
- Cuando no utilice el producto, coloque la tapa de la batería. De este modo contribuirá a proteger la batería contra la entrada de agua y polvo.
- Cuando no utilice el producto durante un periodo prolongado, guárdelo con la batería retirada.

Para prolongar la vida útil de la batería

- Cuando perciba que la potencia de la herramienta se ha debilitado, deje de utilizarla y cargue la batería.
- No recargue una batería que esté completamente cargada.
- Cargue la batería en un intervalo de temperatura ambiente de 10 °C a 40 °C.
- Cuando la batería se haya calentado, por ejemplo, inmediatamente después del uso, recomendamos introducirla en el cargador para que se enfríe y cargarla.
- Cuando una batería de iones de litio no vaya a utilizarse durante un periodo de tiempo prolongado (al menos 6 meses), recomendamos cargarla y, después, almacenarla.

Recogida de la batería

- Las baterías usadas se recogen para su reciclaje. Lleve la batería al comercio donde adquirió el producto o a una oficina de ventas de Makita.



Li-ion

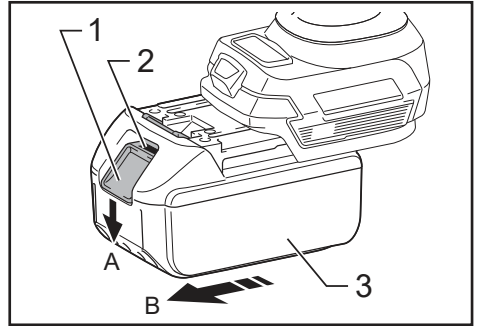
Recicle la batería de iones de litio

Cómo conectar y desconectar la batería

⚠ ADVERTENCIA:

Introduzca la batería en el producto correctamente. Si se puede ver la parte roja de la sección superior del botón, significa que la batería no está completamente bloqueada en su posición. Introduzca la batería firmemente hasta que no se pueda ver la parte roja.

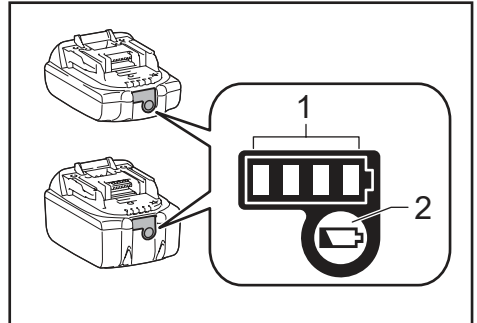
- Si la batería no se introduce lo suficiente, puede desacoplarse y provocar un accidente.
- Para desconectar la batería de este producto, A. mantenga pulsado el botón de la parte delantera de la batería y B. deslice la batería para extraerla.
- Al conectar la batería, alinee la batería con las ranuras del producto y, a continuación, introdúzcala hasta el fondo realizando el procedimiento a la inversa. Si se puede ver la parte roja de la sección superior del botón en este momento, significa que la batería no está completamente bloqueada en su posición. Introduzca la batería correctamente hasta el fondo hasta que no se pueda ver nada de la parte roja.



► 1. Botón 2. Parte roja 3. Batería

Indicación de la capacidad restante de la batería

Solo para cartuchos de batería con indicador



► 1. Lámparas indicadoras 2. Botón de control

Pulse el botón de control del cartucho de batería para indicar la capacidad restante de la batería. Las lámparas de indicación se encienden durante unos segundos.

Lámparas indicadoras			Capacidad restante
Encendida	Apagada	Intermitente	
■	□	◐	75 % al 100 %
■	■	□	50 % al 75 %
■	■	□	25 % al 50 %
■	□	□	0 % al 25 %
◐	□	□	Cargue la batería.
■	■	□	La batería puede tener un funcionamiento incorrecto.
□	□	■	

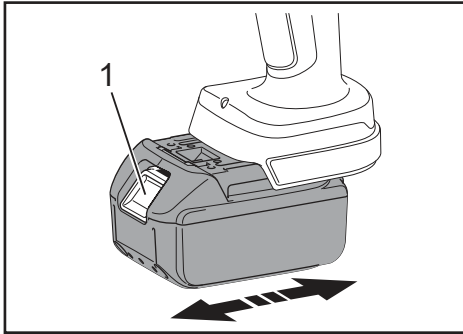
NOTA: En función de las condiciones de uso y la temperatura ambiente, la indicación puede diferir ligeramente de la capacidad actual.

NOTA: La primera lámpara indicadora (extremo izquierdo) parpadeará cuando el sistema de protección de la batería funcione.

Cómo utilizar la herramienta

Conexión del paquete de baterías

1. Mientras presiona el pestillo, extraiga el paquete de baterías. Para sustituir el paquete de baterías, presione el nuevo paquete correctamente en su lugar.
2. Después de introducir un paquete de baterías, compruebe si se ha colocado de manera segura tirando suavemente de él. No presione el pestillo al tirar de la batería.

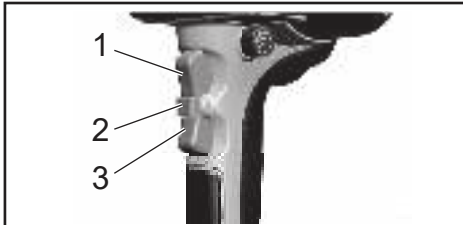


- 1. Pestillo

Operaciones del interruptor

Por motivos de seguridad, la herramienta tiene un sistema de interruptor de doble acción.

Para activar el interruptor de modo de avance (corte) y de modo de retroceso, presione primero el bloqueo del interruptor y, a continuación, pulse el interruptor de modo de avance/retroceso.



- 1. Interruptor de modo de avance
2. Bloqueo del interruptor
3. Interruptor de modo de retroceso

Lámpara LED de ayuda al trabajo

Esta herramienta dispone de una lámpara de LED que ilumina la periferia de la cuchilla de la cortadora. Se ilumina cuando se activa el interruptor de avance o retroceso y se apaga aproximadamente 10 segundos después de soltar el interruptor.

⚠PRECAUCIÓN:

- No mire directamente a la lámpara de LED. Mirar a la lámpara de LED durante un periodo prolongado puede dañar los ojos.

Alarma de nivel de batería bajo

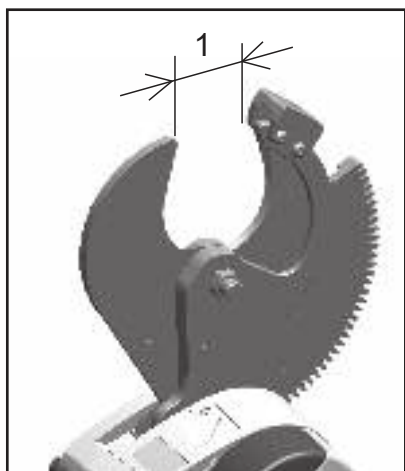
Si la capacidad restante de la batería es baja, la luz de LED parpadea 5 veces a modo de alarma cuando se activa el interruptor de modo de avance. Cargue la batería o sustitúyala por una de repuesto.

Operaciones de corte

1. [DTC100]
Active el interruptor para abrir la cuchilla móvil. Utilice los interruptores de modo de avance y retroceso para poner la cuchilla móvil en posición neutra.



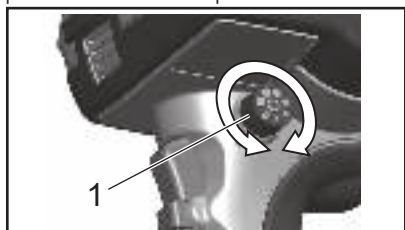
1. [DTC101]
Compruebe que la abertura es suficiente. Compruebe que la abertura es lo suficientemente grande para colocar un cable. Si la abertura es demasiado estrecha, pulse el interruptor de modo de retroceso para abrirla.



► 1. Abertura

2. Usar el selector para activar o desactivar el retroceso automático

Mueva el selector a la posición deseada para activar el retroceso automático, o muévalo a la posición de desconexión para desactivarlo.

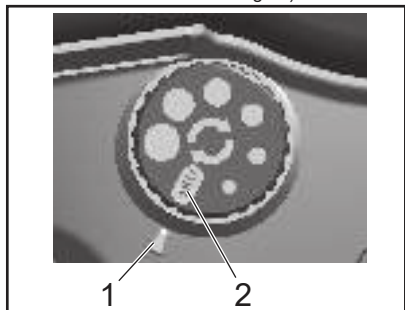


► 1. Selector

La función de retroceso automático

Cuando se activa el retroceso automático, el motor frena después de cortar un cable. Con el interruptor de modo de avance liberado, la cuchilla móvil regresa automáticamente según lo establecido con el selector.

La abertura puede ajustarse entre 6 niveles. (El intervalo de abertura sirve de guía).



► 1. Intervalo de abertura 2. Apagado

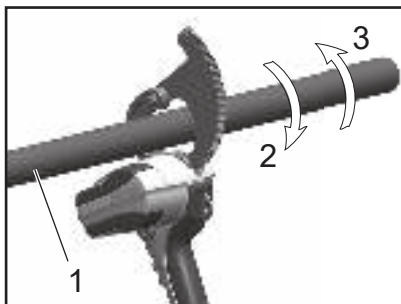
⚠PRECAUCIÓN:

- El retroceso automático no se activa si se suelta el interruptor de modo de avance antes de completar el corte.
- El retroceso automático no se activa con cables eléctricos finos de 60 mm² o menos.
- El diámetro de abertura puede variar en función de la tensión de batería restante.

3. [DTC100]

Introducir el cable eléctrico en la abertura de la cuchilla móvil

Coloque el cable que se va a cortar en la cuchilla fija y cierre la cuchilla móvil alrededor del cable. Accione la cuchilla móvil a mano de modo que los dientes del engranaje se acoplen al mecanismo de accionamiento de la unidad.

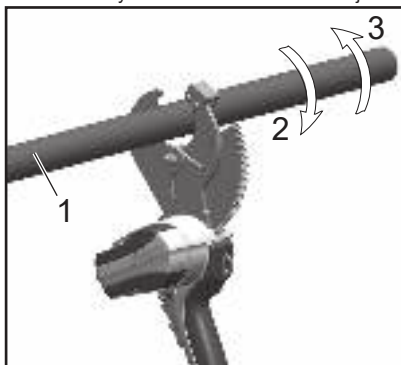


► 1. Cable 2. Rotación de corte
3. Rotación inversa

3. [DTC101]

Introducir el cable eléctrico en la abertura de la cuchilla móvil

Coloque el cable que se va a cortar en la abertura de la cuchilla y en el lateral de la cuchilla fija.



► 1. Cable 2. Rotación de corte
3. Rotación inversa

4. Usar el interruptor de modo de avance y corte del cable eléctrico

Mantenga pulsado el interruptor de modo de avance hasta completar el corte.

5. Eliminar restos después del corte

Después de finalizar el corte, elimine cualquier viruta o resto de la cuchilla.

⚠PRECAUCIÓN:

• Funcionamiento prolongado

Para proteger el motor, deje de utilizar la herramienta cuando la zona alrededor de la etiqueta de precaución se caliente. Para continuar usando la herramienta, colóquela durante 50 minutos en un lugar fresco y bien ventilado hasta que se enfríe.

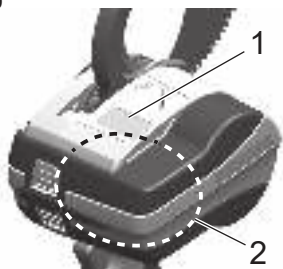
- **La protección contra sobrecorriente o sobrecarga puede activarse también incluso al utilizar la herramienta de acuerdo con la capacidad de corte.**

La temperatura de funcionamiento, la longitud del cable y la flexión y otros factores afectan al rendimiento de la herramienta.

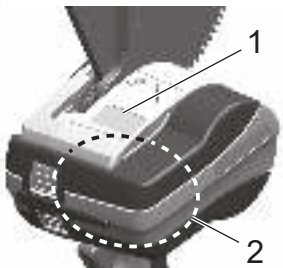
- **Si la luz de LED parpadea 6 veces o más, se trata de una indicación de error de la placa de circuitos.**

Póngase en contacto con su distribuidor.

DTC100



DTC101



- ▶ 1. Etiqueta de precaución
- ▶ 2. Área de advertencia de alto nivel de calor

⚠PRECAUCIÓN:

- **Los modelos DTC100 y DTC101 son para cables de cobre y aluminio únicamente. No utilice estas herramientas para acero, aluminio con acero reforzado (ACSR) u otros materiales de acero.**

La función de protección contra sobrecorriente

Si se aplica corriente de sobrecarga debido a que el cable no se ajusta a la especificación, se activa la función de protección contra sobrecorriente y se detiene el motor. Para restablecer, suelte el interruptor de modo de avance.

Sustitución con piezas de repuesto (DTC100)

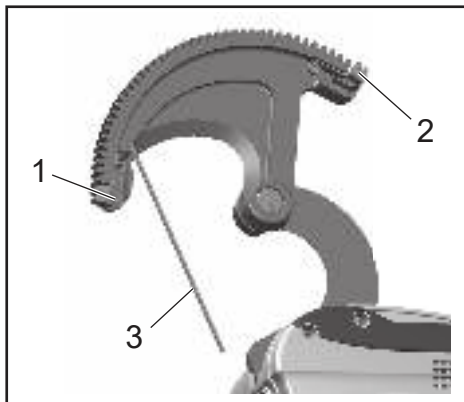
Para sustituir la guía de engranaje, siga el procedimiento siguiente.

⚠PRECAUCIÓN:

- Asegúrese de extraer el paquete de baterías de la unidad principal antes de reemplazar la guía de engranaje.
- Si la guía de engranaje está dañada o produce un ruido inusual, sustitúyala de inmediato. Si continúa utilizando el producto con una guía de engranaje dañada, se podrían dañar los engranajes internos.

Sustitución de la guía de engranaje

1. Desmontar la guía de engranaje
Utilice una llave hexagonal para aflojar el perno con orificio hexagonal (M3 x 3) y extraiga la guía de engranaje.
2. Montar la guía de engranaje
Monte la nueva guía de engranaje y aprete el perno de manera segura.



- 1. Guía de engranaje (A) 2. Guía de engranaje (B)
3. Llave hexagonal

Sustitución con piezas de repuesto (DTC101)

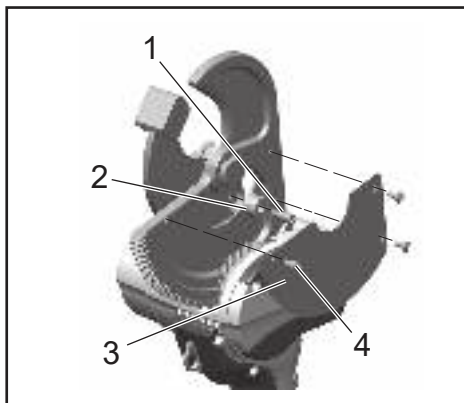
Para sustituir el tope, siga el procedimiento siguiente.

⚠PRECAUCIÓN:

- Asegúrese de extraer el paquete de baterías de la unidad principal antes de reemplazar el tope.

Sustitución del tope

1. Desmonte los tornillos Phillips de cabezal redondo, la placa y el perno con resalto (37), después, extraiga el tope.
2. Fije el nuevo tope con el perno con resalto, aplique al tornillo adhesivo de fijación de tornillos y, después, apriete por completo.
3. Fije la placa y el tornillo en los tornillos Phillips de cabezal redondo.

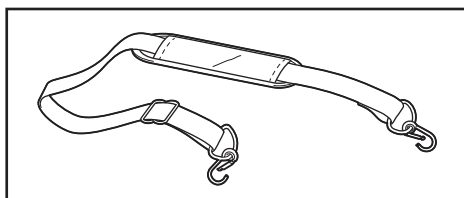


- 1. Perno con resalto (37) 2. Tope 3. Placa
4. Tornillos Phillips de cabezal redondo

Accesorios opcionales

• Cinturón de hombro (161347-8)

Esta correa para hombro se utiliza conectando la correa para colgar de esta herramienta.



Mantenimiento/Inspección

- Debe saber que el descuido del mantenimiento/inspección diarios puede causar un funcionamiento incorrecto de la herramienta.
- Evite almacenar la herramienta en un entorno húmedo para un funcionamiento correcto de la herramienta y evitar óxido.
- Si la herramienta resulta dañada durante el uso normal (10.000 operaciones o más, 1.000 cortes o más), no reanude la operación simplemente después de reemplazar solamente la pieza dañada, ya que ha llegado al final de su vida útil.
- Cuando una pieza de resina se ensucie, utilice para limpiarla un paño suave humedecido con agua jabonosa.
- Cuando se guarde el paquete de baterías solo, asegúrese de colocar la tapa del terminal de accesorios sobre el terminal para evitar cortocircuitos.
- Para la inspección de seguridad, recomendamos enviar la herramienta al fabricante aproximadamente una vez cada dos años (incurrir en gasto). Póngase en contacto con su distribuidor para obtener más detalles.

Especificaciones

Cortadora de cable inalámbrica	DTC100	DTC101
Diámetro de corte máximo	Materiales no ferrosos solo (AL o Cu)	
	φ50 mm (Filamento de Cu φ30 mm / Filamento de Al φ38 mm)	
Motor eléctrico	Motor de CC	
Dimensiones	117 (Prof.) × 320 (Al.) × 197 (An.) (mm)	117 (Prof.) × 380 (Al.) × 189 (An.) (mm)
Peso	2,2 kg	2,9 kg

⚠PRECAUCIÓN:

- Los modelos DTC100 y DTC101 son para cables de cobre y aluminio únicamente. No utilice estas herramientas para acero, aluminio con acero reforzado (ACSR) u otros materiales de acero.

Declaraciones de conformidad

Para países europeos solamente

Las declaraciones de conformidad se incluyen en el Anexo A de este manual de instrucciones.

PORTUGUÊS: Instruções originais

⚠️ AVISO: Leia e compreenda todas as instruções e informações de segurança incluídas no presente guia e instruções do operador. A utilização para aplicações às quais a ferramenta não se destina poderá causar lesões graves ou morte.

- **Gratos pela sua aquisição do nosso cortador de cabo a bateria.**
- **Leia atenta e criteriosamente o presente manual de instruções antes de tentar utilizar o equipamento. Após a leitura do presente manual de instruções, guarde-o num local de fácil acesso.**
- **Descrição**
Os cortadores mecânicos são cortadores operados a bateria concebidos para cortar cabos utilizados na indústria na atualidade.

Precauções de segurança

⚠️ AVISO: Leia todos os avisos de segurança e todas as instruções. O incumprimento dos avisos e instruções poderá resultar em choque elétrico, incêndio e/ou lesões graves.

Guarde todas as advertências e instruções para referência futura.

⚠️ AVISO: O utilizador poderá morrer ou ficar gravemente ferido se este produto for utilizado incorretamente.

1) Segurança da área de trabalho

- a) Mantenha a área de trabalho limpa e bem iluminada. Áreas desorganizadas ou escuras são propícias a acidentes.
- b) Não opere ferramentas elétricas em atmosferas explosivas, tais como na presença de matérias líquidas, gases ou poeiras inflamáveis. As ferramentas elétricas criam faíscas que podem incendiar a poeira ou vapores.
- c) Mantenha as crianças e transeuntes afastados enquanto opera uma ferramenta elétrica. As distrações podem fazê-lo perder o controlo da ferramenta.

2) Segurança elétrica

- a) As fichas das ferramentas elétricas devem corresponder à tomada. Nunca modifique a ficha de forma alguma. Não utilize quaisquer fichas adaptadoras com ferramentas elétricas aterradas (ligadas à terra). As fichas inalteradas e as tomadas correspondentes reduzem o risco de choque elétrico.
- b) Evite o contacto físico com superfícies aterradas ou ligadas à terra, tais como tubos, radiadores, fogões e frigoríficos. Existe maior risco de choque elétrico se o seu corpo estiver aterrado ou ligado à terra.
- c) Não exponha as ferramentas elétricas à chuva ou a condições húmidas. A entrada de água numa ferramenta elétrica aumenta o risco de choque elétrico.

- d) Não adultere o cabo. Nunca utilize o cabo para transportar, puxar ou retirar a ficha da ferramenta elétrica.
Mantenha o cabo afastado do calor, óleo, arestas afiadas ou peças móveis. Os cabos danificados ou emaranhados aumentam o risco de choque elétrico.
- e) Quando operar uma ferramenta elétrica ao ar livre, utilize um cabo de extensão adequado para utilização no exterior. A utilização de um cabo adequado para utilização no exterior reduz o risco de choque elétrico.
- f) Se for inevitável operar uma ferramenta elétrica num local húmido, utilize uma fonte de alimentação protegida com um disjuntor diferencial residual (DDR). A utilização de um DDR reduz o risco de choque elétrico.

3) Segurança pessoal

- a) Mantenha-se alerta, observe o que está a fazer e use de senso comum quando operar uma ferramenta elétrica.
Não utilize uma ferramenta elétrica quando estiver cansado ou sob o efeito de drogas, álcool ou medicamentos. Um momento de descuido durante a operação de ferramentas elétricas poderá resultar em ferimentos graves.
- b) Utilize equipamento de proteção individual. Use sempre óculos de proteção. Equipamento de proteção como máscara anti-pó, calçado de segurança anti-deslizante, capacete ou proteção auditiva utilizado para condições adequadas reduz lesões corporais.
- c) Previna o arranque involuntário da ferramenta. Certifique-se de que o interruptor está na posição off (desligado) antes de ligar à fonte de alimentação e/ou à bateria, pegar na ferramenta ou transportar a mesma. Transportar ferramentas elétricas com o dedo no interruptor ou energizar ferramentas elétricas com o interruptor ligado propicia acidentes.

- d) Remova qualquer chave de ajuste ou chave inglesa antes de ligar a ferramenta elétrica. Uma chave inglesa ou chave deixada fixa numa peça rotativa da ferramenta elétrica poderá resultar em lesão corporal.
 - e) Não tente alcançar a ferramenta se estiver demasiado afastado desta. Mantenha-se sempre numa posição firme adequada e em equilíbrio. Desta forma, terá um melhor controlo da ferramenta elétrica em situações imprevistas.
 - f) Use roupa adequada. Não use roupas largas ou jóias. Mantenha o cabelo, roupas e luvas afastados das peças móveis. As roupas largas, jóias ou cabelo comprido podem ficar presos nas peças móveis.
 - g) Se forem fornecidos dispositivos para a ligação de equipamentos de extração e recolha de pó, certifique-se de que estes estejam ligados e sejam utilizados corretamente. A utilização da recolha de pó pode reduzir riscos relacionados com pó.
 - h) Não permita que a familiaridade adquirida pela utilização frequente das ferramentas o tornem complacente e o façam ignorar os princípios de segurança da ferramenta. Uma ação imprudente pode causar lesões graves numa fração de segundo.
- g) Utilize a ferramenta elétrica, os acessórios e as pontas de ferramenta, etc. de acordo com estas instruções, tendo em conta as condições de trabalho e o trabalho que pretende realizar.
A utilização da ferramenta elétrica para operações diferentes das pretendidas poderá resultar em situações perigosas.
 - h) Mantenha as pegas e as superfícies de aderência secas, limpas e isentas de óleo e massa lubrificante. As pegas e superfícies de aderência escorregadias não promovem o manuseamento seguro e o controlo da ferramenta em situações imprevistas.

5) Utilização e cuidados da ferramenta a bateria

4) Utilização e cuidados da ferramenta elétrica

- a) Não force a ferramenta elétrica. Utilize a ferramenta elétrica correta para a sua aplicação. A ferramenta elétrica correta executa o trabalho melhor e com maior segurança à velocidade para a qual foi concebida.
- b) Não utilize a ferramenta elétrica se o interruptor não ligar e desligar a mesma. Qualquer ferramenta elétrica que não seja possível controlar com o interruptor é perigosa e deve ser sujeita a reparação.
- c) Retire a ficha da fonte de alimentação e/ou a bateria da ferramenta elétrica antes de efetuar quaisquer ajustes, substituir acessórios ou armazenar ferramentas elétricas. Estas medidas de segurança preventivas reduzem o risco de arranque accidental da ferramenta elétrica.
- d) Armazene ferramentas elétricas inativas fora do alcance das crianças e não permita que pessoas não familiarizadas com a ferramenta elétrica ou estas instruções operem a ferramenta elétrica. As ferramentas elétricas são perigosas nas mãos de utilizadores sem formação.
- e) Realize a manutenção de ferramentas elétricas e acessórios. Verifique o eventual desalinhamento ou amarração de peças móveis, quebra de peças e qualquer outra condição que possa afetar a operação da ferramenta elétrica. Se danificada, submeta a ferramenta elétrica a reparação antes de utilizá-la. Muitos acidentes são causados por má manutenção de ferramentas elétricas.
- f) Mantenha as ferramentas de corte afiadas e limpas. As ferramentas de corte com arestas cortantes afiadas sujeitas a uma manutenção adequada têm menos probabilidade de enlaçar umas nas outras e são mais fáceis de controlar.

- a) Recarregue apenas com o carregador especificado pelo fabricante. Um carregador que seja adequado para um tipo de bateria poderá gerar um risco de incêndio quando utilizado com outra bateria.
- b) Utilize ferramentas elétricas apenas com as baterias especificamente designadas. A utilização de quaisquer outras baterias poderá gerar um risco de lesão e incêndio.
- c) Quando a bateria não estiver a ser utilizada, mantenha-a afastada de outros objetos metálico, como cliques, moedas, chaves, pregos, parafusos ou outros objetos metálicos pequenos que possam estabelecer uma ligação de um terminal a outro. Efetuar o curto-circuito dos terminais da bateria poderá causar queimaduras ou incêndio.
- d) Sob condições abusivas, o líquido poderá ser ejetado da bateria; evite o contacto. Se ocorrer o contacto acidentalmente, lave com água. Se o líquido entrar em contacto com os olhos, procure também assistência médica.
O líquido ejetado da bateria poderá causar irritação ou queimaduras.
- e) Não utilize uma bateria ou ferramenta que esteja danificada ou tenha sido modificada. As baterias danificadas ou modificadas podem exibir um comportamento imprevisível, resultando em incêndio, explosão ou risco de lesão.
- f) Não exponha uma bateria ou ferramenta ao fogo ou a temperatura excessiva. A exposição ao fogo ou a temperatura superior a 130°C pode causar explosão.
- g) Siga todas as instruções de carregamento e não carregue a bateria ou ferramenta fora da gama de temperaturas especificada nas instruções. O carregamento inadequado ou a temperaturas fora da gama especificada pode danificar a bateria e aumentar o risco de incêndio.

6) Manutenção

- a) Solicite a manutenção da sua ferramenta elétrica por um técnico de reparação qualificado utilizando apenas peças de substituição idênticas. Desta forma, garante que a segurança da ferramenta elétrica é mantida.
- b) Nunca efetue a manutenção de baterias danificadas. A manutenção de baterias apenas deve ser realizada pelo fabricante ou prestadores de serviços autorizados.

Segure na ferramenta elétrica através de superfícies de aderência isoladas quando realizar uma operação na qual o parafuso poderá tocar em fios ocultos. Os parafusos que tocarem um fio sob tensão poderão colocar peças metálicas expostas da ferramenta elétrica sob tensão e poderá provocar um choque elétrico no operador.

Utilize um carregador de bateria e uma bateria Makita originais.

- Utilize a bateria original para esta ferramenta.
- Não carregue a bateria com outro carregador de bateria. O incumprimento desta instrução poderá causar uma falha, que pode provocar um acidente ou uma lesão.

Carregue a bateria de forma correta.

- Utilize uma fonte de alimentação com a classificação indicada para ligar o carregador de bateria fornecido com este produto.
- Não utilize uma fonte de alimentação CC ou um gerador de potência acionado por motor para carregar a bateria. O incumprimento desta instrução poderá gerar calor excessivo, o que poderá causar um incêndio.
- Quando a temperatura do ambiente, a bateria ou o carregador de bateria for inferior a 0°C ou superior a 40°C, não carregue a bateria. O incumprimento desta instrução poderá causar uma falha ou um incêndio.
- Quando carregar a bateria, selecione um local bem ventilado para efetuar o carregamento.
- Não cubra a bateria com um pano durante o carregamento. O incumprimento desta instrução poderá causar uma falha ou um incêndio.
- Certifique-se de que retira a ficha elétrica após o carregamento.
O incumprimento desta instrução poderá causar um choque elétrico ou um incêndio.

Não aponte o cortador na direção de pessoas durante a utilização.

- O incumprimento desta instrução poderá causar uma lesão.

Não efetue o curto-circuito dos terminais na bateria.

- Quando armazenar a bateria isoladamente, certifique-se de que coloca a tampa do terminal no terminal para evitar curto-circuito. Certifique-se de que não ocorre o curto-circuito dos terminais da bateria por meio de outras peças metálicas como parafusos, pregos, etc.

Não sujeite a bateria a chamas.

- O incumprimento desta instrução poderá causar a falha ou fuga de um material perigoso.

Não utilize em peças ligadas à eletricidade.

- A ferramenta não está isolada. A utilização em locais eletrificados poderá causar choque elétrico.
- Não toque na ficha elétrica ou na bateria com as mãos molhadas. O incumprimento desta instrução poderá causar choque elétrico.

Remova a bateria do corpo da ferramenta nas seguintes circunstâncias.

- Quando não pretender utilizar a ferramenta ou para realizar reparações

- Quando substituir peças sobresselentes
- Noutras alturas em que haja suspeita de perigo
O incumprimento destes avisos poderá causar a ativação acidental da ferramenta e causar lesões.

Arranque imprevisto da ferramenta.

- Certifique-se de que os dedos estão bastante afastados do gatilho quando mover a ferramenta. O arranque imprevisto da ferramenta poderá resultar em lesão.

Utilize apenas os acessórios especificados.

- Não utilize outros acessórios além dos indicados no presente manual de instruções ou no nosso catálogo. O incumprimento desta instrução poderá provocar um acidente ou uma lesão.

Utilize equipamento de proteção.

- Utilize óculos de proteção durante a operação. Se a operação produzir muito pó, use uma máscara anti-pó. Durante o corte, poderá ocorrer a dispersão de pequenas peças e causar lesão.

Não olhe fixamente para a luz de trabalho LED.

- Podem ocorrer danos na visão.

Tenha em consideração o ambiente de trabalho.

- Não utilize a ferramenta, o carregador de bateria ou a bateria sob precipitação ou num local molhado ou húmido. O incumprimento desta instrução poderá causar um choque elétrico ou fumo.
- Realize o trabalho num local com iluminação suficiente. O trabalho num local escuro poderá causar um acidente.
- Não utilize ou carregue a bateria na presença de líquido ou gás inflamável. O incumprimento desta instrução poderá causar uma explosão ou um incêndio.

Mantenha o local de trabalho sempre limpo.

- Os locais e bancadas desarrumados poderão causar um acidente.

Mantenha as crianças afastadas da ferramenta.

- Não deixe que outras pessoas além dos operadores toquem na ferramenta e no cabo do carregador de bateria. Mantenha as pessoas afastadas do local de trabalho. O incumprimento desta instrução poderá causar uma lesão.

Quando não pretender utilizar a ferramenta, armazene-a adequadamente.

- Armazene a ferramenta num local de baixa humidade e também numa posição alta à qual as crianças não consigam alcançar ou num local que possa ser trancado. O incumprimento desta instrução poderá causar um acidente.
- Não armazene a ferramenta ou bateria num local onde a temperatura possa atingir 40°C ou mais (dentro de uma caixa de metal, dentro de um carro no verão, etc.). O incumprimento desta instrução poderá deteriorar a bateria, o que pode causar fumo ou ignição.

Não utilize a ferramenta de forma despropositada.

- Realize a operação de acordo com a capacidade da ferramenta para uma operação segura e eficiente. A utilização da ferramenta além da sua capacidade poderá causar um acidente.
- Não utilize a ferramenta de forma despropositada capaz de causar o bloqueio do motor. O incumprimento desta instrução poderá causar fumo ou ignição.

Utilize uma ferramenta adequada para operação.

- Não utilize a ferramenta para outras aplicações além das especificadas. O incumprimento desta instrução poderá causar uma lesão.

Realize a operação com roupas adequadas.

- Não use roupas ou acessórios largos como um colar. Estes podem ficar presos numa peça móvel, peça rotativa ou semelhante.
- Quando a operação é realizada no exterior, é recomendável a utilização de luvas de borracha e calçado antidesslizante. Luvas e calçado escorregadio poderão causar lesões.
- Se tiver cabelo comprido, utilize um boné ou uma touca para cobrir o cabelo. O incumprimento desta instrução poderá fazer com que o seu cabelo fique preso numa peça móvel, peça rotativa ou semelhante.

Não opere a ferramenta com uma postura forçada.

- Mantenha-se sempre numa posição firme adequada e mantenha o equilíbrio. O incumprimento desta instrução poderá fazê-lo tombar, podendo causar uma lesão.

Mantenha-se alerta quando estiver a trabalhar concentrado.

- Quando utiliza a ferramenta, tenha cuidado em relação ao método de manuseamento, modo de operação e circunstâncias envolventes e realize a sua operação atentamente. O incumprimento desta instrução poderá causar um acidente ou uma lesão.
- Não opere a ferramenta sob o efeito de álcool. O incumprimento desta instrução poderá causar um acidente ou uma lesão.
- Não opere a ferramenta quando estiver em más condições físicas. O incumprimento desta instrução poderá causar um acidente ou uma lesão.

Não manuseie o cabo do carregador de bateria de forma bruta.

- Não transporte o carregador pelo cabo nem puxe por este de forma bruta para retirá-lo da tomada.
- Mantenha o cabo afastado do calor, óleo e arestas afiadas.
- Certifique-se de que o ambiente de carregamento está desimpedido para não pisar ou tropeçar no cabo. O incumprimento desta instrução poderá causar um choque elétrico ou um curto-circuito, o que poderá causar ignição.

Utilize um cabo de extensão com especificações para exterior.

- Se utilizar a ferramenta no exterior, utilize um cabo de extensão robusto revestido a borracha.

Realize a manutenção da ferramenta com cuidado.

- Siga o manual de instruções quando substituir peças sobresselentes. O incumprimento desta instrução poderá causar uma lesão.
- Inspeccione o cabo do carregador de bateria em intervalos regulares. Se o cabo estiver danificado, solicite a reparação ao serviço de assistência autorizado. O incumprimento desta instrução poderá causar um choque elétrico ou um curto-circuito, o que poderá causar ignição.
- Se for utilizado um cabo de extensão, inspeccione o cabo em intervalos regulares. Se o cabo estiver danificado, substitua-o por um novo. O incumprimento desta instrução poderá causar um choque elétrico ou um curto-circuito, o que poderá causar ignição.
- Mantenha o punho sempre seco e limpo e mantenha-o afastado de óleo e massa lubrificante. O incumprimento desta instrução poderá causar uma lesão.

Verifique as peças danificadas.

- Verifique se não existem danos antes da utilização. Confirme se a ferramenta opera normalmente e se todos os componentes estão a funcionar adequadamente.
- Verifique o alinhamento das peças móveis, o funcionamento correto das peças móveis, a quebra de peças, a montagem e qualquer outra condição que possa afetar a sua operação.
- Não utilize o carregador de bateria com a ficha elétrica ou cabo danificados ou que tenha caído e sofrido danos. O incumprimento desta instrução poderá causar um choque elétrico ou um curto-circuito, o que poderá causar ignição.

Se danificada, a ferramenta deve ser devidamente reparada ou substituída por um serviço de assistência autorizado, salvo indicação em contrário no presente manual de instruções. Solicite a reparação de interruptores com defeito a um serviço de assistência autorizado. Não utilize a ferramenta se o interruptor não ligar e desligar a mesma. Uma ferramenta assim pode operar com anomalia, podendo causar uma lesão.

Solicite a reparação ao serviço de assistência autorizado.

- Não desmonte, repare ou modifique a unidade principal, o carregador de bateria ou a bateria. O incumprimento desta instrução poderá causar ignição ou uma operação anormal, o que poderá provocar uma lesão.
- Se a ferramenta ficar quente ou for detetada uma anomalia na ferramenta, solicite a inspeção ou reparação da ferramenta.
- Esta ferramenta foi construída de acordo com os requisitos de segurança relevantes. Não tente modificar este produto.
- Solicite a reparação da sua ferramenta a um centro de assistência autorizado. As reparações devem ser realizadas apenas por uma pessoa qualificada utilizando peças sobresselentes originais; caso contrário, poderá resultar num perigo considerável para o utilizador.

Precauções na utilização do cortador de cabo a bateria

- Quando utilizar esta ferramenta, siga as instruções conforme ilustrado abaixo:

Precauções para a ferramenta

- **Nunca corte nada além da capacidade máxima de corte.**

Tenha cuidado, dado que o incumprimento desta instrução poderá causar danos. (ver página 115)

- **Não toque na aresta cortante das lâminas móveis ou fixas.**

O incumprimento desta instrução poderá causar uma lesão.

- **Nunca corte fios sob tensão (cabos elétricos condutores de eletricidade).**

- **Não sujeite a ferramenta a quedas ou outros impactos excessivos.**

A estrutura interna foi manufaturada com precisão para torná-la compacta e leve, pelo que é possível que não funcione adequadamente caso seja sujeita a impacto.

- **Não utilize sob precipitação.**

Caso contrário, a lâmina poderá enferrujar e a aresta cortante poderá ficar romba ou causar danos.

- **Não corte comprimentos adicionais de 50 mm ou menos.**

Cortar comprimentos adicionais das extremidades de CCP e de outros cabos extremamente curtos poderá causar o corte das partes internas do cabo, etc.

- **Não aplique força na direção contrária que está a ser cortada.**

Corte sempre os materiais em linha reta. O incumprimento desta instrução poderá danificar a lâmina do cortador.

- **Segure firmemente.**

O incumprimento desta instrução poderá causar uma lesão.

- **Certifique-se de que ninguém está abaixo de si antes de utilizar a ferramenta num local alto.**

O incumprimento desta instrução poderá resultar num acidente caso os materiais ou o dispositivo caiam, etc.

- **Verifique se está tudo normal antes da utilização.**

Fissuras ou fraturas no cortador poderão danificar o cortador e causar lesões.

- **Faça pausas durante a utilização.**

O corte prolongado sem pausas mantém o motor sempre quente, o que poderá sobreaquecer o motor e a bateria, causando danos. Certifique-se de que realiza pausas ocasionais durante a utilização.

- **As temperaturas ambiente baixas (10°C ou inferiores) poderão causar o endurecimento do cabo elétrico, dificultando o corte, mesmo quando estiver dentro da capacidade de corte.**

- **Limpe com ar, etc. após cada utilização.**

Tenha cuidado de modo a impedir que os cortes e outras aparas entrem na unidade a partir da abertura (acionador da lâmina móvel).

- **Não corte cabos elétricos com um fio com 1 mm de diâmetro.**

O incumprimento desta instrução poderá fazer com que a lâmina do cortador fique presa no cabo elétrico e fique bloqueada.

Precauções ao utilizar a bateria

- Nunca efetue o curto-circuito dos terminais.
- Mantenha a bateria afastada de água, óleo e solventes orgânicos.
- Não desmonte ou modifique a bateria.
- Se a bateria for descartada, não a submeta a chamas nem a descarte como lixo comum. (Promovemos a reciclagem.)
- Não atire ou despeje a bateria.
- Não deixe a bateria num local onde a temperatura seja de 40°C ou superior por um período prolongado.
- Não efetue o curto-circuito da bateria colocando sujidade ou pó no terminal, uma vez que isso resultará numa anomalia. Se o terminal estiver corroído, não utilize a bateria.
- A ferramenta dispõe de uma função protetora que impede a saída para prolongar a vida útil da bateria. O motor poderá parar quando o nível residual da bateria estiver baixo, até mesmo enquanto o interruptor de funcionamento estiver pressionado durante a utilização desta ferramenta. Contudo, este fenómeno é causado não pela anomalia mas pela função protetora. Neste caso, carregue a bateria imediatamente.

Precauções para o carregador de bateria

- Este carregador de bateria tem uma lâmpada indicadora (LED multicolor) para mostrar o estado de carga da bateria.
- Não efetue o curto-circuito do carregador colocando sujidade ou pó no interior da ranhura de inserção, uma vez que isso resultará numa anomalia. Se o terminal metálico estiver corroído, não utilize o carregador de bateria.

SÍMBOLOS DE AVISO



Antes de utilizar a ferramenta, leia atentamente as instruções incluídas no presente manual.



Área de aviso de elevado calor

Para proteger o motor, não utilize a ferramenta se a área de aviso de elevado calor ficar quente. (ver página 113)



Não tocar durante a operação.

Símbolos



Apenas para países da UE
Devido à presença de componentes perigosos no equipamento, os resíduos de equipamentos elétricos e eletrônicos, acumuladores e baterias podem ter um impacto negativo no meio ambiente e na saúde humana. Não elimine aparelhos elétricos e eletrônicos ou baterias juntamente com resíduos domésticos!

De acordo com a Diretiva europeia relativa aos resíduos de equipamentos elétricos e eletrônicos, acumuladores e baterias, bem como a respetiva adaptação à legislação nacional, os resíduos de equipamentos elétricos e eletrônicos, acumuladores e baterias devem ser armazenados separadamente e entregues num ponto de recolha separado para resíduos municipais, que opere de acordo com os regulamentos de proteção ambiental. Tal é indicado pelo símbolo de contentor de lixo com rodas barrado com uma cruz colocado no equipamento.

Ruído

A característica do nível de ruído A determinado de acordo com a EN62841-1:

Nível de pressão acústica (K=3 dB (A)): 69,5 dB (A)

Nível de potência acústica (K=3 dB (A)): 78,1 dB (A)

NOTA: O(s) valor(es) da emissão de ruído indicado(s) foi medido de acordo com um método de teste padrão e pode ser utilizado para comparar duas ferramentas.

NOTA: O(s) valor(es) da emissão de ruído indicado(s) pode também ser utilizado na avaliação preliminar da exposição.

AVISO: Utilize protetores auriculares.

AVISO: A emissão de ruído durante a utilização real da ferramenta elétrica pode diferir do(s) valor(es) indicado(s), dependendo das formas como a ferramenta é utilizada, especialmente o tipo de peça de trabalho que é processada.

AVISO: Certifique-se de identificar as medidas de segurança para proteção do operador que sejam baseadas em uma estimativa de exposição em condições reais de utilização (considerando todas as partes do ciclo de operação, tal como quando a ferramenta está desligada e quando está a funcionar em marcha lenta além do tempo de acionamento).

Vibração

Valor total da vibração (soma vetorial tri-axial) determinado de acordo com a EN62841-1:

Manípulo: 0,3 m/s²

Variabilidade (K): 1,5 m/s²

NOTA: O(s) valor(es) total(ais) de vibração indicado(s) foi medido de acordo com um método de teste padrão e pode ser utilizado para comparar duas ferramentas.

NOTA: O(s) valor(es) total(ais) de vibração indicado(s) pode também ser utilizado na avaliação preliminar da exposição.

AVISO: A emissão de vibração durante a utilização real da ferramenta elétrica pode diferir do(s) valor(es) indicado(s), dependendo das formas como a ferramenta é utilizada, especialmente o tipo de peça de trabalho que é processada.

AVISO: Certifique-se de identificar as medidas de segurança para proteção do operador que sejam baseadas em uma estimativa de exposição em condições reais de utilização (considerando todas as partes do ciclo de operação, tal como quando a ferramenta está desligada e quando está a funcionar em marcha lenta além do tempo de acionamento).

Cartucho da bateria e carregador aplicáveis

Cartucho da bateria	BL1815N / BL1820B / BL1830B / BL1840B / BL1850B / BL1860B
Carregador	DC18RC / DC18RD / DC18RE / DC18SD / DC18SE / DC18SF / DC18SH / DC18WC

- Alguns dos cartuchos da bateria e carregadores listados acima podem não estar disponíveis dependendo da sua região de residência.
- Para carregar a bateria, leia o manual de instruções do carregador da bateria.

⚠️ AVISO: Utilize exclusivamente os cartuchos de bateria e os carregadores listados acima. A utilização de quaisquer outros cartuchos de bateria e carregadores poderá causar lesões e/ou incêndio.

Instruções de segurança importantes para o cartucho da bateria

1. Antes de utilizar o cartucho da bateria, leia todas as instruções e marcações de aviso relativas ao (1) carregador de bateria, (2) bateria e (3) produto que utiliza a bateria.
2. Não desmonte ou adultere o cartucho da bateria. Poderá resultar num incêndio, calor excessivo ou explosão.
3. Se o tempo de funcionamento diminuiu excessivamente, interrompa o funcionamento imediatamente. Poderá resultar num risco de sobreaquecimento, possíveis queimaduras e até mesmo explosão.
4. Se o eletrólito entrar para os seus olhos, lave-os com água limpa e consulte um médico de imediato. Poderá resultar na perda de visão.
5. Não efetue o curto-circuito do cartucho da bateria:
 - (1) Não toque nos terminais com qualquer material condutor.
 - (2) Evite armazenar o cartucho da bateria num recipiente com outros objetos metálicos como pregos, moedas, etc.
 - (3) Não exponha o cartucho da bateria a água ou chuva.

Um curto-circuito da bateria pode causar um grande fluxo de corrente, sobreaquecimento, possíveis queimaduras e até mesmo uma avaria.

6. Não armazene e utilize a ferramenta e o cartucho da bateria em locais onde a temperatura possa atingir ou exceder 50°C (122°F).
7. Não incinere o cartucho da bateria mesmo se estiver seriamente danificado ou estiver completamente esgotado. O cartucho da bateria pode explodir num incêndio.
8. Não preegue, corte, quebre, atire, despeje o cartucho da bateria ou bata o cartucho da bateria contra um objeto sólido. Essa conduta poderá resultar num incêndio, calor excessivo ou explosão.

9. Não utilize uma bateria danificada.
10. As baterias de íões de lítio incluídas estão sujeitas aos requisitos da Legislação sobre Mercadorias Perigosas.

Para transportes comerciais, por exemplo, por terceiros, transitários, é necessário respeitar os requisitos especiais relativos à embalagem e rotulagem.

Para a preparação do item a expedir, é necessário consultar um especialista em materiais perigosos. Observe também eventualmente regulamentos nacionais mais detalhados.

Coloque fita adesiva ou esconda os contactos e embale a bateria de forma que não possa mover-se na embalagem.

11. Quando descartar o cartucho da bateria, remova-o da ferramenta e descarte-o num local seguro. Siga os regulamentos locais relativos à eliminação da bateria.
12. Utilize as baterias apenas com os produtos especificados pela Makita. A instalação das baterias em produtos não-conformes poderá resultar num incêndio, calor excessivo, explosão ou fuga de eletrólito.
13. Se a ferramenta não for utilizada por um período prolongado, a bateria deve ser removida da ferramenta.
14. Durante e após a utilização, o cartucho da bateria pode acumular calor que pode causar queimaduras ou lesões a baixa temperatura. Preste atenção ao manuseamento de cartuchos da bateria quentes.
15. Não toque no terminal da ferramenta imediatamente após utilizá-la, pois pode estar suficientemente quente para causar queimaduras.
16. Não permita a entrada de aparas, pó ou sujidade presos nos terminais, orifícios e ranhuras do cartucho da bateria. Poderá causar aquecimento, incêndio, explosão e mau funcionamento da ferramenta ou do cartucho da bateria, resultando em queimaduras ou lesões corporais.
17. A menos que a ferramenta suporte a utilização próxima de linhas elétricas de alta tensão, não utilize o cartucho da bateria perto destas. Poderá resultar numa anomalia ou avaria da ferramenta ou cartucho da bateria.

18. Mantenha a bateria afastada das crianças.

GUARDE ESTAS INSTRUÇÕES.

⚠ CUIDADO:

- **Utilize apenas baterias originais da Makita.**

A utilização de baterias Makita não originais, ou de baterias que tenham sofrido alterações, poderá resultar na explosão da bateria, causando incêndios, lesões físicas e danos. Também anulará a garantia da Makita relativa à ferramenta e ao carregador da Makita.

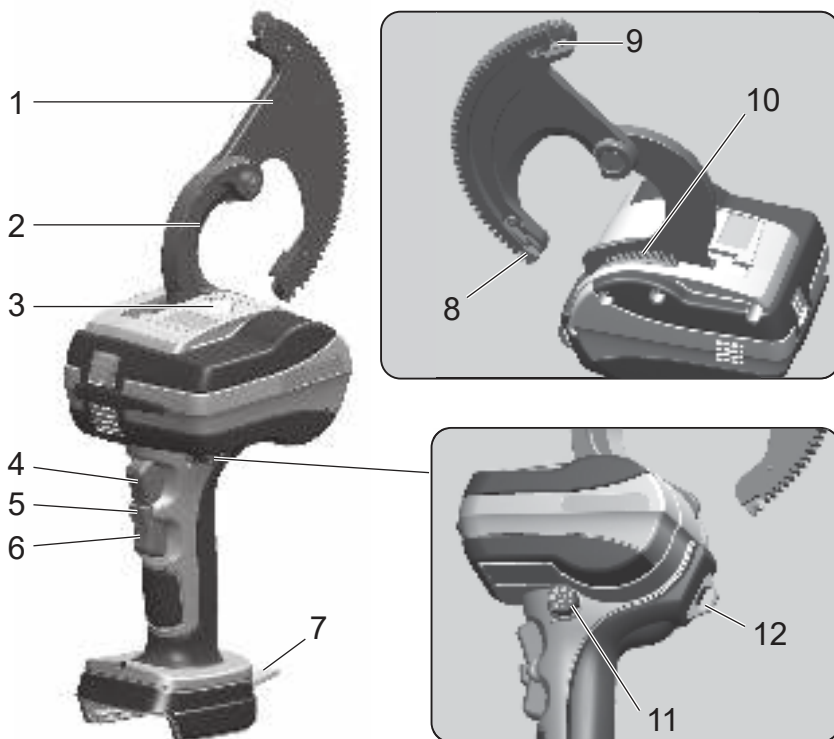
Dicas para manter a vida útil máxima da bateria

1. Carregue o cartucho da bateria antes de ficar completamente descarregado. Pare sempre o funcionamento da ferramenta e carregue o cartucho da bateria quando notar menos potência na ferramenta.
2. Nunca recarregue um cartucho da bateria completamente carregado. A sobrecarga reduz a vida útil da bateria.
3. Carregue o cartucho da bateria com a temperatura ambiente a 10°C - 40°C (50°F - 104°F). Deixe um cartucho da bateria quente arrefecer antes de carregá-lo.
4. Quando não estiver a utilizar o cartucho da bateria, remova-o da ferramenta ou do carregador.
5. Carregue o cartucho da bateria se não pretender utilizá-lo por um período prolongado (superior a seis meses).

Nomes e acessórios

DTC100

Cortador de cabo a bateria



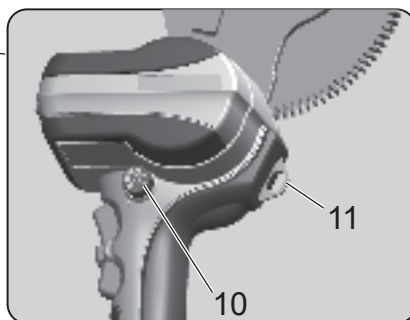
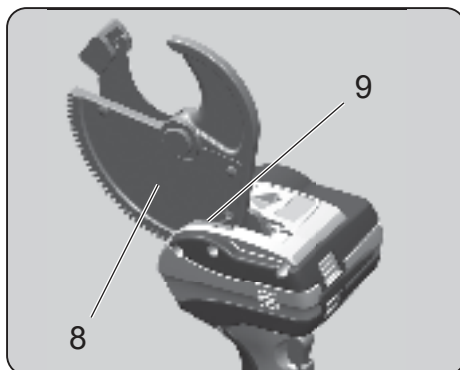
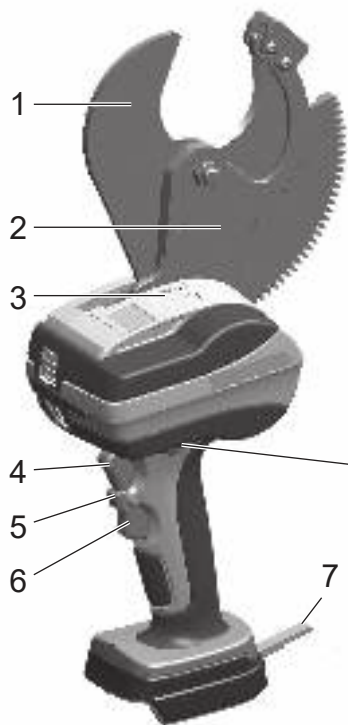
Mala de transporte



* Esta ferramenta foi concebida para a bateria de íões de lítio de 18 V da Makita.

1	Lâmina móvel	7	Correia de pendurar
2	Lâmina estacionária	8	Guia de engrenagem (A)
3	Luz de trabalho LED	9	Guia de engrenagem (B)
4	Interruptor de modo de avanço	10	Escova (para pó)
5	Bloqueio do interruptor	11	Botão indicador
6	Interruptor de modo de inversão	12	Argola de pendurar

Cortador de cabo a bateria



Mala de transporte



* Esta ferramenta foi concebida para a bateria de íões de lítio de 18 V da Makita.

1	Lâmina móvel	7	Correia de pendurar
2	Lâmina estacionária	8	Placa da lâmina móvel
3	Luz de trabalho LED	9	Escova (para pó)
4	Interruptor de modo de avanço	10	Botão indicador
5	Bloqueio do interruptor	11	Argola de pendurar
6	Interruptor de modo de inversão	—	—

Bateria

Bateria

- À data de aquisição, a função de proteção da bateria poderá estar ativada devido à bateria não estar suficientemente carregada. (Seja cauteloso, uma vez que este produto poderá começar a funcionar se acionar o interruptor.) Carregue a bateria corretamente com o carregador rápido antes da utilização.
- Instale a tampa da bateria quando não utilizar o produto. Esta ajuda a proteger a bateria da água e do pó.
- Quando não pretender utilizar o produto por um período prolongado, armazene-o com a bateria removida.

Para aumentar a vida útil da bateria

- Quando sentir que a força da ferramenta diminuiu, pare de utilizar a ferramenta e carregue a bateria.
- Não recarregue uma bateria que esteja completamente carregada.
- Carregue a bateria numa temperatura ambiente de 10°C a 40°C.
- Quando a bateria ficar quente imediatamente após a utilização, recomendamos que a insira no carregador para arrefecer e carregá-la.
- Quando não pretender utilizar uma bateria de íões de lítio por um período prolongado (no mínimo, 6 meses), recomendamos que a carregue e a armazene em seguida.

Recolha de baterias

- As baterias usadas são recolhidas para reciclagem. Entregue a bateria na loja onde adquiriu o produto ou um escritório de vendas da Makita.



Li-ion

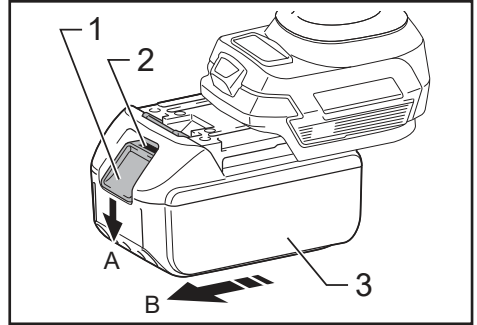
Recicle a bateria de íões de lítio

Como instalar e retirar a bateria

⚠️ AVISO:

Insira a bateria no produto de forma adequada. Se a parte vermelha na parte superior do botão estiver visível, a bateria não está completamente bloqueada na devida posição. Insira a bateria firmemente até que toda a parte vermelha não esteja visível.

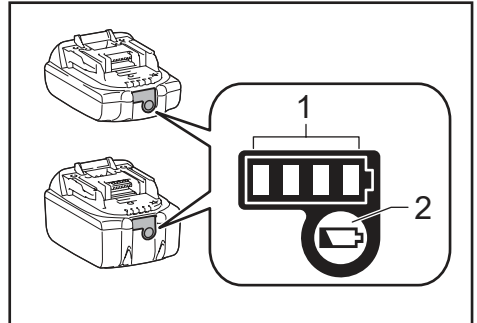
- Se a bateria não estiver suficientemente inserida, pode desencaixar e causar um acidente.
- Para retirar a bateria deste produto, A. mantenha o botão pressionado na parte frontal da bateria e B. deslize a bateria para removê-la.
- Quando instalar a bateria, alinhe a bateria com as ranhuras no produto e, em seguida, insira-a completamente realizando o procedimento na ordem inversa. Se a parte vermelha na parte superior do botão estiver visível continuamente, a bateria não está completamente bloqueada na devida posição. Insira a bateria correta e completamente até que toda a parte vermelha não esteja visível.



► 1. Botão 2. Parte vermelha 3. Bateria

Indicação da capacidade residual da bateria

Apenas para cartucho da bateria com um indicador



► 1. Lâmpadas indicadoras 2. Botão de verificação

Pressione o botão de verificação no cartucho da bateria para indicar a capacidade residual da bateria. As lâmpadas indicadoras acendem por alguns segundos.

Lâmpadas indicadoras			Capacidade residual
Asceso	Desligado	Intermitente	
■	□	◐	75% a 100%
■ ■ ■ ■	■ ■ ■ ■	■ ■ ■ ■	
■ ■ ■ ■	■ ■ ■ ■	■ ■ ■ ■	50% a 75%
■ ■ ■ ■	■ ■ ■ ■	■ ■ ■ ■	25% a 50%
■ ■ ■ ■	■ ■ ■ ■	■ ■ ■ ■	0% a 25%
◐	□	□	Carregue a bateria.
■ ■ ■ ■	■ ■ ■ ■	■ ■ ■ ■	A bateria poderá ter uma anomalia.
□	□	■ ■ ■ ■	

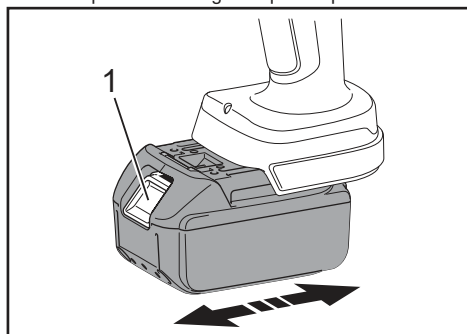
NOTA: Dependendo das condições de utilização e da temperatura ambiente, a indicação poderá diferir ligeiramente da capacidade atual.

NOTA: A primeira lâmpada indicadora (lado esquerdo extremo) fica intermitente quando o sistema de proteção da bateria estiver a funcionar.

Como utilizar a ferramenta

Instalar a bateria

1. Enquanto pressiona a lingueta, puxe a bateria para fora. Para substituir a bateria, empurre a nova bateria firmemente para a devida posição.
2. Após inserir uma bateria, verifique se está firmemente posicionada puxando-a ligeiramente. Não pressione a lingueta quando puxar a bateria.

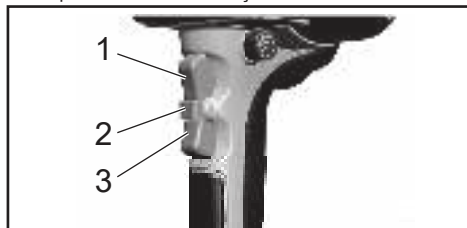


- 1. Lingueta

Operações do interruptor

Para fins de segurança, a ferramenta tem um sistema de interruptor de dois modos.

Para ativar o interruptor de modo de avanço (corte) e de modo de inversão (inversão), pressione primeiramente o bloqueio do interruptor e, em seguida, pressione o interruptor de modo de avanço/inversão.



- 1. Interruptor de modo de avanço
2. Bloqueio do interruptor
3. Interruptor de modo de inversão

Lâmpada LED de assistência de trabalho

Esta ferramenta tem uma lâmpada LED que ilumina a periferia da lâmina do cortador. Acende quando o interruptor de avanço ou de inversão está ligado e, em seguida, desliga aproximadamente 10 segundos após o interruptor ser libertado.

⚠ CUIDADO:

- Não olhe diretamente para a lâmpada LED. Olhar para a lâmpada LED por um período prolongado poderá danificar a sua visão.

Alarme de bateria fraca

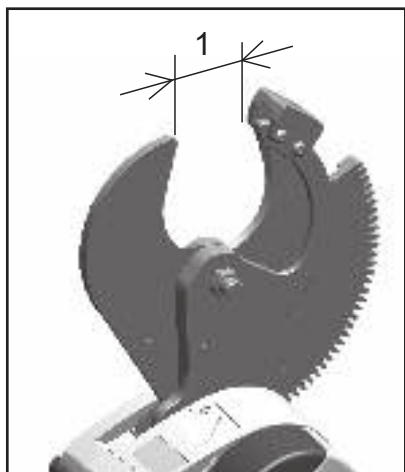
Se a capacidade residual da bateria for baixa, a luz LED pisca 5 vezes como um alarme quando o interruptor de modo de avanço está ligado. Carregue a bateria ou substitua-a por uma sobresselente.

Operações de corte

1. [DTC100]
Ative o interruptor para abrir a lâmina móvel.
Utilize os interruptores de modo de avanço e de modo de inversão para colocar a lâmina móvel em ponto morto.



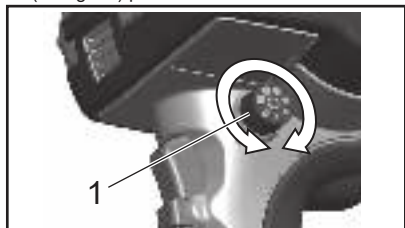
1. [DTC101]
Assegurar que a abertura é suficiente.
Assegure que a abertura é suficientemente grande para instalar um cabo. Se a abertura for demasiado estreita, pressione o interruptor de modo de inversão para abri-la.



► 1. Abertura

2. Utilizar o botão indicador para ativar ou desativar a inversão automática

Mova o botão para a posição pretendida para ativar a inversão automática ou mova-o para a posição off (desligado) para desativá-la.

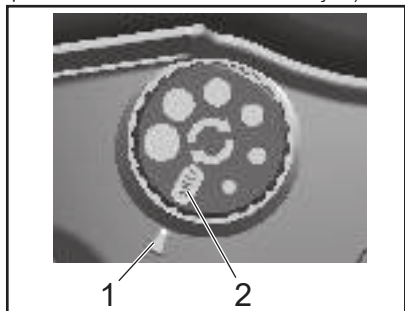


► 1. Botão indicador

A função de inversão automática

Quando a inversão automática está ativada, o motor trava após cortar um cabo. Após o interruptor de modo de avanço ser libertado, a lâmina móvel retorna automaticamente conforme regulado pelo botão indicador.

A abertura pode ser ajustada entre 6 níveis. (A quantidade de abertura é uma orientação.)



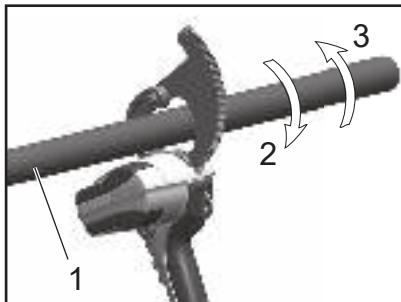
► 1. Quantidade de abertura 2. Desligado

⚠ CUIDADO:

- A inversão automática não ativa se o interruptor de modo de avanço for libertado antes do corte completo.
- A inversão automática não ativa com um cabo elétrico fino de 60 mm² ou menos.
- O diâmetro da abertura poderá diferir dependendo da tensão residual da bateria.

3. [DTC100]

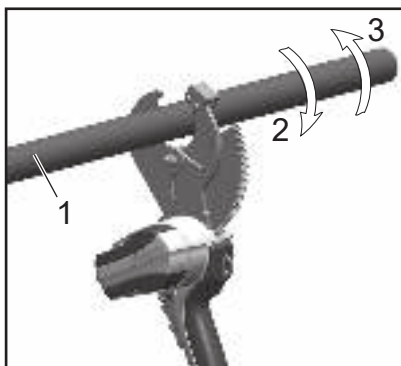
Inserir o cabo elétrico na abertura da lâmina móvel. Coloque o cabo a cortar na lâmina estacionária e feche a lâmina móvel em redor do cabo. Avance a lâmina móvel manualmente, de modo que os dentes da engrenagem engatem no mecanismo de acionamento da unidade.



► 1. Cabo 2. Rotação de corte
3. Rotação inversa

3. [DTC101]

Inserir o cabo elétrico na abertura da lâmina móvel. Coloque o cabo a cortar na abertura da lâmina e no lado da lâmina estacionária.



► 1. Cabo 2. Rotação de corte
3. Rotação inversa

4. Operar o interruptor de modo de avanço e cortar o cabo elétrico. Mantenha o interruptor de modo de avanço pressionado até que o corte esteja concluído.
5. Remova os detritos após o corte. Após concluir o corte, remova quaisquer aparas ou detritos na lâmina.

⚠ CUIDADO:

• **Funcionamento prolongado**

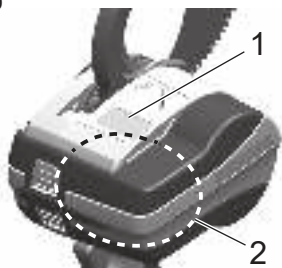
Para proteger o motor, pare de utilizar a ferramenta quando a área em redor da etiqueta de precaução ficar quente. Para continuar a utilizar a ferramenta, coloque a ferramenta durante 50 minutos num local fresco e bem ventilado até arrefecer.

• **A proteção contra sobrecorrente/sobrecarga também pode ser ativada até mesmo quando opera a ferramenta dentro da capacidade de corte.**

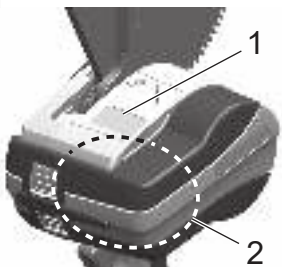
A temperatura operacional, o comprimento e curvatura do cabo, entre outros fatores, afetam o desempenho da ferramenta.

• **Se a luz LED piscar 6 vezes ou mais, trata-se de uma indicação de erro da placa de circuito. Contacte o seu distribuidor.**

DTC100



DTC101



- ▶ 1. Etiqueta de precaução
- ▶ 2. Área de aviso de elevado calor

⚠ CUIDADO:

• **DTC100 e DTC101 destinam-se exclusivamente a cabos de cobre e de alumínio. Não utilize estas ferramentas para aço, ACSR ou outros materiais de aço.**

A função de proteção contra sobrecorrente

Caso se aplique corrente de sobrecarga devido ao corte de cabos fora da especificação, a função de proteção contra sobrecorrente ativa e para o motor. Para retomar o funcionamento, liberte o interruptor de modo de avanço.

Substituir por peças sobresselentes (DTC100)

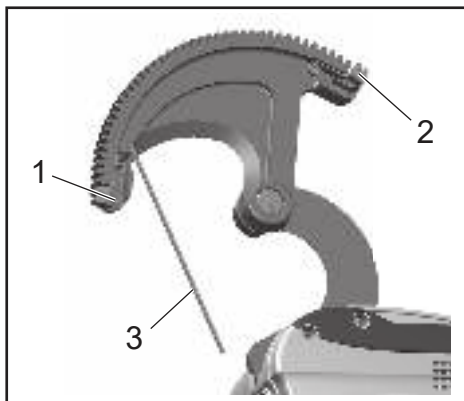
Para substituir a guia de engrenagem de forma autónoma, siga o procedimento seguinte.

⚠ CUIDADO:

- **Certifique-se de que remove a bateria da unidade principal antes de substituir a guia de engrenagem.**
- **Se a guia de engrenagem estiver danificada ou produzir um ruído anormal, substitua-a imediatamente. Se continuar a utilizar o produto com uma guia de engrenagem danificada poderá causar danos nas engrenagens internas.**

Substituir a guia de engrenagem

1. Remover a guia de engrenagem
Utilize uma chave hexagonal para desapertar o parafuso com orifício hexagonal (M3 x 3) e remova a guia de engrenagem.
2. Montar a guia de engrenagem
Monte a nova guia de engrenagem e aperte o parafuso firmemente.



- 1. Guia de engrenagem (A)
2. Guia de engrenagem (B) 3. Chave hexagonal

Substituir por peças sobresselentes (DTC101)

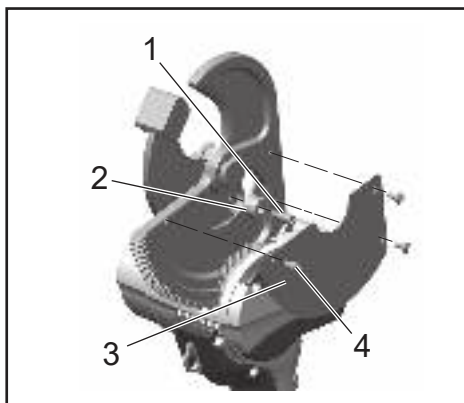
Para substituir o batente de forma autónoma, siga o procedimento seguinte.

⚠ CUIDADO:

- **Certifique-se de que remove a bateria da unidade principal antes de substituir o batente.**

Substituir o batente

1. Remova os parafusos Phillips de cabeça redonda, a placa e o parafuso de ombro (37) e, em seguida, retire o batente.
2. Instale o novo batente com o parafuso de ombro, aplique cola de fixação para parafusos no parafuso e, em seguida, aperte completamente.
3. Instale a placa e aparafuse os parafusos Phillips de cabeça redonda.

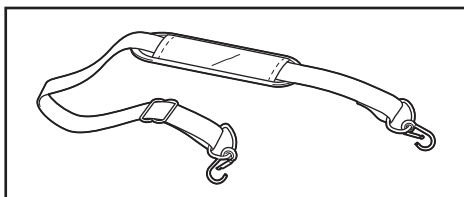


- 1. Parafuso de ombro (37) 2. Batente 3. Placa
4. Parafusos Phillips de cabeça redonda

Acessórios opcionais

• Cinto de ombro (161347-8)

Esta correia de ombro é utilizada através da ligação da correia de pendurar da ferramenta.



Manutenção/inspeção

- Tenha em conta que a negligência da manutenção/inspeção diária poderá causar uma anomalia da ferramenta.
- Evite armazenar a ferramenta num ambiente húmido para o funcionamento correto da ferramenta e prevenção de ferrugem.
- Se a ferramenta for danificada durante a utilização normal (10.000 operações ou mais, 1.000 cortes ou mais), não retome a operação simplesmente após substituir apenas a peça danificada, pois atingiu o fim da respetiva vida útil.
- Quando uma peça de resina ficar suja, utilize um pano macio humedecido com água e sabão para limpá-la.
- Quando armazenar a bateria isoladamente, certifique-se de que coloca a tampa do terminal do acessório no terminal para evitar curto-circuito.
- Para realizar a inspeção de segurança, recomendamos que envie a ferramenta ao fabricante aproximadamente uma vez a cada dois anos (incorre em encargos). Contacte o seu distribuidor para obter informações detalhadas.

Especificações

Cortador de cabo a bateria	DTC100	DTC101
Diâmetro máximo de corte	Apenas materiais não-ferrosos (AL ou Cu)	
	φ50 mm (fio de Cu φ30 mm / fio de Al φ38 mm)	
Motor elétrico	Motor CC	
Dimensões	117 (P) × 320 (A) × 197 (L) (mm)	117 (P) × 380 (A) × 189 (L) (mm)
Peso	2,2 kg	2,9 kg

⚠ CUIDADO:

- **DTC100 e DTC101 destinam-se exclusivamente a cabos de cobre e de alumínio. Não utilize estas ferramentas para aço, ACSR ou outros materiais de aço.**

Declarações de conformidade

Exclusivamente para países europeus

As Declarações de conformidade estão incluídas no Anexo A do presente manual de instruções.

⚠ ADVARSEL: Læs og forstå venligst alle instruktionerne og sikkerhedsinformationen i denne vejledning og instruktioner for operatør. Brug til utilsigtede anvendelser kan muligvis føre til alvorlig tilskadekomst eller død.

- Tak fordi du købte vores batteridrevne kablesaks.
- Læs venligst denne instruktionsvejledning omhyggeligt igennem, inden du forsøger at anvende apparatet. Efter du har læst denne instruktionsvejledning, skal du gemme den på et sted, der er nemt at komme til.
- **Beskrivelse**
De mekaniske sakse er batteridrevne sakse beregnet til at klippe kabler anvendt i industrien i dag.

Sikkerhedsforholdsregler

⚠ ADVARSEL: Læs alle sikkerhedsadvarslerne og alle instruktionerne. Hvis du ikke følger advarslerne og instruktionerne kan det muligvis resultere i elektrisk stød, brand og/eller alvorlig tilskadekomst.

Gem alle advarsler og instruktioner til fremtidig reference.

⚠ ADVARSEL: Brugeren kan muligvis blive dræbt eller komme alvorligt til skade, hvis dette produkt bruges forkert.

1) Sikkerhed af arbejdsområde

- a) Hold arbejdsområdet rent og veloplyst. Rodede eller mørke områder inviterer til ulykker.
- b) Betjen ikke maskiner i eksplosive atmosfærer, som fx ved tilstedeværelse af brændbare væsker, gasser eller støv. Maskiner danner gnister, der muligvis kan antænde støvet eller dampene.
- c) Hold børn og andre tilstedeværende væk, mens du anvender en maskine. Distractioner kan forårsage, at du mister kontrollen.

2) Elsikkerhed

- a) Maskinstik skal passe til stikkontakten. Modificer aldrig stikket på nogen måde. Brug ikke nogen adapterstik med jordede maskiner. Umodificerede stik og passende stikkontakter vil reducere risikoen for elektrisk stød.
- b) Undgå kropskontakt med jordede overflader, som fx rør, radiatorer, komfurer og køleskabe. Der er en forøget risiko for elektrisk stød, hvis din krop er jordet.
- c) Udsæt ikke maskiner for regn eller våde forhold. Vand, der trænger ind i en maskine, vil forøge risikoen for elektrisk stød.
- d) Misbrug ikke ledningen. Brug aldrig ledningen til at bære, trække i eller frakoble maskinen med.
Hold ledningen væk fra varme, olie, skarpe kanter eller bevægelige dele. Beskadigede eller udviklede ledninger forøger risikoen for elektrisk stød.

- e) Når du betjener en maskine udendørs, skal du anvende en forlængerledning, som er egnet til udendørs brug. Brug af en ledning, som er egnet til udendørs brug, reducerer risikoen for elektrisk stød.
- f) Hvis betjening af en maskine på et fugtigt sted ikke kan undgås, skal du anvende en strømforsyning, der er beskyttet med en fejlstrømsafbryder (RCD). Brug af en fejlstrømsafbryder reducerer risikoen for elektrisk stød.

3) Personlig sikkerhed

- a) Vær opmærksom, se hvad du laver og brug sund fornuft, når du betjener en maskine.
Brug ikke en maskine, når du er træt eller under indflydelse af stoffer, alkohol eller medicin. Et øjeblik uopmærksomhed under betjening af maskiner kan resultere i en alvorlig personskade.
- b) Brug personligt beskyttelsesudstyr. Bær altid øjenbeskyttelse. Beskyttelsesudstyr som fx en støvmaske, skridsikre sikkerhedssko, hjelm, hørebeskyttelse anvendt til passende forhold vil reducere personskader.
- c) Forhindr utilsigtet start. Sikr dig, at kontakten er i slukket-positionen, inden du tilslutter til en strømkilde og/eller batteripakke, tager maskinen op eller bærer på den. Det inviterer til ulykker, hvis du bærer på maskiner med fingeren på kontakten, eller strømforsyner maskiner, hvorpå kontakten er slået til.
- d) Fjern enhver justeringsnøgle eller fastnøgle, inden du tænder for maskinen. En fastnøgle eller en nøgle, som lades være fastgjort til en roterende del af maskinen, kan resultere i en personskade.
- e) Stræk dig ikke for langt. Bevar altid ordentligt fodfæste og balance. Dette muliggør bedre kontrol af maskinen i uventede situationer.
- f) Bær passende tøj. Bær ikke løs beklædning eller smykker. Hold hår, beklædning og handsker væk fra bevægelige dele. Løs beklædning, smykker eller langt hår kan blive fanget i bevægelige dele.
- g) Hvis der er sat enheder til tilslutningen for støvudsugning og opsamlingsfaciliteter, skal du sikre dig, at de er tilsluttet og anvendt korrekt. Brug af støvopsamling kan reducere støvrelaterede risici.

- h) Lad ikke kendskab opnået via hyppig brug af maskiner gøre dig magelig og ignorere sikkerhedsprincipperne for maskinen. En uforsigtig handling kan forårsage alvorlig tilskadekomst på en brøkdæl af et sekund.
- d) Under forhold med forkert anvendelse kan der komme væske ud fra batteriet. Undgå kontakt. Hvis der utilsigtet opstår kontakt, skal der skylles med vand. Hvis væske kommer i kontakt med øjne, skal der endvidere opsøges læge.

Væske, der kommer ud fra batteriet, kan muligvis forårsage irritation eller forbrændinger.

4) Anvendelse og vedligeholdelse af maskine

- a) Tving ikke maskinen. Brug den korrekte maskine til din anvendelse. Den korrekte maskine vil udføre jobbet bedre og mere sikkert ved den hastighed, den er beregnet til.
- b) Brug ikke maskinen, hvis kontakten ikke tænder og slukker for den. Enhver maskine, som ikke kan kontrolleres med kontakten, er farlig og skal repareres.
- c) Afbryd stikket fra strømkilden og/eller batteripakken fra maskinen, inden du udfører nogen justeringer, skifter tilbehør, eller opbevarer maskiner. Sådanne forebyggende sikkerhedsforholdsregler reducerer risikoen for, at maskinen starter utilsigtet.
- d) Gem maskiner, som ikke anvendes, uden for børns rækkevidde, og lad ikke personer, som ikke er bekendt med maskinen eller denne vejledning, betjene maskinen. Maskiner er farlige i hænderne på utrænede brugere.
- e) Vedligehold maskiner og tilbehør. Kontroller for skævhed i eller binding af bevægelige dele, brud på dele og enhver anden tilstand, som muligvis kan indvirke på maskinens betjening. Hvis beskadiget, skal du få maskinen repareret inden brug. Mange ulykker er forårsaget af dårligt vedligeholdte maskiner.
- f) Sørg for, at skæneredskaber er skarpe og rene. Korrekt vedligeholdte skæneredskaber med skarpe ægge er mindre tilbøjelige til at binde, og er nemmere at kontrollere.
- g) Brug maskinen, tilbehørene og værktøjsbittene osv. i overensstemmelse med denne vejledning, under hensyntagen til arbejdsforholdene og det arbejde som skal udføres.
- Brug af maskinen til andre betjening, end dem der er beregnet til, kan resultere i farlige situationer.
- h) Hold håndtag og gribeflader tørre, rene og fri for olie og smørelse. Glatte håndtag og gribeflader gør det umuligt at foretage sikker håndtering og kontrol af maskinen i uventede situationer.
- e) Brug ikke en batteripakke eller maskine, som er beskadiget eller modificeret. Beskadigede eller modificerede batterier kan udvise en uforudseelig opførsel, resulterende i brand, eksplosion eller risiko for tilskadekomst.
- f) Udsæt ikke en batteripakke eller maskine for ild eller overdreven temperatur. Udsættelse for ild eller temperatur over 130°C kan muligvis forårsage eksplosion.
- g) Følg alle opladningsinstruktioner og oplad ikke batteripakken eller maskinen uden for det temperaturområde, der er angivet i vejledningen. Forkert opladning eller ved temperaturer uden for det angivne område kan muligvis beskadige batteriet og forøge risikoen for brand.

6) Service

- a) Få udført service på din maskine af en kvalificeret fagmand, som kun anvender identiske reservedele. Dette vil sikre, at sikkerheden af maskinen bevares.
- b) Udfør aldrig service på beskadigede batteripakker. Udførelse af service på batteripakker bør kun foretages af producenten eller autoriserede serviceudbydere.

Hold maskinen i de isolerede gribeflader, når du udfører en betjening, hvor fastgørelsesmidlet muligvis kan komme i kontakt med skjulte ledninger. Fastgørelsesmidler, som kommer i kontakt med en strømførende ledning, kan muligvis lede strøm igennem uafdækkede metaldele på maskinen, og kan give operatøren et elektrisk stød.

Brug original Makita-batterioplader og batteripakke.

- Brug original batteripakke til denne maskine.
- Oplad ikke batteripakken med en anden batterioplader. Hvis dette ikke overholdes, kan det forårsage et brud, der muligvis kan medføre en ulykke eller tilskadekomst.

Oplad batteripakken på en korrekt måde.

- Brug en strømkilde med en normeringsangivelse til at tilslutte den batterioplader, der fulgte med dette produkt.
- Brug ikke en jævnstrømsstrømkilde eller en motordrevet strømgenerator til at oplade batteripakken med. Hvis dette ikke overholdes, kan dette udvikle overdreven varme, som muligvis kan medføre en brand.
- Når den omgivende temperatur, batteripakken eller batteriopladeren er mindre en 0 °C eller mere end 40 °C, skal du ikke oplade batteripakken. Hvis dette ikke overholdes, kan det forårsage et brud eller en brand.
- Når du oplader batteripakken, skal du vælge et sted med god udluftning til opladning.
- Tildæk ikke batteripakken med et klæde under opladning. Hvis dette ikke overholdes, kan det forårsage et brud eller en brand.
- Sørg for, at afbryde strømskikket efter opladning. Hvis dette ikke overholdes, kan det forårsage et elektrisk stød eller en brand.

5) Anvendelse og vedligeholdelse af batterimaskine

- a) Genoplad kun med den oplader, som er angivet af producenten. En oplader, som er egnet til én type batteripakke, kan muligvis skabe en risiko for brand, når den anvendes med en anden batteripakke.
- b) Brug kun maskiner med batteripakker, som er specifikt beregnet til dem. Brug af nogen anden batteripakke kan skabe en risiko for tilskadekomst og brand.
- c) Når batteripakken ikke er i brug, skal den opbevares væk fra andre metalgenstande, som fx papirklips, mønter, nøgler, søm, skruer eller andre små metalgenstande, som kan lave en forbindelse fra den ene terminal til den anden. Kortslutning ved forbindelse af batteriterminalerne kan forårsage forbrændinger eller en brand.

Ret ikke saksen mod mennesker under brug.

- Hvis dette ikke overholdes, kan det muligvis medføre tilskadekomst.

Kortslut ikke terminalerne på batteripakken.

- Når batteripakken opbevares alene, skal du sørge for at sætte terminaldækslet på terminalen for at forhindre kortslutning. Sørg for, at batteriterminalerne ikke vil blive kortsluttet af andre metaldele, som fx skruer, søm osv.

Udsæt ikke batteripakken for åben ild.

- Hvis dette ikke overholdes, kan det forårsage brud eller lækage af et farligt materiale.

Må ikke bruges på dele, som er strømførende.

- Maskinen er ikke isoleret. Brug på strømførende steder kan medføre elektrisk stød.
- Rør ikke strømstikket eller batteripakken med våde hænder. Hvis dette ikke overholdes, kan det muligvis medføre elektrisk stød.

Fjern batteripakken fra maskinens hus i de følgende tilfælde.

- Når den ikke anvendes eller ved reparation
 - Når der udskiftes reservedele
 - På andre tidspunkter, hvis der anes fare
- Hvis disse advarsler ikke overholdes, kan det forårsage, at maskinen tænder ved et uheld og medfører tilskadekomst.

Uventet start af maskine.

- Sørg for, at fingre er holdt langt væk fra afbryderen, når maskinen flyttes. Uventet start af maskinen kan muligvis resultere i tilskadekomst.

Brug kun specificeret tilbehør.

- Brug ikke noget andet tilbehør end det, som er angivet i denne instruktionsvejledning eller i vores katalog. Hvis dette ikke overholdes, kan det muligvis medføre en ulykke eller tilskadekomst.

Brug beskyttelsesudstyr.

- Brug sikkerhedsbriller under betjening. Hvis betjeningen er støvet, skal du anvende en beskyttelsesmaske. Når der skæres, kan mindre stykker spredes og forårsage tilskadekomst.

Stir ikke på LED-arbejdslyampen.

- Det kan muligvis nedsætte synet.

Overvej arbejdsmiljøet.

- Brug ikke maskinen, batteriopladeren eller batteripakken i regn eller på et vådt eller fugtigt sted. Hvis dette ikke overholdes, kan det forårsage et elektrisk stød eller røg.
- Udfør arbejde på et tilstrækkeligt oplyst sted. Arbejde på et mørkt sted kan muligvis forårsage en ulykke.
- Brug ikke og oplad ikke batteriet ved tilstedeværelse af brændbar væske eller gas. Hvis dette ikke overholdes, kan det muligvis forårsage en eksplosion eller en brand.

Hold altid arbejdsstedet rent.

- Rodede steder og bænke kan muligvis forårsage en ulykke.

Hold børn væk fra maskinen.

- Lad ikke andre personer end operatørerne røre maskinen og ledningen på batteriopladeren. Hold personer væk fra arbejdsstedet. Hvis dette ikke overholdes, kan det muligvis forårsage tilskadekomst.

Når maskinen ikke anvendes, skal den opbevares korrekt.

- Opbevar maskinen på et sted, hvor luftfugtigheden er lav, og også på et højt sted, hvor børn ikke kan nå den, eller på et sted der kan låses. Hvis dette ikke overholdes, kan det muligvis forårsage en ulykke.
- Opbevar ikke maskinen eller batteripakken på et sted, hvor temperaturen kan stige 40°C eller højere (inden i en metalkasse, inden i en bil om sommeren osv.). Hvis dette ikke overholdes, kan batteripakken tage skade, hvilket muligvis kan medføre røg eller antændelse.

Brug ikke maskinen på en uforsvarlig måde.

- Foretag betjening i overensstemmelse med maskinens kapacitet af hensyn til sikker og effektiv betjening. Brug af maskinen ud over dens kapacitet kan muligvis forårsage en ulykke.
- Brug ikke maskinen på en uforsvarlig måde, som får motoren til at blive låst. Hvis dette ikke overholdes, kan det muligvis forårsage røg eller antændelse.

Brug en maskine egnet til betjeningen.

- Brug ikke maskinen til noget andet end de angivne anvendelser. Hvis dette ikke overholdes, kan det muligvis forårsage tilskadekomst.

Foretag betjening med korrekt beklædning.

- Bær ikke løs beklædning eller løse smykker som fx en halskæde. Sådanne ting kan blive viklet ind i en bevægelig del, roterende del eller lignende.
- Når der foretages betjening udenørs, anbefales anvendelse af gummihandsker og skridsikre sko. Glatte handsker og sko kan muligvis forårsage tilskadekomst.
- Hvis du har langt hår, skal du anvende en kasket eller et hårdække til at dække dit hår med. Hvis dette ikke overholdes, kan det forårsage, at dit hår bliver viklet ind i en bevægelig del, roterende del eller lignende.

Betjen ikke maskinen med en unaturlig kropstilling.

- Bevar altid korrekt fodfæste og hold balancen. Hvis dette ikke overholdes, kan det få dig til at vælte, hvilket muligvis kan medføre tilskadekomst.

Vær opmærksom, når du arbejder, med stor årvågenhed.

- Når du anvender maskinen, skal du være omhyggelig med håndteringsmetoden, betjeningsmåden og omgivende forhold, samt foretage din betjening omhyggeligt. Hvis dette ikke overholdes, kan det muligvis forårsage en ulykke eller tilskadekomst.
- Betjen ikke maskinen under påvirkning af alkohol. Hvis dette ikke overholdes, kan det muligvis forårsage en ulykke eller tilskadekomst.

- Betjen ikke maskinen, når du er i dårlig fysisk tilstand. Hvis dette ikke overholdes, kan det muligvis forårsage en ulykke eller tilskadekomst.

Håndter ikke ledningen på batteriopladeren på en hård måde.

- Bær ikke opladeren i ledningen eller træk i den for at afbryde den fra stikkontakten.
- Hold ledningen væk fra varme, olie og skarpe kanter.
- Sørg for, at opladningsmiljøet er således, at man ikke træder på eller falder over ledningen. Hvis dette ikke overholdes, kan det forårsage et elektrisk stød eller en kortslutning, hvilket muligvis kan medføre antændelse.

Brug en forlængerledning til udendørsbrug.

- Hvis du anvender maskinen udendørs, skal du anvende en forlængerledning lavet af stærkt gummibeklædt kabel.

Foretag omhyggelig vedligeholdelse af maskinen.

- Følg instruktionsvejledningen ved udskiftning af reservedele. Hvis dette ikke overholdes, kan det muligvis forårsage tilskadekomst.
- Efterse ledningen på batteriopladeren regelmæssigt. Hvis ledningen er beskadiget, skal du bede et autoriseret serviceværksted angående reparation. Hvis dette ikke overholdes, kan det forårsage et elektrisk stød eller en kortslutning, hvilket muligvis kan medføre antændelse.
- Hvis der anvendes en forlængerledning, skal ledningen efterses regelmæssigt. Hvis ledningen er beskadiget, skal den udskiftes med en ny. Hvis dette ikke overholdes, kan det forårsage et elektrisk stød eller en kortslutning, hvilket muligvis kan medføre antændelse.
- Hold altid grebet tørt og rent og hold det væk fra olie og smørelse. Hvis dette ikke overholdes, kan det muligvis forårsage tilskadekomst.

Kontroller beskadigede dele.

- Kontroller, at der ikke er noget, som er beskadiget, inden brug. Bekræft, at maskinen fungerer normalt, og alle komponenter fungerer korrekt.
- Kontroller for justering af bevægelige dele, at bevægelige dele fungerer fint, beskadigelse af dele, montering og alle andre forhold, som muligvis kan påvirke dens funktion.
- Brug ikke en batterioplader, hvis strømskik eller ledning er beskadiget, eller som blev tabt og derefter beskadiget. Hvis dette ikke overholdes, kan det forårsage et elektrisk stød eller en kortslutning, hvilket muligvis kan medføre antændelse.

Hvis beskadiget, skal den repareres ordentligt eller udskiftes af et autoriseret serviceværksted, medmindre der er andet indikeret i denne instruktionsvejledning. Få defekte kontakter udskiftet af et autoriseret serviceværksted. Brug ikke maskinen, hvis kontakten ikke tænder og slukker for den. Sådanne maskiner kan muligvis fungere unormalt, hvilket kan medføre tilskadekomst.

Bed det autoriserede serviceværksted om reparation.

- Adskil, reparer eller modificer ikke hovedenheden, batteriopladeren eller batteripakken. Hvis dette ikke overholdes, kan det forårsage antændelse eller unormal funktion, hvilket muligvis kan medføre tilskadekomst.
- Hvis maskinen bliver varm, eller der opdages noget unormalt ved maskinen, skal du bede om eftersyn eller reparation af maskinen.
- Denne maskine er lavet i overensstemmelse med de relevante sikkerhedskrav. Forsøg ikke at modificere dette produkt.
- Få din maskine repareret af et autoriseret servicecenter. Reparation må kun udføres af en kvalificeret person, som anvender originale reservedele, da dette ellers muligvis kan resultere i betydelig fare for brugeren.

Forholdsregler for brug af den batteridrevne kabelsaks

- Når du anvender maskinen, skal du følge instruktionerne som vist nedenfor:

Forholdsregler for maskinen

- **Skær aldrig noget over den maksimale skærekapacitet.**

Vær forsigtig, da hvis dette ikke overholdes, kan det muligvis medføre beskadigelse. (se side 131)

- **Rør ikke æggen på de bevægelige eller fastgjorte klinger.**

Hvis dette ikke overholdes, kan det muligvis medføre tilskadekomst.

- **Skær aldrig strømførende ledninger (elkabler, som leder strøm).**

- **Må ikke udsættes for fald eller andre kraftige stød.**

Den interne struktur er blevet præcist produceret for at gøre den kompakt og let, så den fungerer muligvis ikke ordentligt, hvis den udsættes for stød.

- **Må ikke bruges i regn.**

Hvis du gør dette, kan det få klingen til at ruste og sløve æggen eller medføre beskadigelse.

- **Skær ikke overskydende længder på 50 mm eller mindre.**

Skæres overskydende længder af enderne af CCP og andre kabler meget korte, kan det forårsage, at der bliver skåret i det indvendige af kablet osv.

- **Anvend ikke kraft i den retning, der skæres.**

Skær altid materialer lige. Hvis dette ikke overholdes, kan det beskadige saksens klinge.

- **Hold godt fast.**

Hvis dette ikke overholdes, kan det muligvis medføre tilskadekomst.

- **Sørg for, at der ikke er nogen nenedunder dig, inden anvendelse på et højt sted.**

Hvis dette ikke overholdes, kan det medføre en ulykke, hvis materialer eller enheden skulle tabes osv.

- **Kontroller for at sikre dig, der ikke er noget unormalt inden brug.**

Revner eller brud på saksen kan muligvis beskadige saksen og medføre tilskadekomst.

- **Tag pauser under brug.**

Længerevarende skæring uden pauser bevarer en forhøjet motorvarme, som muligvis kan overophede motoren og batteripakken og medføre beskadigelse. Sørg for at tage pauser indimellem under brug.

- **Lave omgivelsestemperaturer (10 °C eller mindre) kan muligvis forårsage, at elkablet bliver hårdt, hvilket gør det svært at skære, selv når det er inden for skærekapaciteten.**

- **Rengør med luft osv. efter hver anvendelse.**

Vær omhyggelig med at forhindre afskårne stykker og rester i at komme ind i enheden gennem åbningen (bevægelig klingedrivenhed).

- **Skær ikke elkabler med 1-mm-diameter tråd.**

Hvis dette ikke overholdes, kan det muligvis medføre, at saksens klinge bliver fanget i elkablet og låses fast.

Forholdsregler for brug af batteripakke

- Kortslut aldrig terminalerne.
- Hold batteripakken væk fra vand, olie og organiske opløsningsmidler.
- Adskil eller modificer ikke batteripakken.
- Hvis batteripakken bortskaffes, skal den ikke udsættes for åben ild eller bortskaffes som almindeligt affald. (Vi anbefaler genbrug).
- Kast eller tab ikke batteripakken.
- Efterlad ikke batteripakken på et sted, hvor temperaturen er 40 °C eller højere i lang tid.
- Kortslut ikke batteriet ved at placere snavs eller støv på terminalen, da dette vil medføre funktionsfejl. Hvis terminalen er rustet, skal du ikke anvende batteripakken.
- For at forlænge batteripakkens levetid er den udstyret med en beskyttelsesfunktion, som stopper udgangen. Motoren stopper muligvis, når det resterende batteriniveau er lavt, selv når der er trykket på betjeningskontakten under brug af denne maskine. Men dette fænomen er ikke forårsaget af en funktionsfejl, men af beskyttelsesfunktionen. I sådan et tilfælde skal du straks oplade batteriet.

Forholdsregler for batteriopladeren

- Denne batterioplader har en indikatorlampe (flerfarvet LED) til at vise tilstanden for batteriopladningen.
- Kortslut ikke opladeren ved at placere snavs eller støv i indsættelsesåbningen, da dette vil medføre funktionsfejl. Hvis metalterminalen er rustet, skal du ikke anvende batteriopladeren.

ADVARSELSSYMBOLER



Inden du anvender maskinen, skal du omhyggeligt læse instruktionerne i denne vejledning.



Område for høj varme-advarsel

For at beskytte motoren må du ikke anvende den, hvis området for høj varme-advarsel bliver varmt. (se side 129)



Rør ikke under betjening.

Symboler



Kun for lande inden for EU
På grund af tilstedeværelsen af farlige komponenter i udstyret kan affald af elektrisk og elektronisk udstyr, akkumulatører og batterier have en negativ indvirkning på miljøet og folkesundheden.

Bortskaf ikke elektriske og elektroniske apparater eller batterier sammen med husholdningsaffald!

I overensstemmelse med EF-direktiv om affaldshåndtering af elektrisk og elektronisk udstyr og om akkumulatører og batterier og affaldsakkumulatører og -batterier, og i overensstemmelse med national lovgivning, skal brugt elektrisk udstyr, batterier og akkumulatører opbevares separat og leveres til et separat indsamlingssted for kommunalt affald, der er etableret i henhold til bestemmelserne om miljøbeskyttelse. Dette er angivet ved symbolet på den krydsede skraldespand, der er placeret på udstyret.

Lyd

Det typiske A-vægtede støjniveau bestemt i overensstemmelse med EN62841-1:

Lydtrykniveau (K=3 dB(A)): 69,5 dB(A)

Lydkraftniveau (K=3 dB(A)): 78,1 dB(A)

BEMÆRK: De(n) angivne støjemissionsværdi(er) er målt i overensstemmelse med en standardtestmetode og kan anvendes til at sammenligne en maskine med en anden.

BEMÆRK: De(n) angivne støjemissionsværdi(er) kan også anvendes i en præliminær eksponeringsvurdering.

⚠ADVARSEL: Bær høreværn.

⚠ADVARSEL: Støjemissionen under den faktiske anvendelse af maskinen kan være forskellig fra de(n) angivne værdi(er), afhængigt af den måde hvorpå maskinen anvendes, især den type arbejdsemne der behandles.

⚠ADVARSEL: Sørg for at identificere de sikkerhedsforskrifter til beskyttelse af operatøren, som er baseret på en vurdering af eksponering under de faktiske brugsforhold (med hensyntagen til alle dele i brugscyklussen, f.eks. de gange, hvor maskinen er slukket, og når den kører i tomgang i tilgift til afbrydertiden).

Vibration

Vibrationens totalværdi (tre-aksial vektorsum) bestemt i overensstemmelse med EN62841-1:

Håndtag: 0,3 m/s²

Usikkerhed (K): 1,5 m/s²

BEMÆRK: De(n) angivne totalværdi(er) for vibration er målt i overensstemmelse med en standardtestmetode og kan anvendes til at sammenligne en maskine med en anden.

BEMÆRK: De(n) angivne totalværdi(er) for vibration kan også anvendes i en præliminær eksponeringsvurdering.

⚠ADVARSEL: Vibrationsemissionen under den faktiske anvendelse af maskinen kan være forskellig fra de(n) angivne værdi(er), afhængigt af den måde hvorpå maskinen anvendes, især den type arbejdsemne der behandles.

⚠ADVARSEL: Sørg for at identificere de sikkerhedsforskrifter til beskyttelse af operatøren, som er baseret på en vurdering af eksponering under de faktiske brugsforhold (med hensyntagen til alle dele i brugscyklussen, f.eks. de gange, hvor maskinen er slukket, og når den kører i tomgang i tilgift til afbrydertiden).

Anvendelig batteripatron og oplader

Batteripatron	BL1815N / BL1820B / BL1830B / BL1840B / BL1850B / BL1860B
Oplader	DC18RC / DC18RD / DC18RE / DC18SD / DC18SE / DC18SF / DC18SH / DC18WC

- Visse batteripatroner og opladere nævnt ovenfor er muligvis ikke til rådighed afhængigt af din bopælsregion.
- For at oplade batteriet skal du læse instruktionsvejledningen til batteriopladeren.

⚠ ADVARSEL: Brug kun de batteripatroner og opladere, der er nævnt ovenfor. Brug af nogen andre batteripatroner og opladere kan muligvis forårsage tilskadekomst og/eller brand.

Vigtige sikkerhedsinstruktioner for batteripatronen

1. **Inden brug af batteripatronen skal du læse alle instruktioner og advarselmærkater på (1) batteriopladeren, (2) batteriet og (3) produktet, som anvender batteriet.**
2. **Adskil eller ændr ikke batteripatronen.** Det kan muligvis resultere i en brand, overdreven varme eller eksplosion.
3. **Hvis driftstiden er blevet meget kortere, skal du straks stoppe betjeningen.** Det kan muligvis resultere i en risiko for overophedning, mulige forbrændinger og endda en eksplosion.
4. **Hvis du får elektrolyt i øjnene, skal du skylle dem med rent vand og opsøge læge med det samme.** Det kan muligvis resultere i tab af synet.
5. **Kortslut ikke batteripatronen:**
 - (1) Rør ikke ved terminalerne med noget ledende materiale.
 - (2) Undgå at opbevare batteripatronen i en beholder med andre metalgenstande som fx søm, mønter osv.
 - (3) Udsæt ikke batteripatron for vand eller regn.

En batterikortslutning kan forårsage en stor strømudladning, overophedning, mulige forbrændinger og endda et sammenbrud.
6. **Opbevar og anvend ikke maskinen og batteripatronen på steder, hvor temperaturen muligvis når op på eller overstiger 50 °C (122 °F).**
7. **Afbrænd ikke batteripatronen, selv hvis den er alvorligt beskadiget eller fuldstændig udslett.** Batteripatronen kan eksplodere i en brand.
8. **Slå ikke søm i, skær ikke i, knus, kast, tab ikke batteripatronen eller stød ikke batteripatronen hårdt mod en hård genstand.** Sådan adfærd kan muligvis resultere i en brand, overdreven varme eller eksplosion.
9. **Brug ikke et beskadiget batteri.**
10. **De indeholdte lithium-ion-batterier er underlagt krav i lovgivningen vedrørende farligt gods.**

For kommercielle transportere, fx af tredjeparter og speditører, skal særlige krav om indpakning og afmærkning overholdes.

For klargøring af det emne, som skal afsendes, kræves det, at der opsøges en ekspert i farligt materiale. Overhold venligst også eventuelle mere detaljerede nationale bestemmelser.

Tape til eller afdæk åbne kontakter og pak batteriet ind på en sådan måde, at det ikke kan flytte sig rundt i indpakningen.
11. **Når batteripatronen bortskaffes, skal du fjerne den fra maskinen og bortskaffe den på et sikkert sted. Følg dine lokale bestemmelser relateret til bortskaffelse af batteri.**
12. **Brug kun batterierne med de produkter, som er specificeret af Makita.** Installering af batterierne i ikke-kompatible produkter kan muligvis resultere i en brand, overdreven varme, eksplosion eller lækage af elektrolyt.
13. **Hvis maskinen ikke anvendes i en længere tidsperiode, skal batteriet fjernes fra maskinen.**
14. **Under og efter brug kan batteripatronen muligvis blive varm, hvilket kan forårsage forbrændinger eller forbrændinger ved lav temperatur. Vær opmærksom på håndtering af varme batteripatroner.**
15. **Rør ikke ved terminalen på maskinen straks efter brug, da den muligvis bliver varm nok til at forårsage forbrændinger.**
16. **Lad ikke spåner, støv eller jord sidde fast inde i terminaler, huller og riller på batteripatronen.** Det kan forårsage opvarmning, at den går i brand, brud og funktionsfejl på maskinen eller batteripatronen, resulterende i forbrændinger eller personskade.
17. **Medmindre maskinen understøtter brug i nærheden af højspændingsledninger, skal du ikke bruge batteripatronen i nærheden af højspændingsledninger.** Dette kan muligvis resultere i en funktionsfejl eller sammenbrud af maskinen eller batteripatronen.

18. Hold batteriet væk fra børn.

GEM DISSE INSTRUKTIONER.

⚠FORSIGTIG:

• **Brug kun originale Makita-batterier.**

Brug af uoriginale Makita-batterier, eller batterier, som er blevet ændret, kan muligvis resultere i brud på batteriet, hvilket forårsager brande, personskade og skade. Det vil også ugyldiggøre Makita-garantien for Makita-maskinen og -opladeren.

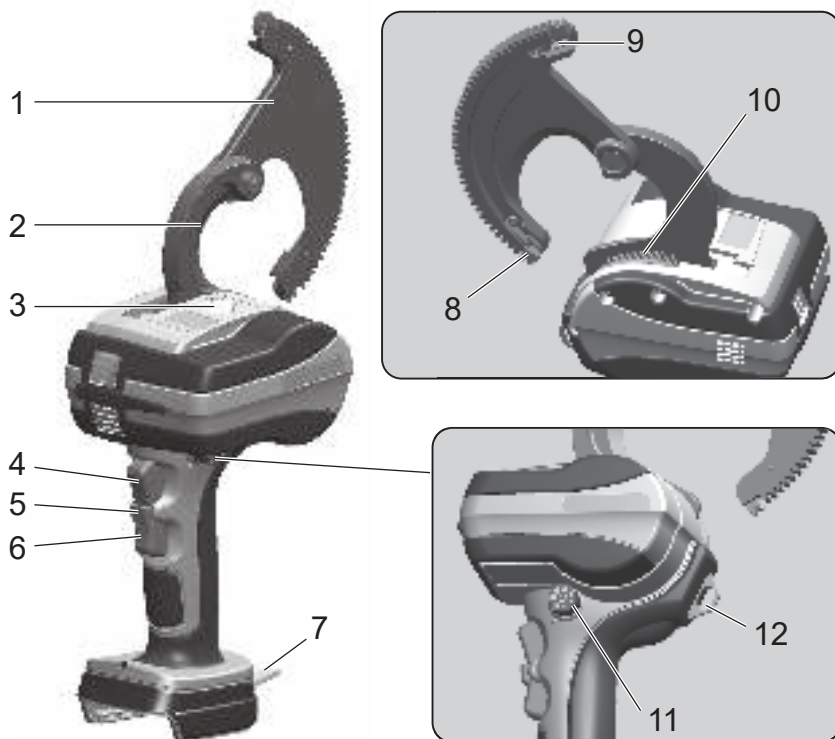
Tips til bevaring af maksimal batterilevetid

1. **Oplad batteripatronen, inden den er helt afladet. Stop altid betjening af maskinen og oplad batteripatronen, når du bemærker, at der er mindre maskinkraft.**
2. **Genoplad aldrig en fuldt opladet batteripatron. Overopladning forkorter batteriets levetid.**
3. **Oplad batteripatronen med rumtemperatur ved 10°C - 40°C (50°F - 104°F). Lad en varm batteripatron køle ned, før du oplader den.**
4. **Når du ikke anvender batteripatronen, skal du fjerne den fra maskinen eller opladeren.**
5. **Oplad batteripatronen, hvis du ikke anvender den i en lang periode (mere end seks måneder).**

Navne og tilbehør

DTC100

Batteridreven kabelsaks



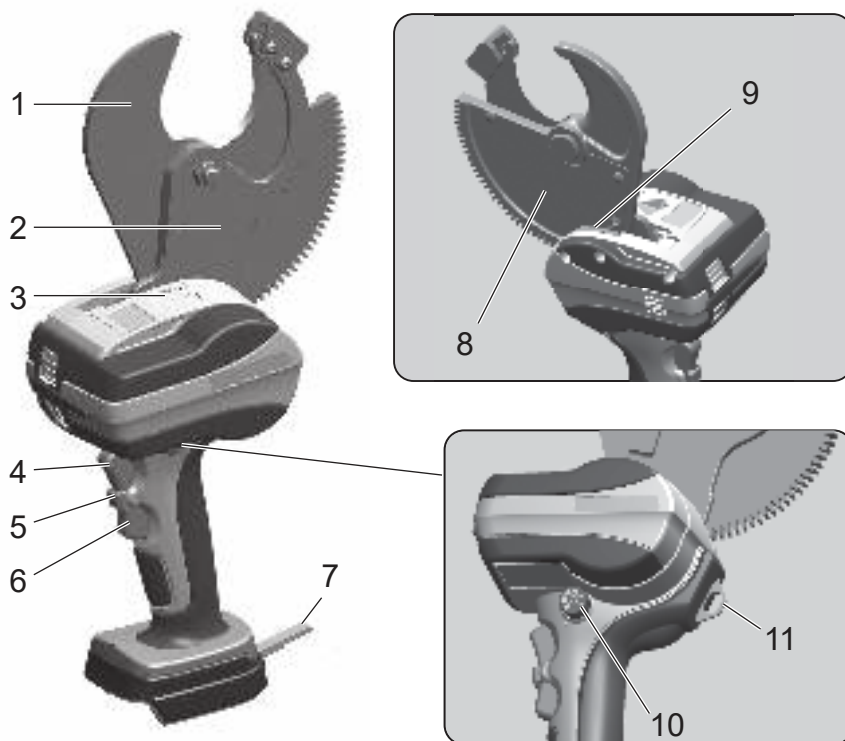
Transportkasse



* Denne maskine er beregnet til Makita 18V lithium-ion-batteriet.

1	Bevægelig klinge	7	Ophængningsstrop
2	Stationær klinge	8	Gearskinne (A)
3	LED-arbejdslampe	9	Gearskinne (B)
4	Kontakt for fremadtilstand	10	Børste (til afstøvning)
5	Kontaktlås	11	Drejeknap
6	Kontakt for baglænstilstand	12	Ophængningsring

Batteridreven kablesaks



Transportkasse



* Denne maskine er beregnet til Makita 18V lithium-ion-batteriet.

1	Bevægelig klinge	7	Ophængningsstrop
2	Stationær klinge	8	Bevægelig klingeplade
3	LED-arbejdslampe	9	Børste (til afstøvning)
4	Kontakt for fremadtilstand	10	Drejeknap
5	Kontaktlås	11	Ophængningsring
6	Kontakt for baglænstilstand	—	—

Batteri

Batteri

- På købstidspunktet er batteribeskyttelsesfunktionen muligvis aktiveret, da batteriet ikke er blevet opladet tilstrækkeligt. (Vær forsigtig, da dette produkt muligvis starter betjening, hvis du betjener kontakten.) Foretag korrekt opladning af batteriet med hurtigopladeren inden brug.
- Monter batteridækslet, når du ikke anvender produktet. Det vil hjælpe med at beskytte batteriet mod vand og støv.
- Når du ikke anvender produktet i en lang periode, skal du opbevare det med batteriet afmonteret.

For at forlænge levetiden for batteriet

- Når du fornemmer at maskinens kraft er blevet svag, skal du stoppe anvendelse og oplade batteriet.
- Genoplad ikke et batteri, som er fuldt opladet.
- Oplad batteriet i et omgivende temperaturområde på 10 °C til 40 °C.
- Når batteriet er blevet varmt, som fx straks efter brug, anbefaler vi, at du sætter det ind i opladeren for at køle ned og oplade det.
- Når et lithium-ion-batteri ikke skal anvendes i en langtidperiode (mindst 6 måneder), anbefaler vi, at det oplades og derefter opbevares.

Batteriindsamling

- Brugte batterier indsamles til genbrug. Bring venligst batteriet hen til den butik, hvor du anskaffede produktet eller et Makita-salgskontor.



Li-ion

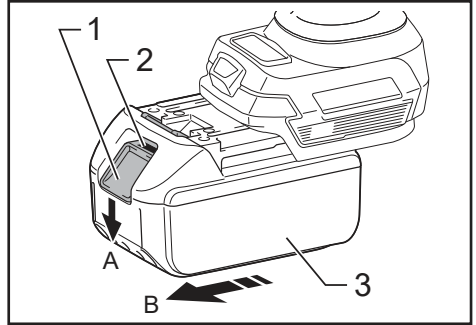
Aflever lithium-ion-batteriet til genbrug

Sådan monteres og afmonteres batteriet

⚠ ADVARSEL:

Sæt batteriet korrekt ind i produktet. Hvis den røde del i toppen af knappen er synlig, er batteriet ikke låst helt på plads. Sæt batteriet ordentlig ind, indtil hele den røde del ikke kan ses.

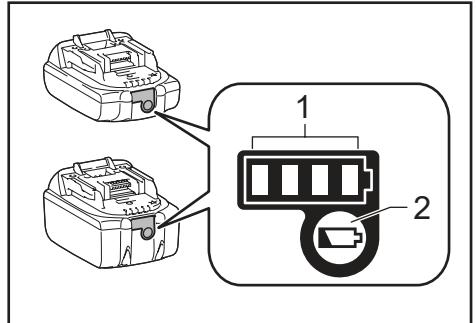
- Hvis batteriet ikke sættes tilstrækkeligt ind, kan det løse sig og forårsage en ulykke.
- For at afmontere batteriet fra dette produkt skal du, A. holde ned på knappen foran på batteriet og B. skubbe batteriet for at fjerne det.
- Når batteriet monteres, skal du rette batteriet ind med rillerne i produktet og derefter sætte det helt ind ved at udføre proceduren i omvendt rækkefølge. Hvis den røde del i toppen af knappen er synlig på dette tidspunkt, er batteriet ikke låst helt på plads. Sæt batteriet helt ind, indtil hele den røde del ikke kan ses.



► 1. Knap 2. Rød del 3. Batteri

Indikering af den resterende batterikapacitet

Kun for batteripatroner med en indikator



► 1. Indikatorlamper 2. Kontrolknap

Tryk på kontrolknappen på batteripatronen for at indikere den resterende batterikapacitet. Indikatorlamperne lyser i nogle få sekunder.

Indikatorlamper			Resterende kapacitet
Tændt	Slukket	Blinker	
■ ■ ■ ■			75 % til 100 %
■ ■ ■ □			50 % til 75 %
■ ■ □ □			25 % til 50 %
■ □ □ □			0 % til 25 %
▬ □ □ □			Oplad batteriet.
■ ■ □ □			Batteriet har muligvis fejlet.
□ □ ■ ■			

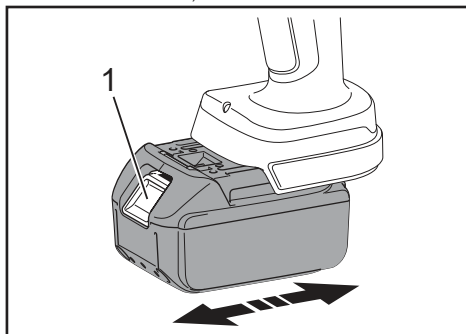
BEMÆRK: Afhængigt af forholdene for brug og den omgivende temperatur kan indikeringen muligvis afvige en smule fra den egentlige kapacitet.

BEMÆRK: Den første (længst til venstre) indikatorlampe vil blinke, når batteribeskyttelsessystemet fungerer.

Sådan anvendes maskinen

Montering af batteripakken

1. Træk batteripakken ud, mens du trykker på låsemekanismen. For at udskifte batteripakken skal du trykke den nye pakke ordentligt ind på plads.
2. Efter en batteripakke er skubbet på, skal du kontrollere om den sidder ordentligt på plads ved at trække forsigtigt i den. Tryk ikke på låsemekanismen, når du trækker i batteriet.

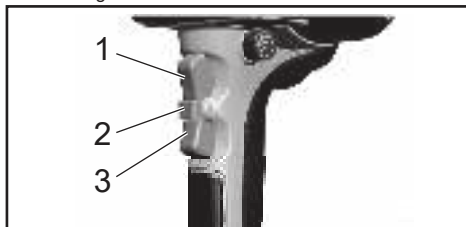


► 1. Låsemekanisme

Kontaktbetjeninger

Af sikkerhedshensyn har maskinen et to-handlings-kontaktsystem.

For at aktivere kontakt for fremadtilstand (skæring) og tilbagelænstilstand (baglæns) skal du først trykke på kontaktlåsen, og derefter trykke på kontakten for fremad-/baglænstilstand.



► 1. Kontakt for fremadtilstand 2. Kontaktlås
3. Kontakt for baglænstilstand

LED-lampe til hjælp under arbejde

Denne maskine har en LED-lampe, som oplyser periferien af saksens klinge. Den lyser, når enten kontakten for fremad eller baglæns er tændt, og slukker derefter ca. 10 sekunder efter kontakten er sluppet.

⚠ FORSIGTIG:

- Kig ikke direkte ind i LED-lampen. Kigger du på LED-lampen i en længere tidsperiode, kan det skade dine øjne.

Alarm for lavt batteri

Hvis den resterende kapacitet af batteriet er lav, blinker LED-lampen 5 gange som en alarm, når kontakten for fremadtilstand slås til. Oplad batteriet eller udskift med et reservebatteri.

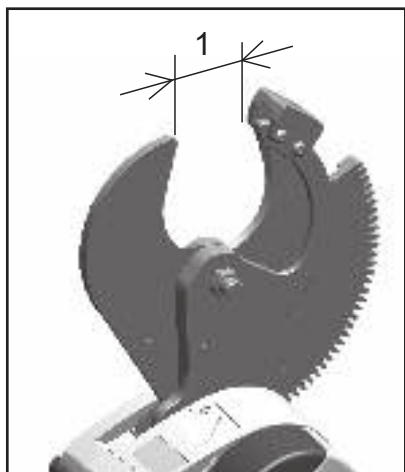
Skærebetjeninger

1. [DTC100]
Aktiver kontakten for at åbne den bevægelige klinge.

Brug kontakterne for fremad- og baglænstilstand til at indstille den bevægelige klinge til neutral.



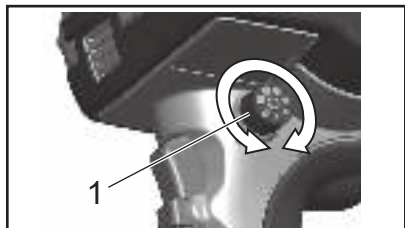
1. [DTC101]
Sikr dig, at åbningen er tilstrækkelig.
Sikr dig, at åbningen er stor nok til at indføre et kabel. Hvis åbningen er for smal, skal du trykke på kontakten for baglænstilstand for at åbne den.



► 1. Åbning

2. Brug af drejeknappen til at aktivere eller deaktivere automatisk baglæns

Flyt drejeknappen til den ønskede position for at aktivere automatisk baglæns eller flyt den til sluk for at deaktivere.

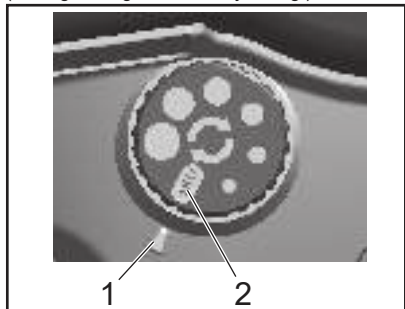


► 1. Drejeknap

Funktionen automatisk baglæns

Når automatisk baglæns aktiveres, bremser motoren efter skæring af et kabel. Når først kontakten for fremadtilstand slippes, returnerer den bevægelige klinge automatisk som indstillet med drejeknappen.

Åbningen kan justeres mellem 6 niveauer. (Åbningsmængden er en vejledning.)



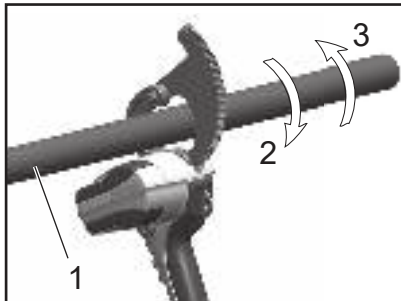
► 1. Åbningsmængde 2. Slukket

⚠FORSIGTIG:

- Automatisk baglæns aktiveres ikke, hvis kontakten for fremadtilstand slippes, inden skæring er gennemført.
- Automatisk baglæns aktiveres ikke med små elkabler på 60 mm² eller mindre.
- Åbningsdiametere kan variere afhængigt af den resterende batterispænding.

3. [DTC100]
Indsættelse af elkabel i den bevægelige klingeåbning

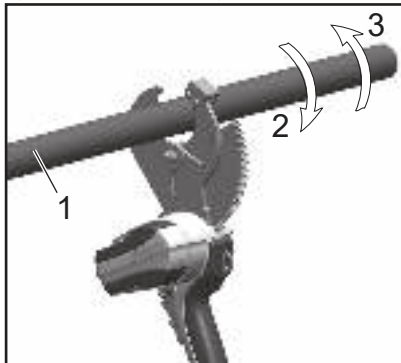
Placer det kabel, som skal skæres, på den stationære klinge, og luk den bevægelige klinge omkring kablet. Fremfør den bevægelige klinge med hånden, så geartænderne griber ind i enhedens drivmekanisme.



► 1. Kabel 2. Skæringsrotation
3. Baglænsrotation

3. [DTC101]
Indsættelse af elkabel i den bevægelige klingeåbning

Placer det kabel, som skal skæres, i klingeåbningen og på den stationære klingside.



► 1. Kabel 2. Skæringsrotation
3. Baglænsrotation

4. Betjening af kontakten for fremadtilstand og skæring af elkabel

Hold ned på kontakten for fremadtilstand, indtil skæring er fuldført.

5. Fjernelse af affald efter skæring.

Efter du er færdig med at skære, skal du fjerne eventuelle rester eller affald på klingen.

⚠FORSIGTIG:

• **Længerevarende betjening**

For at beskytte motoren skal du stoppe med at anvende maskinen, når området omkring advarselmærket bliver varmt. For at fortsætte med at anvende maskinen skal du placere maskinen i 50 minutter på et køligt og godt ventileret sted, indtil den køler af.

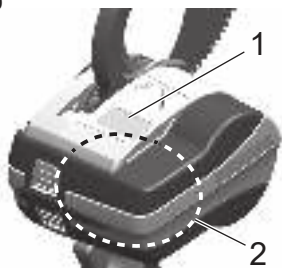
• **Beskyttelsen for overstrøm/overbelastning kan også blive aktiveret, selv når du betjener maskinen inden for skærekapaciteten.**

Driftstemperaturen, kabellængde, bøjning og andre faktorer påvirker maskinens ydelse.

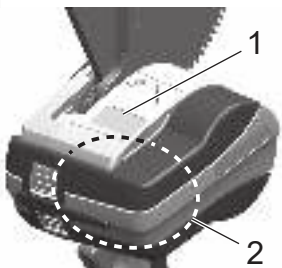
• **Hvis LED-lampen blinker 6 gange eller mere, er det en visning for kredsløbskortfej.**

Kontakt venligst din forhandler.

DTC100



DTC101



- ▶ 1. Advarselmærkat
- 2. Område for høj varme-advarsel

⚠FORSIGTIG:

- **DTC100 og DTC101 er kun til kobber- og aluminiumskabler. Brug ikke disse maskiner til stål, ACSR eller andre stålmaterialer.**

Beskyttelsesfunktionen mod overstrøm

Hvis der opstår overstrøm pga. skæring af kabel uden for specifikationen, aktiveres beskyttelsesfunktionen mod overstrøm og stopper motoren. For at gendanne funktionen skal du slippe kontakten for fremadtilstand.

Udskiftning med reservedele (DTC100)

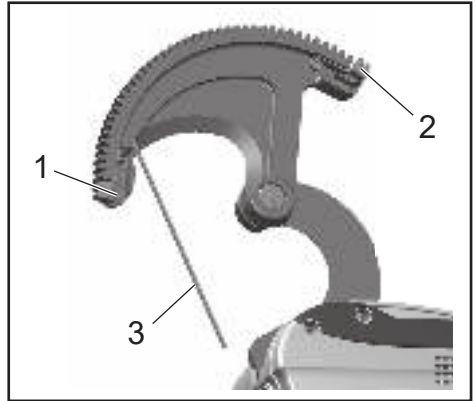
Følg proceduren nedenfor for selv at udskifte gearskinnen.

⚠ FORSIGTIG:

- Sørg for at fjerne batteripakken fra hovedenheden, inden du udskifter gearskinnen.
- Hvis gearskinnen beskadiges eller afgiver en unormal lyd, skal den straks udskiftes. Forsætter du med at anvende produktet med en beskadiget gearskinne, kan det forårsage beskadigelse af de interne gear.

Udskiftning af gearskinnen

1. Afmontering af gearskinnen
Brug en unbrakonøgle til at skrue boltene med det sekskantede hul (M3 × 3) ud og fjerne gearskinnen.
2. Montering af gearskinnen
Monter den nye gearskinne og stram boltene ordentligt.



- 1. Gearskinne (A) 2. Gearskinne (B)
3. Unbrakonøgle

Udskiftning med reservedele (DTC101)

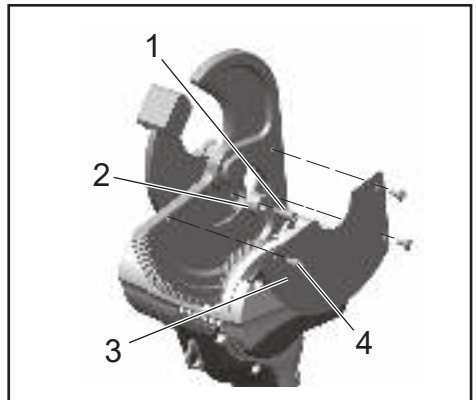
Følg proceduren nedenfor for selv at udskifte stopperen.

⚠ FORSIGTIG:

- Sørg for at fjerne batteripakken fra hovedenheden, inden du udskifter stopperen.

Udskiftning af stopperen

1. Fjern de rundhovedede stjerneskruer, pladen og skulderbolt (37), og tag derefter stopperen af.
2. Monter den nye stopper med skulderbolt, påfør skruelåseklæbemiddel til skruen, og stram derefter helt til.
3. Monter pladen og skruen i de rundhovedede stjerneskruer.

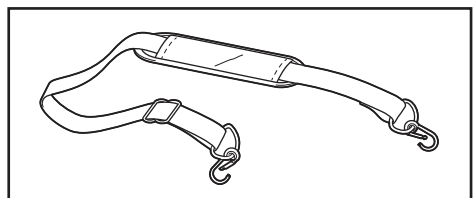


- 1. Skulderbolt (37) 2. Stopper 3. Plade
4. Rundhovedede stjerneskruer

Valgfrit ekstraudstyr

• Skulderrem (161347-8)

Denne skulderstrop anvendes ved at tilslutte ophængningsstroppen på denne maskine.



Vedligeholdelse/eftersyn

- Vær opmærksom på, at forsømmelse af daglig vedligeholdelse/eftersyn muligvis kan forårsage en funktionsfejl på maskinen.
- Undgå at opbevare maskinen i et fugtigt miljø for effektiv funktion af maskinen og til forhindring af rust.
- Hvis maskinen beskadiges under normal anvendelse (10.000 betjeninge eller mere, 1.000 skæringer eller mere), skal du ikke blot genoptage betjening efter udskiftning af den beskadigede del alene, eftersom den har nået enden på dens levetid.
- Når en resindel bliver beskidt, skal du anvende en blød klud fugtet med sæbevand til at tørre den af med.
- Når batteripakken opbevares alene, skal du sørge for at sætte tilbehørsterminaldækslet på terminalen for at forhindre kortslutning.
- Vi anbefaler, at maskinen indleveres til producenten til sikkerhedseftersyn ca. én gang hvert andet år (mod gebyr). Kontakt din forhandler angående detaljer.

Specifikationer

Batteridreven kablesaks	DTC100	DTC101
Maksimal diameter, som kan skæres	Kun ikke-jernholdige materialer (AL eller Cu) ø50 mm (Cu-streng ø30 mm / Al-streng ø38 mm)	
Elmotor	Jævnstrømsmotor	
Mål	117 (D) × 320 (H) × 197 (B) (mm)	117 (D) × 380 (H) × 189 (B) (mm)
Vægt	2,2 kg	2,9 kg

⚠FORSIGTIG:

- DTC100 og DTC101 er kun til kobber- og aluminiumskabler. Brug ikke disse maskiner til stål, ACSR eller andre stålmateriale.

Konformitetserklæringer

Kun for europæiske lande

Konformitetserklæringerne er inkluderet i tillæg A til denne instruktionsvejledning.

⚠️ ΠΡΟΕΙΔΟΠΟΙΗΣΗ: Διαβάστε και κατανοήστε όλες τις οδηγίες και τις πληροφορίες ασφάλειας στο παρόν οδηγό και οδηγίες χειριστή. Η χρήση για εφαρμογές που δεν ενδείκνυται μπορεί να οδηγήσει σε σοβαρό τραυματισμό ή θάνατο.

- Ευχαριστούμε που αγοράσατε τον φορητό κόπτη καλωδίων.
- Διαβάστε το παρόν εγχειρίδιο οδηγιών εξ ολοκλήρου και προσεκτικά προτού επιχειρήσετε να χρησιμοποιήσετε τον εξοπλισμό. Αφού διαβάσετε το παρόν εγχειρίδιο οδηγιών, φυλάξτε το σε μια τοποθεσία με εύκολη πρόσβαση.
- Περιγραφή
Οι μηχανικοί κόπτες είναι κόπτες που λειτουργούν με μπαταρία, σχεδιασμένοι να κόβουν καλώδια που χρησιμοποιούνται στη βιομηχανία σήμερα.

Προφυλάξεις για την ασφάλεια

⚠️ ΠΡΟΕΙΔΟΠΟΙΗΣΗ: Διαβάστε όλες τις προειδοποιήσεις για την ασφάλεια και όλες τις οδηγίες. Η μη τήρηση των προειδοποιήσεων και οδηγιών μπορεί να οδηγήσει σε ηλεκτροπληξία, φωτιά ή/και σοβαρό τραυματισμό.

Φυλάξτε όλες τις προειδοποιήσεις και οδηγίες για μελλοντική αναφορά.

⚠️ ΠΡΟΕΙΔΟΠΟΙΗΣΗ: Η κακή χρήση αυτού του προϊόντος μπορεί να οδηγήσει στον θάνατο ή στον σοβαρό τραυματισμό του χρήστη.

1) Ασφάλεια στον χώρο εργασίας

- a) Να διατηρείτε τον χώρο εργασίας καθαρό και καλά φωτισμένο. Σε ακατάστατους ή σκοτεινούς χώρους προκαλούνται ατυχήματα.
- b) Μην θέτετε τα ηλεκτρικά εργαλεία σε λειτουργία σε εκρηκτικές ατμόσφαιρες, όπως παρουσία εύφλεκτων υγρών, αερίων ή σκόνης. Τα ηλεκτρικά εργαλεία δημιουργούν σπινθήρες που μπορεί να προκαλέσουν ανάφλεξη της σκόνης ή των αναθυμιάσεων.
- c) Απομακρύνετε τα παιδιά και τους μη έχοντες εργασία όταν χειρίζεστε ένα ηλεκτρικό εργαλείο. Αν αποσπαστεί η προσοχή σας, μπορεί να χάσετε τον έλεγχο.

2) Ηλεκτρική ασφάλεια

- a) Τα φως του ηλεκτρικού εργαλείου πρέπει να ταιριάζουν στην πρίζα. Μην τροποποιείτε ποτέ το φως με οποιονδήποτε τρόπο. Μην χρησιμοποιείτε προσαρμογείς σε γειωμένα ηλεκτρικά εργαλεία. Τα φως που δεν έχουν τροποποιηθεί και οι πρίζες που ταιριάζουν στα φως μειώνουν το κίνδυνο πρόκλησης ηλεκτροπληξίας.
- b) Αποφεύγετε την επαφή του σώματος με γειωμένες επιφάνειες, όπως σωλήνες, καλοριφέρ, φούρνους και υγεία. Υπάρχει αυξημένος κίνδυνος πρόκλησης ηλεκτροπληξίας αν το σώμα σας είναι γειωμένο.

- c) Μην εκθέτετε τα ηλεκτρικά εργαλεία στη βροχή ή σε υγρές συνθήκες. Αν εισέλθει νερό σε κάποιο ηλεκτρικό εργαλείο, αυξάνεται ο κίνδυνος ηλεκτροπληξίας.
- d) Μην χειρίζεστε λανθασμένα το ηλεκτρικό καλώδιο. Μην χρησιμοποιείτε ποτέ το ηλεκτρικό καλώδιο για να μεταφέρετε ή να τραβήξετε το ηλεκτρικό εργαλείο, αλλά ούτε για να βγάλετε το φως του ηλεκτρικού εργαλείου από την πρίζα.
Να διατηρείτε το ηλεκτρικό καλώδιο μακριά από θερμότητα, λάδι, αιχμηρές ακμές και κινούμενα μέρη. Τα ηλεκτρικά καλώδια που έχουν υποστεί ζημιά και τα μπλεγμένα ηλεκτρικά καλώδια αυξάνουν τον κίνδυνο ηλεκτροπληξίας.
- e) Όταν χειρίζεστε κάποιο ηλεκτρικό εργαλείο σε εξωτερικούς χώρους, να χρησιμοποιείτε προέκταση ηλεκτρικού καλωδίου (μπαλαντζάι) κατάλληλη για εξωτερική χρήση. Αν χρησιμοποιείτε ηλεκτρικό καλώδιο κατάλληλο για εξωτερική χρήση, μειώνεται ο κίνδυνος ηλεκτροπληξίας.
- f) Αν δεν είναι δυνατό να αποφευχθεί η λειτουργία ενός ηλεκτρικού εργαλείου σε μέρος με υγρασία, χρησιμοποιήστε ηλεκτρική παροχή που προστατεύεται από συσκευή παραμένοντος ρεύματος (RCD). Η χρήση RCD μειώνει τον κίνδυνο ηλεκτροπληξίας.

3) Προσωπική ασφάλεια

- a) Όταν χειρίζεστε κάποιο ηλεκτρικό εργαλείο, να είσαστε σε ετοιμότητα, να προσέχετε τι κάνετε και να χρησιμοποιείτε κοινή λογική.
Μην χειρίζεστε κάποιο ηλεκτρικό εργαλείο όταν είσαστε κουρασμένοι ούτε όταν βρίσκεστε κάτω από την επίρροια ναρκωτικών ουσιών, αλκοόλ ή φαρμάκων. Μια στιγμή απροσεξίας κατά τη διάρκεια χειρισμού των ηλεκτρικών εργαλείων μπορεί να προκαλέσει σοβαρό προσωπικό τραυματισμό.
- b) Να χρησιμοποιείτε μέσα ατομικής προστασίας. Πάντα να φοράτε προστασία ματιών. Αν χρησιμοποιείτε το σωστό προστατευτικό εξοπλισμό, όπως προσωπικά κατά της σκόνης, αντλιοθητικά παπούτσια ασφάλειας, κράνος ή προστατευτικό ακοής, ανάλογα με τις συνθήκες, θα μειωθεί ο κίνδυνος προσωπικών τραυματισμών.

- c) Να αποφεύγετε την αθέλητη ενεργοποίηση του εργαλείου. Βεβαιωθείτε ότι ο διακόπτης βρίσκεται στην ανενεργή θέση πριν συνδέετε την ηλεκτρική παροχή ή/και μπαταρία, σηκώνετε ή μεταφέρετε το εργαλείο. Αν φέρετε ηλεκτρικά εργαλεία με το δάχτυλό σας στο διακόπτη ή αν ενεργοποιείτε ηλεκτρικά εργαλεία όταν ο διακόπτης είναι στην ενεργή θέση, μπορεί να προκληθούν ατυχήματα.
- d) Να απομακρύνετε τυχόν ρυθμιζόμενο κλειδί ή γαλλικό κλειδί πριν θέσετε το ηλεκτρικό εργαλείο σε λειτουργία. Ένα κλειδί που έχει μείνει προσκολλημένο σε κάποιο περιστρεφόμενο μέρος του ηλεκτρικού εργαλείου μπορεί να προκαλέσει προσωπικό τραυματισμό.
- e) Μην τεντώνετε υπερβολικά. Κρατάτε πάντα σταθερό πάτημα και την ισορροπία σας. Έτσι, θα έχετε καλύτερο έλεγχο του ηλεκτρικού εργαλείου σε απρόσμενες καταστάσεις.
- f) Να ντύνεστε κατάλληλα. Μην φοράτε φαρδιά ρούχα ή κοσμήματα. Κρατάτε τα μαλλιά, τα ρούχα και τα γάντια σας μακριά από κινούμενα μέρη. Υπάρχει κίνδυνος να εμπλακούν τα φαρδιά ρούχα, τα κοσμήματα ή τα μακριά μαλλιά σε κινούμενα μέρη.
- g) Αν παρέχονται συσκευές για τη σύνδεση διατάξεων εξαγωγής και συλλογής σκόνης, να βεβαιώσετε ότι αυτές είναι συνδεδεμένες και χρησιμοποιούνται σωστά. Η συλλογή σκόνης μπορεί να μειώσει τον κίνδυνο που σχετίζεται με τη σκόνη.
- h) Μην αδιαφορείτε και αγνοείτε τις αρχές ασφάλειας του εργαλείου λόγω της εξοικείωσης που αποκτήσατε από τη συχνή χρήση των εργαλείων. Μια απρόσεκτη ενέργεια μπορεί να προκαλέσει σοβαρό τραυματισμό εντός κλασμάτων ενός δευτερολέπτου.
- e) Να συντηρείτε τα ηλεκτρικά εργαλεία και τα εξαρτήματα. Να ελέγχετε αν είναι ευθυγραμμισμένα σωστά τα κινούμενα μέρη, αν εμποδίζεται η ελεύθερη κίνηση τους, αν έχουν σπάει κάποια εξαρτήματα, αλλά και κάθε άλλη κατάσταση που μπορεί να επηρεάσει τη λειτουργία του ηλεκτρικού εργαλείου. Αν το ηλεκτρικό εργαλείο υποστεί ζημιά, να φροντίζετε να επισκευαστεί πριν το χρησιμοποιήσετε. Πολλά ατυχήματα προκαλούνται από ηλεκτρικά εργαλεία που δεν έχουν συντηρηθεί σωστά.
- f) Να διατηρείτε τα κοπτικά εργαλεία αιχμηρά και καθαρά. Τα κοπτικά εργαλεία με αιχμηρές ακμές που έχουν συντηρηθεί σωστά είναι λιγότερο πιθανό να εμπλακούν και πιο εύκολο να ελεγχθούν.
- g) Να χρησιμοποιείτε το ηλεκτρικό εργαλείο, τα εξαρτήματα και τις μύτες του εργαλείου, κ.λπ. σύμφωνα με αυτές τις οδηγίες, λαμβάνοντας υπόψη τις συνθήκες εργασίας και την εργασία που πρέπει να εκτελεστεί.
- h) Να χρησιμοποιείτε το ηλεκτρικό εργαλείο για λειτουργίες διαφορετικές από αυτές για τις οποίες προορίζεται, μπορεί να προκληθεί κάποια επικίνδυνη κατάσταση.
- h) Να διατηρείτε τις λαβές και τις επιφάνειες χειρολαβών στεγνές, καθαρές, χωρίς λάδι και γράσο. Οι ολισθηρές λαβές και επιφάνειες χειρολαβών δεν επιτρέπουν τον ασφαλή χειρισμό και έλεγχο του εργαλείου σε αναπάντεχες καταστάσεις.

5) Χρήση και φροντίδα του εργαλείου με μπαταρία

4) Χρήση και φροντίδα ηλεκτρικού εργαλείου

- a) Μην ασκείτε πίεση στο ηλεκτρικό εργαλείο. Να χρησιμοποιείτε το σωστό ηλεκτρικό εργαλείο για την εφαρμογή σας. Με το σωστό ηλεκτρικό εργαλείο θα πραγματοποιήσετε την εργασία καλύτερα και ασφαλέστερα, στον βαθμό για τον οποίο έχει σχεδιαστεί.
- b) Μην χρησιμοποιείτε το ηλεκτρικό εργαλείο αν ο διακόπτης δεν το ενεργοποιεί και δεν το απενεργοποιεί. Κάθε ηλεκτρικό εργαλείο που δεν μπορείτε να ελέγξετε με τον διακόπτη λειτουργίας είναι επικίνδυνο και πρέπει να επισκευαστεί.
- c) Να αποσυνδέετε το φως από την ηλεκτρική παροχή ή/και να βγάξετε την μπαταρία από το ηλεκτρικό εργαλείο πριν κάνετε οποιοσδήποτε ρυθμίσεις ή αλλαγές εξαρτημάτων και πριν αποθηκεύετε τα ηλεκτρικά εργαλεία. Τέτοια προληπτικά μέτρα ασφάλειας μειώνουν τον κίνδυνο τυχαίας ενεργοποίησης του ηλεκτρικού εργαλείου.
- d) Να αποθηκεύετε τα αδρανή ηλεκτρικά εργαλεία μακριά από παιδιά και να μην αφήνετε άτομα που δεν γνωρίζουν το ηλεκτρικό εργαλείο και αυτές τις οδηγίες να χειρίζονται το ηλεκτρικό εργαλείο. Τα ηλεκτρικά εργαλεία αποτελούν κίνδυνο στα χέρια ανειδίκευτων χειριστών.
- a) Να επαναφορτίζετε μόνο με τον φορτιστή που καθορίζει από τον κατασκευαστή. Ένας φορτιστής που είναι κατάλληλος για μια συγκεκριμένη κασέτα μπαταριών μπορεί να δημιουργήσει κίνδυνο φωτιάς όταν χρησιμοποιείται με μια άλλη κασέτα μπαταριών.
- b) Να χρησιμοποιείτε ηλεκτρικά εργαλεία μόνο με ειδικά καθορισμένες κασέτες μπαταριών. Η χρήση κάθε άλλης κασέτας μπαταριών μπορεί να δημιουργήσει κίνδυνο τραυματισμού ή φωτιάς.
- c) Όταν δεν χρησιμοποιείται η μπαταρία, διατηρήστε τη μακριά από άλλα μεταλλικά αντικείμενα, όπως συνδετήρες, κέρματα, κλειδιά, καρφιά, βίδες ή άλλα μικρά μεταλλικά αντικείμενα, με τα οποία μπορεί να δημιουργηθεί σύνδεση από τον έναν ακροδέκτη στον άλλον. Το βραχυκύκλωμα των ακροδεκτών της μπαταρίας μπορεί να προκαλέσει εγκαύματα ή φωτιά.
- d) Υπό συνθήκες κατάχρησης, μπορεί να εξαχθεί υγρό από την μπαταρία. Να αποφεύγετε την επαφή. Αν συμβεί επαφή κατά λάθος, εκπλύνετε με νερό. Αν το υγρό έρθει σε επαφή με τα μάτια, αναζητήστε ιατρική βοήθεια. Το υγρό που εξάγεται από την μπαταρία μπορεί να προκαλέσει ερεθισμό ή εγκαύματα.
- e) Μην χρησιμοποιείτε μια κασέτα μπαταριών ή εργαλείο που έχει καταστραφεί ή τροποποιηθεί. Οι καταστραμμένες ή τροποποιημένες μπαταρίες μπορεί να παρουσιάσουν απρόβλεπτη συμπεριφορά που έχει ως αποτέλεσμα φωτιά, έκρηξη ή κίνδυνο τραυματισμού.
- f) Μην εκθέτετε την κασέτα μπαταριών ή το εργαλείο σε πυρκαγιά ή υπερβολικά υψηλή θερμοκρασία. Η έκθεση σε πυρκαγιά ή σε θερμοκρασία άνω των 130°C μπορεί να προκαλέσει έκρηξη.

- g) Ακολουθήστε όλες τις οδηγίες φόρτισης και μην φορτίσετε την κασέτα μπαταριών ή το εργαλείο εκτός του θερμοκρασιακού εύρους που καθορίζεται στις οδηγίες. Η λανθασμένη φόρτιση ή η φόρτιση σε θερμοκρασίες εκτός του καθορισμένου εύρους μπορεί να προκαλέσει ζημιά στην μπαταρία και να αυξήσει τον κίνδυνο φωτιάς.

6) Σέρβις

- a) Να φροντίζετε το σέρβις του ηλεκτρικού εργαλείου σας να γίνεται από αρμόδιο επαγγελματία χρησιμοποιώντας μόνο γνήσια ανταλλακτικά. Έτσι θα είστε σίγουροι για τη διατήρηση της ασφάλειας του ηλεκτρικού εργαλείου.
- b) Μην εκτελείτε ποτέ εργασίες σέρβις σε κατεστραμμένες κασέτες μπαταριών. Οι εργασίες σέρβις των κασετών μπαταριών θα πρέπει να εκτελούνται μόνο από τον κατασκευαστή ή από εξουσιοδοτημένους παρόχους σέρβις.

Να κρατάτε το ηλεκτρικό εργαλείο από τις λαβές με μόνωση όταν εκτελείτε εργασίες κατά τις οποίες ο σύνδεσμος μπορεί να έρθει σε επαφή με κρυμμένα καλώδια. Αν ο σύνδεσμος έρθει σε επαφή με κάποιο ηλεκτροφόρο καλώδιο, μπορεί τα εκτεθειμένα μεταλλικά μέρη του ηλεκτρικού εργαλείου να γίνουν κι αυτά ηλεκτροφόρα και να προκληθεί ηλεκτροπληξία στον χειριστή.

Χρησιμοποιήστε γνήσιο φορτιστή μπαταριών και κασέτα μπαταριών της Makita.

- Χρησιμοποιείτε γνήσια κασέτα μπαταριών που προορίζεται για αυτό το εργαλείο.
- Μην φορτίζετε την κασέτα μπαταριών με άλλο φορτιστή μπαταριών. Αν δεν τηρήσετε αυτόν τον κανόνα, μπορεί να προκληθεί ρήξη, η οποία μπορεί να οδηγήσει σε ατύχημα ή τραυματισμό.

Να φορτίζετε την κασέτα μπαταριών με τον σωστό τρόπο.

- Για να συνδέσετε τον φορτιστή μπαταριών που παρέχεται με αυτό το προϊόν, χρησιμοποιήστε ηλεκτρική παροχή με ένδειξη ονομαστικής ισχύος.
- Μην χρησιμοποιείτε ηλεκτρική παροχή συνεχούς ρεύματος ή ηλεκτρική γεννήτρια με κινητήρα για να φορτίσετε την κασέτα μπαταριών. Αν δεν τηρήσετε αυτόν τον κανόνα, μπορεί να παραχθεί υπερβολική θερμότητα, η οποία μπορεί να οδηγήσει σε φωτιά.
- Όταν η θερμοκρασία του περιβάλλοντος, της κασέτας μπαταριών ή του φορτιστή μπαταριών είναι μικρότερη από 0°C ή μεγαλύτερη από 40°C, μην φορτίζετε την κασέτα μπαταριών. Αν δεν τηρήσετε αυτόν τον κανόνα, μπορεί να προκληθεί ρήξη ή φωτιά.
- Κατά τη φόρτιση της κασέτας μπαταριών, επιλέξτε ένα καλά αεριζόμενο μέρος για φόρτιση.
- Μην καλύπτετε την κασέτα μπαταριών με πανί κατά τη φόρτιση. Αν δεν τηρήσετε αυτόν τον κανόνα, μπορεί να προκληθεί ρήξη ή φωτιά.
- Φροντίστε να αποσυνδέσετε το ηλεκτρικό φως μετά τη φόρτιση.
Αν δεν τηρήσετε αυτόν τον κανόνα, μπορεί να προκληθεί ηλεκτροπληξία ή φωτιά.

Κατά τη χρήση του, μην στρέψετε τον κόφτη προς άτομα.

- Αν δεν τηρήσετε αυτόν τον κανόνα, μπορεί να προκληθεί τραυματισμός.

Μην βραχυκυκλώνετε τους ακροδέκτες στην κασέτα μπαταριών.

- Όταν η κασέτα μπαταριών αποθηκεύεται μόνη της, βεβαιωθείτε να τοποθετήσετε το κάλυμμα ακροδέκτη στον ακροδέκτη για να αποφύγετε βραχυκύκλωμα. Βεβαιωθείτε ότι οι ακροδέκτες μπαταρίας δεν θα βραχυκυκλωθούν από άλλα μεταλλικά μέρη, όπως βίδες, καρφιά, κ.λπ.

Μην εκθέτετε την κασέτα μπαταριών σε φλόγες.

- Αν δεν τηρήσετε αυτόν τον κανόνα, μπορεί να προκληθεί ρήξη ή διαρροή επικίνδυνου υλικού.

Μην χρησιμοποιείτε σε εξαρτήματα με ηλεκτρισμό.

- Το εργαλείο δεν είναι μονωμένο. Η χρήση σε ηλεκτροφόρες τοποθεσίες μπορεί να προκαλέσει ηλεκτροπληξία.
- Μην αγγίζετε το ηλεκτρικό φως ή την κασέτα μπαταριών με βρεγμένα χέρια. Αν δεν τηρήσετε αυτόν τον κανόνα, μπορεί να προκληθεί ηλεκτροπληξία.

Αφαιρέστε την κασέτα μπαταριών από το κύριο σώμα του εργαλείου στις ακόλουθες περιπτώσεις.

- Όταν δεν το χρησιμοποιείτε ή όταν επισκευάζεται
- Κατά την αντικατάσταση ανταλλακτικών
- Άλλες φορές που υπάρχει υποψία κινδύνου
Αν δεν τηρηθούν αυτές οι προειδοποιήσεις, το εργαλείο μπορεί να ενεργοποιηθεί κατά λάθος και να προκληθεί τραυματισμός.

Εκκίνηση του εργαλείου απρόσμενα.

- Βεβαιωθείτε ότι τα δάχτυλά σας είναι πολύ μακριά από τη σκανδάλη κατά τη μετακίνηση του εργαλείου. Η απροσδόκητη εκκίνηση του εργαλείου μπορεί να έχει ως αποτέλεσμα τραυματισμό.

Να χρησιμοποιείτε μόνο τα καθορισμένα εξαρτήματα.

- Μην χρησιμοποιείτε εξαρτήματα διαφορετικά από αυτά που αναφέρονται στο παρόν εγχειρίδιο οδηγιών ή στον κατάλογο μακ. Αν δεν τηρήσετε αυτόν τον κανόνα, μπορεί να προκληθεί ατύχημα ή τραυματισμός.

Να χρησιμοποιείτε μέσα προστασίας.

- Χρησιμοποιείτε γυαλιά ασφαλείας κατά τη λειτουργία. Αν η λειτουργία παράγει σκόνη, χρησιμοποιήστε προστατευτική μάσκα. Κατά την κοπή, τα μικρά κομμάτια μπορεί να διασκορπιστούν και να προκαλέσουν τραυματισμό.

Μην κοιτάτε τη λυχνία LED εργασίας.

- Μπορεί να επιδεινώσει την όραση.

Λάβετε υπόψη το περιβάλλον εργασίας.

- Μην χρησιμοποιείτε το εργαλείο, τον φορτιστή μπαταριών ή την κασέτα μπαταριών στη βροχή ή σε βρεγμένο ή υγρό μέρος. Αν δεν τηρήσετε αυτόν τον κανόνα, μπορεί να προκληθεί ηλεκτροπληξία ή καπνός.
- Διεξαγάγετε την εργασία σε ένα αρκετά φωτεινό μέρος. Η εργασία σε σκοτεινό μέρος μπορεί να προκαλέσει ατύχημα.
- Μην χρησιμοποιείτε και μην φορτίζετε την μπαταρία παρουσία εύφλεκτου υγρού ή αερίου. Αν δεν τηρήσετε αυτόν τον κανόνα, μπορεί να προκληθεί έκρηξη ή φωτιά.

Να διατηρείτε τον χώρο εργασίας πάντα καθαρό.

- Τα ακατάστατα μέρη και τα παγκάκια μπορεί να προκαλέσουν ατύχημα.

Κρατάτε τα παιδιά μακριά από το εργαλείο.

- Μην αφήνετε άλλα άτομα εκτός από τους χειριστές να αγγίζουν το εργαλείο και το ηλεκτρικό καλώδιο του φορτιστή μπαταριών. Κρατάτε τους ανθρώπους μακριά από τον χώρο εργασίας. Αν δεν τηρήσετε αυτόν τον κανόνα, μπορεί να προκληθεί τραυματισμός.

Όταν το εργαλείο δεν χρησιμοποιείται, αποθηκεύστε το σωστά.

- Αποθηκεύστε το εργαλείο σε ένα μέρος όπου η υγρασία είναι χαμηλή αλλά και που είναι αρκετά ψηλά ώστε τα παιδιά να μην μπορούν να το φτάσουν ή ένα μέρος που μπορεί να κλειδωθεί. Αν δεν τηρήσετε αυτόν τον κανόνα, μπορεί να προκληθεί ατύχημα.
- Μην αποθηκεύετε το εργαλείο ή την κασέτα μπαταριών σε ένα μέρος όπου η θερμοκρασία μπορεί να αυξηθεί στους 40°C ή περισσότερο (μέσα σε μεταλλικό κουτί, μέσα σε αυτοκίνητο το καλοκαίρι κ.λπ.). Αν δεν τηρήσετε αυτόν τον κανόνα, μπορεί να επιδεινωθεί η κασέτα μπαταριών, γεγονός που μπορεί να οδηγήσει σε καπνό ή ανάφλεξη.

Μην χρησιμοποιείτε το εργαλείο με παράλογο τρόπο.

- Διεξαγάγετε τη λειτουργία ανάλογα με την ικανότητα του εργαλείου για ασφαλή και αποδοτική λειτουργία. Η χρήση του εργαλείου πέρα από την ικανότητά του μπορεί να προκαλέσει ατύχημα.
- Μην χρησιμοποιείτε το εργαλείο με παράλογο τρόπο που προκαλεί την εμπλοκή του μοτέρ. Αν δεν τηρήσετε αυτόν τον κανόνα, μπορεί να προκληθεί καπνός ή ανάφλεξη.

Χρησιμοποιήστε ένα εργαλείο κατάλληλο για λειτουργία.

- Μην χρησιμοποιείτε τον εργαλείο για οποιαδήποτε εφαρμογή εκτός από αυτήν που καθορίζεται. Αν δεν τηρήσετε αυτόν τον κανόνα, μπορεί να προκληθεί τραυματισμός.

Διεξάγετε τη λειτουργία φορτώντας κατάλληλα ρούχα.

- Μην φοράτε φαρδιά ρούχα ή αξεσουάρ όπως κολιέ. Αυτά τα αντικείμενα μπορεί να πιαστούν σε κινούμενο μέρος, σε περιστρεφόμενο μέρος ή κάτι παρόμοιο.
- Όταν η λειτουργία πραγματοποιείται σε εξωτερικό χώρο, συνιστάται η χρήση ελαστικών γαντιών και αντιολισθητικών υποδημάτων. Τα ολισθηρά γάντια και υποδήματα μπορεί να προκαλέσουν τραυματισμό.
- Αν έχετε μακριά μαλλιά, χρησιμοποιήστε σκουφί ή κάλυμμα για να καλύψετε τα μαλλιά σας. Αν δεν τηρήσετε αυτόν τον κανόνα, μπορεί τα μαλλιά σας να πιαστούν σε κινούμενο μέρος, σε περιστρεφόμενο μέρος ή κάτι παρόμοιο.

Μην θέτετε το εργαλείο σε λειτουργία διατηρώντας αφύσικη στάση.

- Να πατάτε σωστά όλη την ώρα και να διατηρείτε την ισορροπία σας. Αν δεν τηρήσετε αυτόν τον κανόνα, μπορεί να χάσετε την ισορροπία σας και να πέσετε, γεγονός που μπορεί να οδηγήσει σε τραυματισμό.

Να είστε σε εγρήγορση όταν εργάζεστε με μεγάλη προσοχή.

- Όταν χρησιμοποιείτε το εργαλείο, να είστε προσεκτικοί όσον αφορά τη μέθοδο χειρισμού, τον τρόπο λειτουργίας και τις περιβάλλουσες συνθήκες και να διεξαγάγετε την εργασία σας προσεκτικά. Αν δεν τηρήσετε αυτόν τον κανόνα, μπορεί να προκληθεί ατύχημα ή τραυματισμός.
- Μην χρησιμοποιείτε το εργαλείο υπό την επήρεια αλκοόλ. Αν δεν τηρήσετε αυτόν τον κανόνα, μπορεί να προκληθεί ατύχημα ή τραυματισμός.
- Μην θέτετε το εργαλείο σε λειτουργία όταν είστε σε κακή φυσική κατάσταση. Αν δεν τηρήσετε αυτόν τον κανόνα, μπορεί να προκληθεί ατύχημα ή τραυματισμός.

Μην χειρίζεστε το ηλεκτρικό καλώδιο του φορτιστή μπαταριών με απότομο τρόπο.

- Μην κρατάτε τον φορτιστή από το ηλεκτρικό καλώδιο και μην τον τραβάτε για να το αποσυνδέσετε από την πρίζα.
- Να διατηρείτε το ηλεκτρικό καλώδιο μακριά από θερμότητα, λάδια και αιχμηρές ακμές.
- Βεβαιωθείτε ότι στο περιβάλλον φόρτισης δεν μπορεί κάποιος να πατήσει ή να σκοντάψει στο ηλεκτρικό καλώδιο. Αν δεν τηρήσετε αυτόν τον κανόνα, μπορεί να προκληθεί ηλεκτροπληξία ή βραχυκύκλωμα, το οποίο μπορεί να οδηγήσει σε ανάφλεξη.

Χρησιμοποιήστε καλώδιο προέκτασης με προδιαγραφές εξωτερικού χώρου.

- Αν χρησιμοποιείτε το εργαλείο σε εξωτερικό χώρο, χρησιμοποιήστε ένα καλώδιο προέκτασης από καλώδιο με χιτώνιο από σκληρό καουτσούκ.

Να διεξαγάγετε τη συντήρηση του εργαλείου προσεκτικά.

- Ακολουθήστε το εγχειρίδιο οδηγιών κατά την αντικατάσταση ανταλλακτικών. Αν δεν τηρήσετε αυτόν τον κανόνα, μπορεί να προκληθεί τραυματισμός.
- Να επιθεωρείτε το ηλεκτρικό καλώδιο του φορτιστή μπαταριών σε τακτική βάση. Αν το ηλεκτρικό καλώδιο παρουσιάζει ζημιά, απευθυνθείτε στις εξουσιοδοτημένες εγκαταστάσεις σέρβις για επισκευή. Αν δεν τηρήσετε αυτόν τον κανόνα, μπορεί να προκληθεί ηλεκτροπληξία ή βραχυκύκλωμα, το οποίο μπορεί να οδηγήσει σε ανάφλεξη.
- Αν χρησιμοποιείται καλώδιο προέκτασης, να επιθεωρείτε το ηλεκτρικό καλώδιο σε τακτική βάση. Αν το ηλεκτρικό καλώδιο είναι καταστραμμένο, αντικαταστήστε το με έναν καινούριο. Αν δεν τηρήσετε αυτόν τον κανόνα, μπορεί να προκληθεί ηλεκτροπληξία ή βραχυκύκλωμα, το οποίο μπορεί να οδηγήσει σε ανάφλεξη.
- Να διατηρείτε τη λαβή πάντα στεγνή και καθαρή και μακριά από λάδι και γράσο. Αν δεν τηρήσετε αυτόν τον κανόνα, μπορεί να προκληθεί τραυματισμός.

Να ελέγχετε τα εξαρτήματα με ζημιά.

- Βεβαιωθείτε ότι τίποτα δεν έχει υποστεί ζημιά πριν από τη χρήση. Επιβεβαιώστε ότι το εργαλείο λειτουργεί κανονικά και ότι όλα τα εξαρτήματα λειτουργούν σωστά.
- Ελέγξτε την ευθυγράμμιση των κινούμενων μερών, την ομαλή κίνηση των κινούμενων μερών, το τυχόν σπάσιμο εξαρτημάτων, τη στερέωση και οποιαδήποτε άλλη συνθήκη που ενδεχομένως να επηρεάσει τη λειτουργία του εργαλείου.

- Μην χρησιμοποιείτε φορτιστή μπαταριών του οποίου το ηλεκτρικό φως ή το ηλεκτρικό καλώδιο έχει υποστεί ζημιά ή που έπεσε και, στη συνέχεια, υπέστη ζημιά. Αν δεν τηρήσετε αυτόν τον κανόνα, μπορεί να προκληθεί ηλεκτροπληξία ή βραχυκύκλωμα, το οποίο μπορεί να οδηγήσει σε ανάφλεξη.

Αν υπέστη ζημιά, θα πρέπει να επισκευαστεί ή να αντικατασταθεί σε εξουσιοδοτημένες εγκαταστάσεις σέρβις εκτός αν δηλώνεται διαφορετικά στο παρόν εγχειρίδιο οδηγιών. Στείλτε το εργαλείο σε εξουσιοδοτημένο κέντρο σέρβις για να αντικαταστήσει τους ελαττωματικούς διακόπτες. Μην χρησιμοποιείτε το εργαλείο αν ο διακόπτης δεν το ενεργοποιεί και δεν το απενεργοποιεί. Ένα τέτοιο εργαλείο μπορεί να λειτουργήσει ασυνήθιστα, γεγονός που μπορεί να οδηγήσει σε τραυματισμό.

Απευθυνθείτε στις εξουσιοδοτημένες εγκαταστάσεις σέρβις για επισκευή.

- Μην αποσυναρμολογήσετε, μην επισκευάσετε και μην τροποποιήσετε την κύρια μονάδα, τον φορτιστή μπαταριών ή την κασέτα μπαταριών. Αν δεν τηρήσετε αυτόν τον κανόνα, μπορεί να προκληθεί ανάφλεξη ή μη φυσιολογική λειτουργία, γεγονός που μπορεί να οδηγήσει σε τραυματισμό.
- Αν το εργαλείο ζεσταθεί ή διαπιστωθεί κάποια ανωμαλία στο εργαλείο, ζητήστε επιθεώρηση ή επισκευή του εργαλείου.
- Αυτό το εργαλείο είναι κατασκευασμένο σύμφωνα με τις κατάλληλες απαιτήσεις ασφάλειας. Μην προσπαθήσετε να τροποποιήσετε αυτό το προϊόν.
- Στείλτε το εργαλείο σας για επισκευή σε εξουσιοδοτημένο κέντρο σέρβις. Οι επισκευές θα πρέπει να πραγματοποιούνται μόνο από εξουσιοδοτημένο άτομο που χρησιμοποιεί γνήσια ανταλλακτικά, διαφορετικά μπορεί να αποτελέσει σημαντικό κίνδυνο για τον χρήστη.

Προφυλάξεις κατά τη χρήση του φορητού κόπτη καλωδίων

- Όταν χρησιμοποιείτε αυτό το εργαλείο, ακολουθήστε τις οδηγίες όπως περιγράφεται στη συνέχεια:

Προφυλάξεις για το εργαλείο

- **Μην κόβετε ποτέ τίποτα πέρα από τη μέγιστη ικανότητα κοπής.**
Να είστε προσεκτικοί, επειδή αν δεν τηρήσετε αυτόν τον κανόνα, μπορεί να οδηγήσει σε βλάβη. (βλ. σελίδα 148)
- **Μην αγγίζετε την κοπτική ακμή των κινητών ή σταθερών λαμών.**
Αν δεν τηρήσετε αυτόν τον κανόνα, μπορεί να προκληθεί τραυματισμός.
- **Μην κόβετε ποτέ ηλεκτροφόρα καλώδια (ηλεκτρικά καλώδια που άγουν ηλεκτρισμό).**
- **Μην υποβάλλετε σε σταγόνες ή άλλες υπερβολικές κρούσεις.**
Η εσωτερική δομή έχει κατασκευαστεί με ακρίβεια για να γίνει συμπαγής και ελαφριά, οπότε μπορεί να μην λειτουργήσει σωστά αν υποστεί κρούση.
- **Μην χρησιμοποιείτε στη βροχή.**
Αν το κάνετε αυτό, η λάμα μπορεί να σκουριάσει και να θαμπώσει την κοπτική ακμή ή να προκληθεί ζημιά.
- **Μην κόβετε πλεονάζοντα μήκη 50 mm ή λιγότερο.**
Η κοπή πλεονάζοντων μηκών των άκρων του CCP και άλλων καλωδίων εξαιρετικά κοντά μπορεί να προκαλέσει την κοπή του εσωτερικού του καλωδίου κ.λπ.
- **Μην ασκείτε δύναμη στην κατεύθυνση κοπής.**
Να κόβετε πάντα τα υλικά ίσια. Αν δεν τηρήσετε αυτόν τον κανόνα, μπορεί να προκληθεί ζημιά στη λάμα κόπτη.
- **Κρατήστε σταθερά.**
Αν δεν τηρήσετε αυτόν τον κανόνα, μπορεί να προκληθεί τραυματισμός.
- **Βεβαιωθείτε ότι δεν βρίσκεται κανένας από κάτω σας πριν από τη χρήση σε ψηλή τοποθεσία.**
Αν δεν τηρήσετε αυτόν τον κανόνα, μπορεί να έχει ως αποτέλεσμα ατύχημα σε περίπτωση που τα υλικά ή η συσκευή πέσουν, κ.λπ.

- **Βεβαιωθείτε ότι τίποτα δεν είναι ασυνήθιστο πριν από τη χρήση.**

Οι ρωγμές ή τα σπασίματα στον κόπτη μπορεί να προκαλέσουν ζημιά στον κόπτη και να οδηγήσουν σε τραυματισμό.

- **Κάντε διαλείμματα κατά τη διάρκεια της χρήσης.**
Η παρατεταμένη κοπή χωρίς διαλείμματα διατηρεί μια αυξημένη θερμότητα στο μοτέρ, γεγονός που μπορεί να υπερθερμάνει το μοτέρ και την κασέτα μπαταριών, οδηγώντας σε ζημιά. Βεβαιωθείτε να κάνετε περιστασιακά διαλείμματα κατά τη διάρκεια της χρήσης.
- **Οι χαμηλές θερμοκρασίες περιβάλλοντος (10°C ή λιγότερο) μπορεί να προκαλέσουν σκλήρυνση του ηλεκτρικού καλωδίου, καθιστώντας δύσκολη την κοπή, ακόμη και όταν βρίσκεται εντός της ικανότητας κοπής.**
- **Καθαρίστε με αέρα κ.λπ. μετά από κάθε χρήση.**
Να προσέχετε ώστε να μην εισέρχονται κομμένα κομμάτια και άλλα θραύσματα μέσα στη μονάδα από το άνοιγμα (μονάδα κίνησης κινητής λάμας).
- **Μην κόβετε ηλεκτρικά καλώδια με σύρμα διαμέτρου 1 mm.**

Αν δεν τηρήσετε αυτόν τον κανόνα, μπορεί να οδηγήσει στο πιάσιμο της λάμας κόπτη στα ηλεκτρικά καλώδια και εμπλοκή.

Προφυλάξεις κατά τη χρήση της κασέτας μπαταριών

- Μην βραχυκυκλώνετε ποτέ τους ακροδέκτες.
- Να διατηρείτε την κασέτα μπαταριών μακριά από νερό, λάδια και οργανικούς διαλύτες.
- Μην αποσυναρμολογήσετε και μην τροποποιήσετε την κασέτα μπαταριών.
- Αν πρόκειται να απορρίψετε την κασέτα μπαταριών, μην την εκθέτετε σε φλόγες και μην την απορρίψετε στα γενικά απορρίμματα. (Πρωθυμεία την ανακύκλωση).

- Μην πετάτε και μην ρίχνετε κάτω την κασέτα μπαταριών.
- Μην αφήνετε την κασέτα μπαταριών σε μέρος όπου η θερμοκρασία είναι 40°C ή υψηλότερη για μεγάλο χρονικό διάστημα.
- Μην βραχυκυκλώνετε την μπαταρία τοποθετώντας βρομιά ή σκόνη στον ακροδέκτη, επειδή αυτό θα οδηγήσει σε δυσλειτουργία. Αν ο ακροδέκτης έχει διαβρωθεί, μην χρησιμοποιήσετε την κασέτα μπαταριών.
- Υπάρχει μια προστατευτική λειτουργία που διακόπτει την έξοδο για να παρατείνει τη διάρκεια ζωής της κασέτας μπαταριών. Το μοτέρ μπορεί να σταματήσει όταν το υπολειπόμενο επίπεδο μπαταρίας είναι χαμηλό, ακόμη και όταν ο διακόπτης λειτουργίας είναι πατημένος κατά τη διάρκεια της χρήσης αυτού του εργαλείου. Ωστόσο, το φαινόμενο αυτό δεν προκαλείται από δυσλειτουργία αλλά από την προστατευτική λειτουργία. Σε αυτή την περίπτωση, φορτίστε αμέσως την μπαταρία.

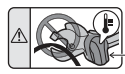
Προφυλάξεις για τον φορτιστή μπαταριών

- Αυτός ο φορτιστής μπαταριών διαθέτει μια ενδεικτική λυχνία (λυχνία LED πολλών χρωμάτων) που δείχνει την κατάσταση φόρτισης της μπαταρίας.
- Μην βραχυκυκλώνετε τον φορτιστή τοποθετώντας βρομιά ή σκόνη στην υποδοχή εισαγωγής, επειδή αυτό θα οδηγήσει σε δυσλειτουργία. Αν ο μεταλλικός ακροδέκτης έχει διαβρωθεί, μην χρησιμοποιήσετε τον φορτιστή μπαταριών.

ΣΥΜΒΟΛΑ ΠΡΟΕΙΔΟΠΟΙΗΣΗΣ



Πριν χρησιμοποιείτε το εργαλείο, διαβάστε πρώτα τις οδηγίες στο παρόν εγχειρίδιο.



Για να προστατεύσετε το μοτέρ, μην το χρησιμοποιήσετε αν η περιοχή προειδοποίησης υψηλής θερμότητας ζεσταθεί. (βλ. σελίδα 146)

Περιοχή
προειδοποίησης
υψηλής
θερμότητας



Μην αγγίζετε κατά τη λειτουργία.

Σύμβολα



Μόνο για τις χώρες της ΕΕ
Λόγω της παρουσίας των επικινδύνων συστατικών μερών στον εξοπλισμό, ο απόβλητος ηλεκτρικός και ηλεκτρονικός εξοπλισμός, οι συσσωρευτές και οι μπαταρίες μπορεί να έχουν αρνητική επίδραση στο περιβάλλον και την ανθρώπινη υγεία.

Μην απορρίπτετε τις ηλεκτρικές και ηλεκτρονικές συσκευές ή μπαταρίες μαζί με τα οικιακά απορρίμματα!

Σύμφωνα με την Ευρωπαϊκή Οδηγία για τον απόβλητο ηλεκτρικό και ηλεκτρονικό εξοπλισμό και για τους συσσωρευτές και μπαταρίες και τους απόβλητους συσσωρευτές και μπαταρίες, καθώς και την προσαρμογή τους στην εθνική νομοθεσία, ο απόβλητος ηλεκτρικός εξοπλισμός, οι μπαταρίες και οι συσσωρευτές θα πρέπει να αποθηκεύονται ξεχωριστά και να παραδίδονται σε ξεχωριστό σημείο συλλογής για δημοτικά απόβλητα, το οποίο λειτουργεί σύμφωνα με τους κανονισμούς για την προστασία του περιβάλλοντος.

Αυτό υποδεικνύεται από το σύμβολο του διαγραμμένου τροχοφόρου κάδου που βρίσκεται αναρτημένο επάνω στον εξοπλισμό.

Θόρυβος

Το τυπικό Α επίπεδο καταμετρημένου θορύβου καθορίζεται σύμφωνα με το EN62841-1:

Στάθμη ηχητικής πίεσης (K=3 dB(A)): 69,5 dB(A)

Στάθμη ηχητικής ισχύος (K=3 dB(A)): 78,1 dB(A)

ΠΑΡΑΤΗΡΗΣΗ: Η δηλωμένη τιμή(ές) εκπομπής θορύβου έχει μετρηθεί σύμφωνα με την πρότυπη μέθοδο δοκιμής και μπορεί να χρησιμοποιηθεί για τη σύγκριση ενός εργαλείου με κάποιο άλλο.

ΠΑΡΑΤΗΡΗΣΗ: Η δηλωμένη τιμή(ές) εκπομπής θορύβου μπορεί να χρησιμοποιηθεί και στην προκαταρκτική αξιολόγηση της έκθεσης.

▲ΠΡΟΕΙΔΟΠΟΙΗΣΗ: Να φοράτε ωτοασπίδες.

▲ΠΡΟΕΙΔΟΠΟΙΗΣΗ: Η εκπομπή θορύβου κατά τη χρήση του ηλεκτρικού εργαλείου σε πραγματικές συνθήκες μπορεί να διαφέρει από τη δηλωμένη τιμή(ές) ανάλογα με τους τρόπους χρήσης του εργαλείου, ιδιαίτερα το είδος του τεμαχίου εργασίας που υπόκειται επεξεργασία.

▲ΠΡΟΕΙΔΟΠΟΙΗΣΗ: Φροντίστε να λάβετε τα κατάλληλα μέτρα προστασίας του χειριστή βάσει ενός υπολογισμού της έκθεσης σε πραγματικές συνθήκες χρήσης (λαμβάνοντας υπόψη όλες τις συνιστώσες του κύκλου λειτουργίας όπως τους χρόνους που το εργαλείο είναι εκτός λειτουργίας και όταν βρίσκεται σε αδρανή λειτουργία πέραν του χρόνου ενεργοποίησης).

Κραδασμός

Η ολική τιμή δόνησης (άθροισμα τρι-αξονικού διανύσματος) καθορίζεται σύμφωνα με το EN62841-1:

Λαβή: 0,3 m/s²

Αβεβαιότητα (K): 1,5 m/s²

ΠΑΡΑΤΗΡΗΣΗ: Η δηλωμένη τιμή(ές) συνολικών κραδασμών έχει μετρηθεί σύμφωνα με την πρότυπη μέθοδο δοκιμής και μπορεί να χρησιμοποιηθεί για τη σύγκριση ενός εργαλείου με κάποιο άλλο.

ΠΑΡΑΤΗΡΗΣΗ: Η δηλωμένη τιμή(ές) συνολικών κραδασμών μπορεί να χρησιμοποιηθεί και στην προκαταρκτική αξιολόγηση της έκθεσης.

▲ΠΡΟΕΙΔΟΠΟΙΗΣΗ: Η εκπομπή κραδασμών κατά τη χρήση του ηλεκτρικού εργαλείου σε πραγματικές συνθήκες μπορεί να διαφέρει από τη δηλωμένη τιμή(ές) εκπομπής ανάλογα με τους τρόπους χρήσης του εργαλείου, ιδιαίτερα το είδος του τεμαχίου εργασίας που υπόκειται επεξεργασία.

▲ΠΡΟΕΙΔΟΠΟΙΗΣΗ: Φροντίστε να λάβετε τα κατάλληλα μέτρα προστασίας του χειριστή βάσει ενός υπολογισμού της έκθεσης σε πραγματικές συνθήκες χρήσης (λαμβάνοντας υπόψη όλες τις συνιστώσες του κύκλου λειτουργίας όπως τους χρόνους που το εργαλείο είναι εκτός λειτουργίας και όταν βρίσκεται σε αδρανή λειτουργία πέραν του χρόνου ενεργοποίησης).

Ισχύουσα κασέτα μπαταριών και φορτιστής

Κασέτα μπαταριών	BL1815N / BL1820B / BL1830B / BL1840B / BL1850B / BL1860B
Φορτιστής	DC18RC / DC18RD / DC18RE / DC18SD / DC18SE / DC18SF / DC18SH / DC18WC

- Ορισμένες από τις κασέτες μπαταριών και φορτιστές που παρατίθενται παραπάνω ίσως να μην είναι διαθέσιμοι, ανάλογα με την περιοχή κατοικίας σας.
- Για να φορτίσετε την μπαταρία, διαβάστε το εγχειρίδιο οδηγιών για τον φορτιστή μπαταριών.

⚠ ΠΡΟΕΙΔΟΠΟΙΗΣΗ: Να χρησιμοποιείτε μόνο τις κασέτες μπαταριών και τους φορτιστές που παρατίθενται ανωτέρω. Η χρήση οποιασδήποτε άλλης κασέτας μπαταριών ή φορτιστή μπορεί να προκαλέσει τραυματισμό ή/και φωτιά.

Σημαντικές οδηγίες ασφάλειας για κασέτα μπαταριών

1. Πριν χρησιμοποιήσετε την κασέτα μπαταριών, διαβάστε όλες τις οδηγίες και σημειώσεις προφύλαξης (1) στον φορτιστή μπαταριών, (2) στην μπαταρία και (3) στο προϊόν που χρησιμοποιεί την μπαταρία.
2. Μην αποσυναρμολογείτε ή παραβιάζετε την κασέτα μπαταριών. Μπορεί να έχει ως αποτέλεσμα φωτιά, υπερθέρμανση ή έκρηξη.
3. Αν ο χρόνος λειτουργίας έχει γίνει υπερβολικά σύντομος, σταματήστε αμέσως τη λειτουργία. Αλλιώς, μπορεί να έχει ως αποτέλεσμα κίνδυνο υπερθέρμανσης, πιθανά εγκαύματα ή ακόμη και έκρηξη.
4. Αν μπει στα μάτια σας ηλεκτρολύτης, ξεπλύνετε τα με καθαρό νερό και ζητήστε αμέσως ιατρική φροντίδα. Αλλιώς, μπορεί να έχει ως αποτέλεσμα απώλεια της όρασής σας.
5. Μην βραχυκυκλώνετε την κασέτα μπαταριών:
 - (1) Μην αγγίζετε τους ακροδέκτες με οποιοδήποτε αγώγιμο υλικό.
 - (2) Μην αποθηκεύετε την κασέτα μπαταριών σε δοχείο με άλλα μεταλλικά αντικείμενα, όπως καρφιά, νομίσματα, κ.λπ.
 - (3) Μην εκθέτετε την κασέτα μπαταριών σε νερό ή βροχή.Ένα βραχυκύκλωμα μπαταρίας μπορεί να προκαλέσει μεγάλη ροή ρεύματος, υπερθέρμανση, πιθανά εγκαύματα ακόμη και σοβαρή ζημιά.
6. Μην αποθηκεύετε και μην χρησιμοποιείτε το εργαλείο και την κασέτα μπαταριών σε τοποθεσίες όπου η θερμοκρασία μπορεί να φτάσει ή να ξεπεράσει τους 50°C (122°F).
7. Μην καίτε την κασέτα μπαταριών ακόμη και αν έχει σοβαρή ζημιά ή είναι εντελώς φθαρμένη. Η κασέτα μπαταριών μπορεί να εκραγεί στη φωτιά.
8. Μην καρφώσετε, μην κόψετε, μην συνθλίψετε, μην πετάξετε και μην ρίξετε κάτω την κασέτα μπαταριών, ούτε να χτυπήσετε ένα σκληρό αντικείμενο επάνω στην κασέτα μπαταριών. Τέτοια συμπεριφορά μπορεί να έχει ως αποτέλεσμα φωτιά, υπερθέρμανση ή έκρηξη.
9. Μην χρησιμοποιείτε μπαταρία που έχει υποστεί ζημιά.
10. Οι μπαταρίες ιόντων λιθίου που περιέχονται υπόκεινται στις απαιτήσεις της νομοθεσίας για επικίνδυνα αγαθά.

Για εμπορικές μεταφορές, για παράδειγμα από τρίτα μέρη, οι διαμεταφορές, πρέπει να τηρούνται, οι ειδικές απαιτήσεις στη συσκευασία και η επισήμανση.

Για προετοιμασία του στοιχείου που αποστέλλεται, είναι απαραίτητο να συμβουλευτείτε έναν ειδικό για επικίνδυνα υλικά. Επίσης, τηρήστε τους πιθανούς, πιο αναλυτικούς εθνικούς κανονισμούς.

Καλύψτε με αυτοκόλλητη ταινία ή κρύψτε τις ανοικτές επαφές και συσκευάστε την μπαταρία με τρόπο που να μην μπορεί να μετακινείται μέσα στη συσκευασία.
11. Όταν απορρίπτετε την κασέτα μπαταριών, αφαιρέστε την από το εργαλείο και διαθέστε την σε ένα ασφαλές μέρος. Τηρήστε τους τοπικούς κανονισμούς που σχετίζονται με τη διάθεση της μπαταρίας.
12. Να χρησιμοποιείτε τις μπαταρίες μόνο με τα προϊόντα που καθορίζονται από την Makita. Η τοποθέτηση μπαταριών σε μη συμβατά προϊόντα μπορεί να έχει ως αποτέλεσμα φωτιά, υπερβολική θερμότητα, έκρηξη ή διαρροή του ηλεκτρολύτη.
13. Αν δεν χρησιμοποιείτε το εργαλείο για μεγάλο χρονικό διάστημα, πρέπει να βγάλετε την μπαταρία από το εργαλείο.
14. Κατά τη διάρκεια και μετά τη χρήση, η κασέτα μπαταριών μπορεί να θερμανθεί, γεγονός που μπορεί να προκαλέσει εγκαύματα ή εγκαύματα από χαμηλή θερμοκρασία. Προσέχετε τον χειρισμό των ζεστών κασετών μπαταριών.
15. Μην αγγίζετε τον ακροδέκτη του εργαλείου αμέσως μετά τη χρήση επειδή μπορεί να έχει ζεσταθεί αρκετά για να προκαλέσει εγκαύματα.

16. Μην αφήνετε θραύσματα, σκόνη ή βρομιά να κολλήσει στους ακροδέκτες, τις οπές και τις εγκοπές της κασέτας μπαταριών. Μπορεί να προκαλέσει θέρμανση, φωτιά, έκρηξη και δυσλειτουργία του εργαλείου ή της κασέτας μπαταριών, με αποτέλεσμα εγκαύματα ή προσωπικό τραυματισμό.
17. Εκτός αν το εργαλείο υποστηρίζει τη χρήση κοντά σε ηλεκτρικές γραμμές υψηλής τάσης, μην χρησιμοποιείτε την κασέτα μπαταριών κοντά σε ηλεκτρικές γραμμές υψηλής τάσης. Μπορεί να έχει ως αποτέλεσμα δυσλειτουργία ή σπάσιμο του εργαλείου ή της κασέτας μπαταριών.
18. Φυλάξτε την μπαταρία μακριά από παιδιά.

ΦΥΛΑΞΤΕ ΑΥΤΕΣ ΤΙΣ ΟΔΗΓΙΕΣ.

⚠ ΠΡΟΣΟΧΗ:

- Να χρησιμοποιείτε μόνο γνήσιες μπαταρίες της Makita.

Η χρήση μη γνήσιων μπαταριών Makita, ή μπαταριών που έχουν τροποποιηθεί, μπορεί να έχει ως αποτέλεσμα τη ρήξη της μπαταρίας, προκαλώντας φωτιά, προσωπικό τραυματισμό και βλάβη. Επίσης, θα ακυρωθεί η εγγύηση της Makita για το εργαλείο και φορτιστή Makita.

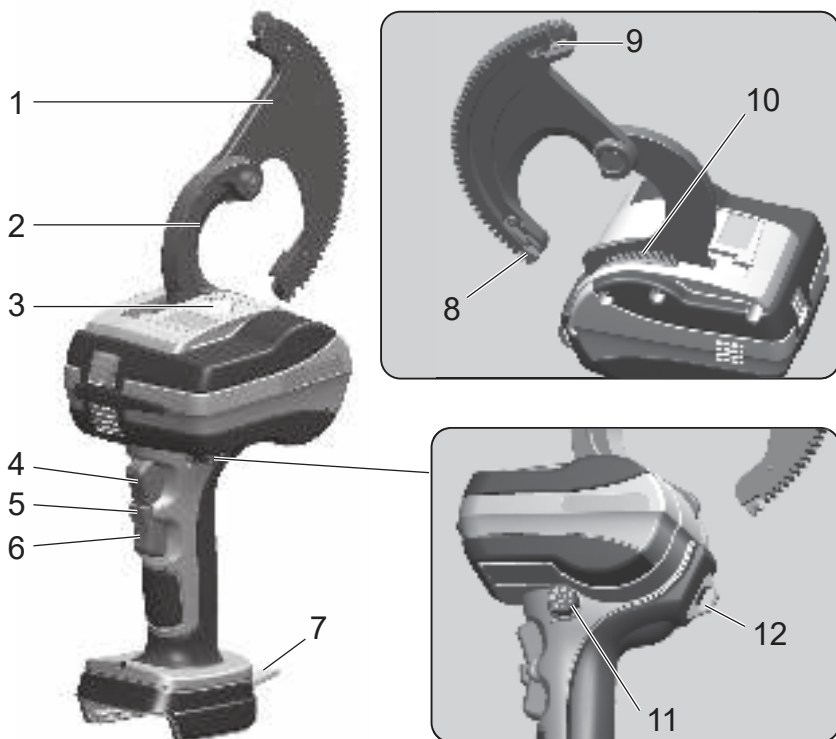
Συμβουλές για διατήρηση μέγιστης ζωής μπαταρίας

1. Φορτίζετε την κασέτα μπαταριών πριν από την πλήρη αποφόρτιση της. Να διακόπτετε πάντα τη λειτουργία του εργαλείου και να φορτίζετε την κασέτα μπαταριών όταν παρατηρείτε μειωμένη ισχύ εργαλείου.
2. Μην επαναφορτίζετε ποτέ μια πλήρως φορτισμένη κασέτα μπαταριών. Η υπερφόρτιση μειώνει την ωφέλιμη ζωή της μπαταρίας.
3. Φορτίζετε την κασέτα μπαταριών σε θερμοκρασία δωματίου 10°C - 40°C (50°F - 104°F). Αφήστε μια θερμή κασέτα μπαταριών να κρυώσει πριν τη φορτίσετε.
4. Όταν δεν χρησιμοποιείτε την κασέτα μπαταριών, αφαιρέστε την από το εργαλείο ή τον φορτιστή.
5. Φορτίστε την κασέτα μπαταριών αν δεν θα την χρησιμοποιήσετε για μεγάλη χρονική περίοδο (περισσότερο από έξι μήνες).

Όνομασίες και εξαρτήματα

DTC100

Φορητός κόπτης καλωδίων



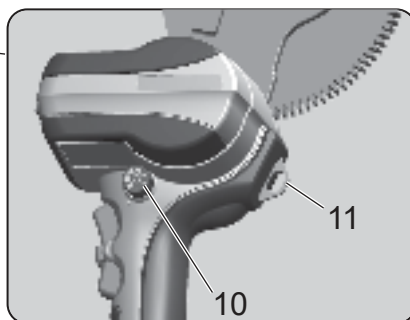
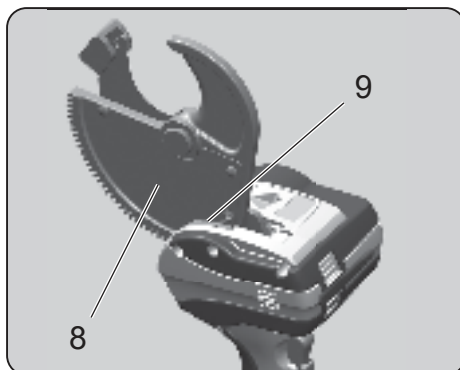
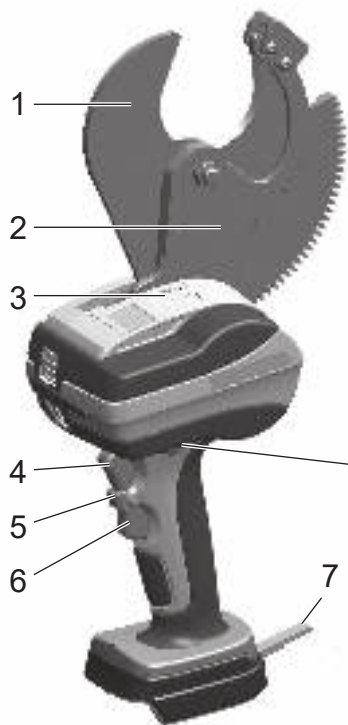
Θήκη μεταφοράς



* Αυτό το εργαλείο έχει σχεδιαστεί για την μπαταρία ιόντων λιθίου 18 V της Makita.

1	Κινητή λάμα	7	Ιμάντας ανάρτησης
2	Σταθερή λάμα	8	Οδηγός γραναζιού (A)
3	Λυχνία LED εργασίας	9	Οδηγός γραναζιού (B)
4	Διακόπτης λειτουργίας προώθησης	10	Βούρτσα (για ξεσκόνισμα)
5	Κλειδωμα διακοπής	11	Περιστρεφόμενο κομβίο
6	Διακόπτης λειτουργίας αντιστροφής	12	Δακτύλιος ανάρτησης

Φορητός κόπτης καλωδίων



Θήκη μεταφοράς



* Αυτό το εργαλείο έχει σχεδιαστεί για την μπαταρία ιόντων λιθίου 18 V της Makita.

1	Κινητή λάμα	7	Ιμάντας ανάρτησης
2	Σταθερή λάμα	8	Πλάκα κινητής λάμας
3	Λυχνία LED εργασίας	9	Βούρτσα (για ξεσκόνισμα)
4	Διακόπτης λειτουργίας προώθησης	10	Περιστρεφόμενο κομβίο
5	Κλειδίωμα διακόπτη	11	Δακτύλιος ανάρτησης
6	Διακόπτης λειτουργίας αντιστροφής	—	—

Μπαταρία

Μπαταρία

- Κατά τη στιγμή της αγοράς, η λειτουργία προστασίας μπαταρίας μπορεί να ενεργοποιηθεί επειδή η μπαταρία δεν είναι επαρκώς φορτισμένη. (Να είστε προσεκτικοί, επειδή αυτό το προϊόν μπορεί να αρχίσει να λειτουργεί αν θέσετε σε λειτουργία τον διακόπτη.) Φορτίστε σωστά την μπαταρία με τον ταχυφορτιστή πριν από τη χρήση.
- Προσαρτήστε το κάλυμμα μπαταρίας όταν δεν χρησιμοποιείτε το προϊόν. Θα βοηθήσει στην προστασία της μπαταρίας από νερό και σκόνη.
- Όταν δεν χρησιμοποιείτε το προϊόν για μεγάλο χρονικό διάστημα, αποθηκεύστε το χωρίς την μπαταρία.

Για να αυξήσετε τη διάρκεια ζωής της μπαταρίας

- Όταν καταλάβετε ότι η ισχύς του εργαλείου έχει εξασθενήσει, σταματήστε τη χρήση και φορτίστε την μπαταρία.
- Μην επαναφορτίζετε μια μπαταρία που είναι πλήρως φορτισμένη.
- Να φορτίζετε την μπαταρία σε θερμοκρασία περιβάλλοντος που κυμαίνεται από 10°C έως 40°C.
- Όταν η μπαταρία ζεσταθεί, όπως αμέσως μετά τη χρήση, συνιστάται να την τοποθετήσετε στον φορτιστή για να κρυώσει και να φορτιστεί.
- Όταν μια μπαταρία ιόντων λιθίου δεν πρόκειται να χρησιμοποιηθεί για μεγάλη χρονική περίοδο (τουλάχιστον 6 μήνες), συνιστάται η φόρτιση και, στη συνέχεια, η αποθήκευσή της.

Συλλογή μπαταριών

- Οι χρησιμοποιημένες μπαταρίες συλλέγονται για ανακύκλωση. Μεταφέρετε την μπαταρία στο κατάστημα από το οποίο αγοράσατε το προϊόν ή σε ένα γραφείο πωλήσεων της Makita.



Ανακυκλώστε την
μπαταρία
ιόντων λιθίου

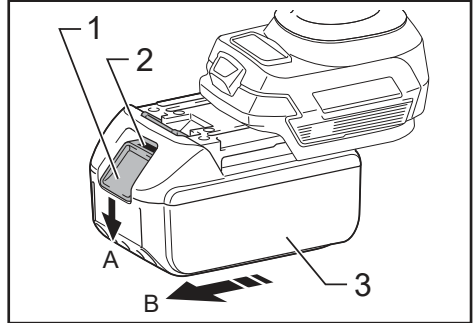
Τρόπος σύνδεσης και αποσύνδεσης της μπαταρίας

▲ΠΡΟΕΙΔΟΠΟΙΗΣΗ:

Εισαγάγετε σωστά την μπαταρία στο προϊόν. Αν το κόκκινο τμήμα στο πάνω μέρος του κουμπιού είναι ορατό, η μπαταρία δεν έχει ασφαλίσει πλήρως στη θέση της. Εισαγάγετε σταθερά την μπαταρία μέχρι να μην φαίνεται το κόκκινο τμήμα.

- Αν η μπαταρία δεν έχει εισαχθεί αρκετά, μπορεί να αποσυνδεθεί και να προκληθεί ατύχημα.
- Για να αποσυνδέσετε την μπαταρία από αυτό το προϊόν, Α. κρατήστε πατημένο το κουμπί στην πρόσωση της μπαταρίας και Β. σύρετε την μπαταρία για να την αφαιρέσετε.

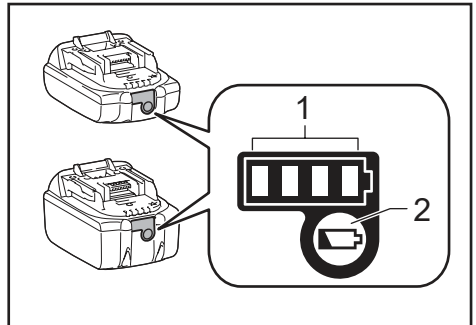
- Όταν συνδέετε την μπαταρία, ευθυγραμμίστε την μπαταρία με τις εγκοπές στο προϊόν και, στη συνέχεια, εισαγάγετε την εντελώς εκτελώντας τη διαδικασία με αντίστροφη σειρά. Αν το κόκκινο τμήμα στο πάνω μέρος του κουμπιού είναι ορατό αυτή τη στιγμή, η μπαταρία δεν έχει ασφαλίσει πλήρως στη θέση της. Εισαγάγετε την μπαταρία σωστά μέχρι τέρμα, ώστε να μην φαίνεται το κόκκινο τμήμα καθόλου.



- 1. Κουμπί 2. Κόκκινο τμήμα 3. Μπαταρία

Εμφάνιση υπολειπόμενης χωρητικότητας μπαταρίας

Μόνο για κασέτες μπαταριών με ενδεικτική λυχνία



- 1. Ενδεικτικές λυχνίες 2. Κουμπί ελέγχου

Πατήστε το κουμπί ελέγχου στην κασέτα μπαταριών για να υποδείξετε την υπολειπόμενη χωρητικότητα μπαταρίας. Οι ενδεικτικές λυχνίες ανάβουν για λίγα δευτερόλεπτα.

Ενδεικτικές Λυχνίες			Υπολειπόμενη χωρητικότητα
Αναμμένη	Σβηστή	Αναβοσβήνει	
■	□	▧	75% έως 100%
■	■	■	50% έως 75%
■	■	□	25% έως 50%
■	□	□	0% έως 25%
▧	□	□	Φορτίστε την μπαταρία.
■	■	□	Η μπαταρία μπορεί να παρουσιάζει δυσλειτουργία.
□	□	■	

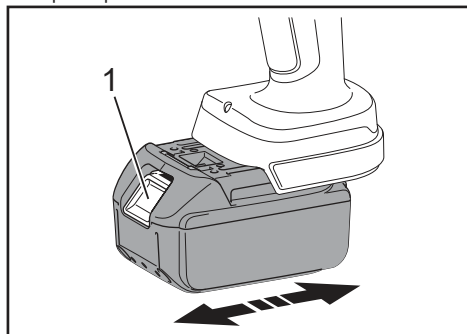
ΣΗΜΕΙΩΣΗ: Ανάλογα με τις συνθήκες χρήσης και τη θερμοκρασία περιβάλλοντος, η ένδειξη μπορεί να διαφέρει λίγο από την πραγματική χωρητικότητα.

ΣΗΜΕΙΩΣΗ: Η πρώτη (τέρμα αριστερά) ενδεικτική λυχνία θα αναβοσβήνει όταν λειτουργεί το σύστημα προστασίας μπαταρίας.

Τρόπος χρήσης του εργαλείου

Σύνδεση της κασέτας μπαταριών

1. Ενώ πατάτε το μάνταλο, τραβήξτε προς τα έξω την κασέτα μπαταριών. Για να αντικαταστήσετε την κασέτα μπαταριών, σπρώξτε την καινούρια κασέτα σταθερά στη θέση της.
2. Αφού σύρετε μια κασέτα μπαταριών για να την τοποθετήσετε, τραβήξτε την απαλά για να ελέγξετε αν βρίσκεται τοποθετημένη σταθερά στη θέση της. Μην πατάτε το μάνδαλο όταν τραβάτε την μπαταρία.

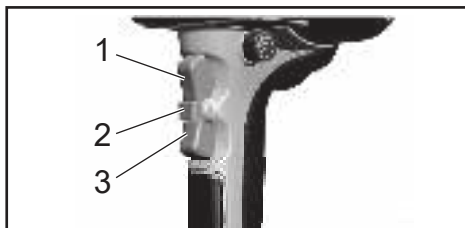


► 1. Μάνδαλο

Λειτουργίες διακόπτη

Για λόγους ασφάλειας, το εργαλείο διαθέτει ένα σύστημα διακόπτη δύο δράσεων.

Για να ενεργοποιήσετε τον διακόπτη λειτουργίας προώθησης (κοπή) και λειτουργίας αντιστροφής (αντιστροφή), πατήστε πρώτα τον διακόπτη ασφάλισης και, στη συνέχεια, πατήστε τον διακόπτη λειτουργίας προώθησης/αντιστροφής.



- 1. Διακόπτης λειτουργίας προώθησης
- 2. Διακόπτης ασφάλισης
- 3. Διακόπτης λειτουργίας αντιστροφής

Λυχνία LED υποβοήθησης εργασίας

Αυτό το εργαλείο διαθέτει μια λυχνία LED που φωτίζει την περιφέρεια της κοπτικής λάμας. Ανάβει όταν ο διακόπτης λειτουργίας προώθησης ή αντιστροφής είναι ενεργός και, στη συνέχεια, σβήνει περίπου 10 δευτερόλεπτα αφού αφήσετε τον διακόπτη.

▲ ΠΡΟΣΟΧΗ:

- Μην κοιτάζετε απευθείας τη λυχνία LED. Αν κοιτάζετε τη λυχνία LED για μεγάλο χρονικό διάστημα, μπορεί να βλάψει τα μάτια σας.

Συναγερμός χαμηλής μπαταρίας

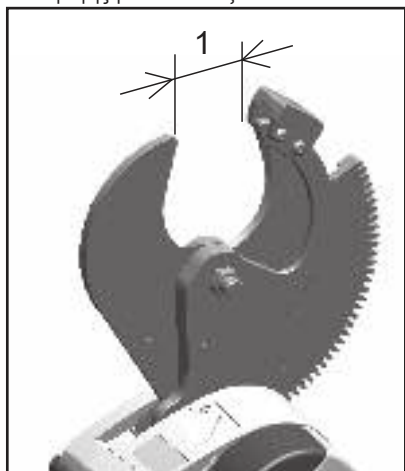
Αν η υπολειπόμενη χωρητικότητα της μπαταρίας είναι χαμηλή, η λυχνία LED αναβοσβήνει 5 φορές ως συναγερμός όταν ο διακόπτης λειτουργίας προώθησης είναι ενεργός. Φορτίστε την μπαταρία ή αντικαταστήστε την με μια εφεδρική.

Κοπτικές εργασίες

1. [DTC100]
Ενεργοποιήστε τον διακόπτη για να ανοίξετε την κινητή λάμα.
Χρησιμοποιήστε τον διακόπτη λειτουργίας προώθησης και αντιστροφής για να θέσετε την κινητή λάμα στην ουδέτερη θέση.

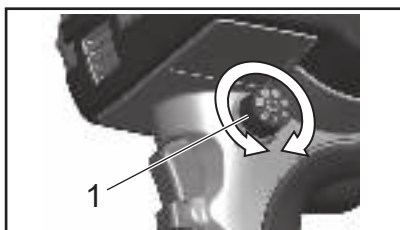


1. [DTC101]
 Βεβαιωθείτε ότι το άνοιγμα είναι επαρκές.
 Βεβαιωθείτε ότι το άνοιγμα είναι αρκετά μεγάλο για να τοποθετήσετε ένα καλώδιο. Αν το άνοιγμα είναι πολύ στενό, πατήστε τον διακόπτη λειτουργίας αντιστροφής για να το ανοίξετε.



► 1. Άνοιγμα

2. Χρήση του περιστρεφόμενου κομβίου για ενεργοποίηση ή απενεργοποίηση της αυτόματης αντιστροφής
 Μετακινήστε το κομβίο στην επιθυμητή θέση για να ενεργοποιήσετε την αυτόματη αντιστροφή ή θέστε το στην ανενεργή θέση για να την απενεργοποιήσετε.

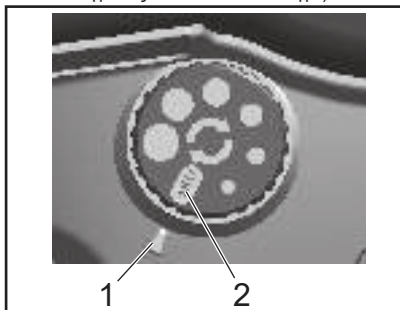


► 1. Περιστρεφόμενο κομβίο

Λειτουργία αυτόματης αντιστροφής

Όταν είναι ενεργοποιημένη η αυτόματη αντιστροφή, το μοτέρ φρενάρει μετά την κοπή ενός καλωδίου. Μόλις αφήσετε τον διακόπτη λειτουργίας προώθησης, η κινητή λάμα επιστρέφει αυτόματα όπως έχει ρυθμιστεί από το περιστρεφόμενο κομβίο.

Το άνοιγμα μπορεί να ρυθμιστεί σε 6 επίπεδα. (Το ποσό ανοίγματος αποτελεί έναν οδηγό).



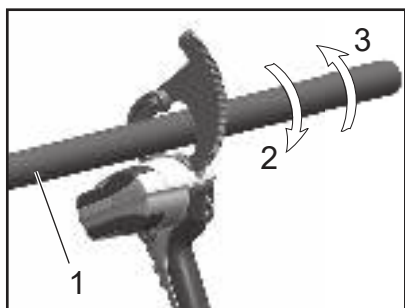
► 1. Ποσό ανοίγματος 2. Off (Απενεργοποίηση)

⚠ ΠΡΟΣΟΧΗ:

- Η αυτόματη αντιστροφή δεν ενεργοποιείται αν ο διακόπτης λειτουργίας προώθησης απελευθερωθεί πριν από μια πλήρη κοπή.
- Η αυτόματη αντιστροφή δεν ενεργοποιείται με λεπτό ηλεκτρικό καλώδιο 60 mm² ή μικρότερο.
- Η διάμετρος ανοίγματος μπορεί να διαφέρει ανάλογα με την υπολειπόμενη τάση της μπαταρίας.

3. [DTC100]
 Εισαγωγή ηλεκτρικού καλωδίου στο άνοιγμα της κινητής λάμας

Τοποθετήστε το καλώδιο προς κοπή επάνω στη σταθερή λάμα και κλείστε την κινητή λάμα γύρω από το καλώδιο. Τροφοδοτήστε την κινητή λάμα με το χέρι με τρόπο ώστε τα δόντια γραναζιού να δεσμεύσουν τον μηχανισμό κίνησης της μονάδας.

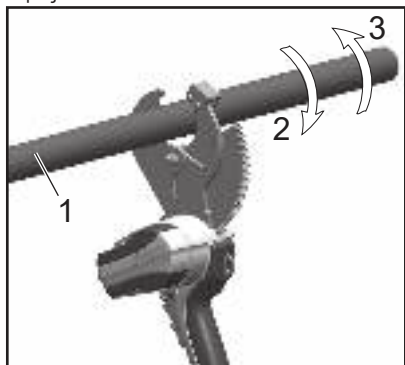


- 1. Καλώδιο 2. Περιστροφή κοπής
3. Αντίστροφη περιστροφή

3. [DTC101]

Εισαγωγή ηλεκτρικού καλωδίου στο άνοιγμα της κινητής λάμας

Τοποθετήστε το καλώδιο προς κοπή μέσα στο άνοιγμα λάμας και επάνω στην πλευρά σταθερής λάμας.



- 1. Καλώδιο 2. Περιστροφή κοπής
3. Αντίστροφη περιστροφή

4. Λειτουργία του διακόπτη λειτουργίας προώθησης και κοπή ηλεκτρικού καλωδίου

Πατήστε παρατεταμένα τον διακόπτη λειτουργίας προώθησης μέχρι να ολοκληρωθεί η κοπή.

5. Αφαίρεση θραυσμάτων μετά την κοπή.

Αφού ολοκληρώσετε την κοπή, αφαιρέστε τυχόν υπολείμματα ή θραύσματα από τη λάμα.

▲ΠΡΟΣΟΧΗ:

• Παρατεταμένη λειτουργία

Για την προστασία του μοτέρ, σταματήστε να χρησιμοποιείτε το εργαλείο όταν η περιοχή γύρω από την ετικέτα προσοχής ζεσταθεί. Για να συνεχίσετε να χρησιμοποιείτε το εργαλείο, τοποθετήστε το εργαλείο για 50 λεπτά σε δροσερό και καλά αεριζόμενο μέρος μέχρι να κρυώσει.

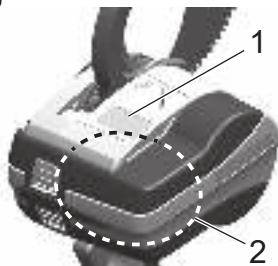
• Η προστασία από υπερένταση/υπερφόρτωση μπορεί επίσης να ενεργοποιηθεί ακόμη και κατά τη λειτουργία του εργαλείου εντός της ικανότητας κοπής.

Η θερμοκρασία λειτουργίας, το μήκος καλωδίου, η κάμψη και άλλοι παράγοντες επηρεάζουν την απόδοση του εργαλείου.

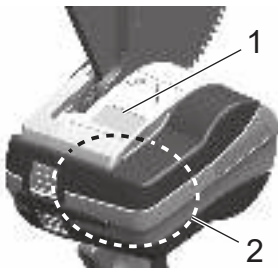
• Αν η λυχνία LED αναβοσβήσει 6 ή περισσότερες φορές, πρόκειται για ένδειξη σφάλματος της πλακέτας κυκλώματος.

Επικοινωνήστε με τον τοπικό σας αντιπρόσωπο.

DTC100



DTC101



► 1. Ετικέτα προσοχής

2. Περιοχή προειδοποίησης υψηλής θερμοτήτας

▲ΠΡΟΣΟΧΗ:

• Τα DTC100 και DTC101 προορίζονται μόνο για καλώδια χαλκού και αλουμινίου. Μην χρησιμοποιείτε αυτά τα εργαλεία για χάλυβα, ACSR ή άλλα χαλύβδινα υλικά.

Λειτουργία προστασίας από υπερένταση

Αν εφαρμοστεί ρεύμα υπερφόρτωσης λόγω κοπής καλωδίου εκτός προδιαγραφών, ενεργοποιείται η λειτουργία προστασίας από υπερένταση και διακόπτεται η λειτουργία του μοτέρ. Για ανάκτηση, αφήστε τον διακόπτη λειτουργίας προώθησης.

Αντικατάσταση με ανταλλακτικά (DTC100)

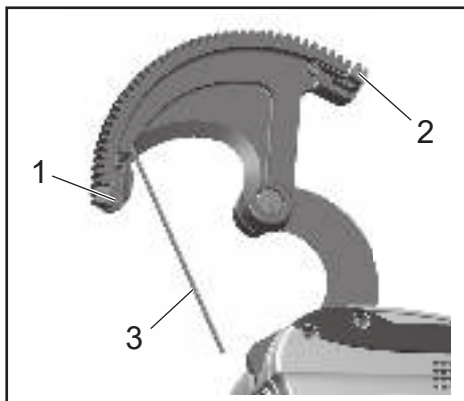
Για να αντικαταστήσετε τον οδηγό γραναζιού μόνοι σας, ακολουθήστε την παρακάτω διαδικασία.

⚠ ΠΡΟΣΟΧΗ:

- Βεβαιωθείτε να αφαιρέσετε την κασέτα μπαταριών από την κύρια μονάδα πριν αντικαταστήσετε τον οδηγό γραναζιού.
- Αν ο οδηγός γραναζιού έχει υποστεί ζημιά ή παράγει μη φυσιολογικό θόρυβο, αντικαταστήστε τον αμέσως. Αν συνεχίσετε να χρησιμοποιείτε το προϊόν με κατεστραμμένο οδηγό γραναζιού, μπορεί να προκληθεί ζημιά στα εσωτερικά γρανάζια.

Αντικατάσταση του οδηγού γραναζιού

1. Αφαίρεση του οδηγού γραναζιού
Χρησιμοποιήστε ένα εξαγωνικό κλειδί για να ξεβιδώσετε το μπουλόνι με εξαγωνική οπή (M3 x 3) και να αφαιρέσετε τον οδηγό γραναζιού.
2. Προσάρτηση του οδηγού γραναζιού
Προσαρτήστε τον καινούριο οδηγό γραναζιού και σφίξτε καλά το μπουλόνι.



- 1. Οδηγός γραναζιού (Α) 2. Οδηγός γραναζιού (Β) 3. Εξαγωνικό κλειδί

Αντικατάσταση με ανταλλακτικά (DTC101)

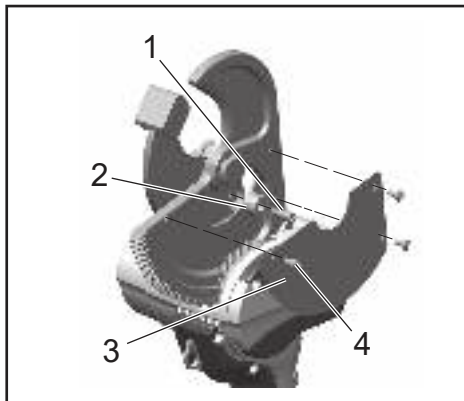
Για να αντικαταστήσετε τον αναστολέα μόνοι σας, ακολουθήστε την παρακάτω διαδικασία.

⚠ ΠΡΟΣΟΧΗ:

- Βεβαιωθείτε να αφαιρέσετε την κασέτα μπαταριών από την κύρια μονάδα πριν αντικαταστήσετε τον αναστολέα.

Αντικατάσταση του αναστολέα

1. Αφαιρέστε τις βίδες Phillips με στρογγυλή κεφαλή, την πλάκα και το μπουλόνι σύσφιξης (37) και, στη συνέχεια, βγάλτε τον αναστολέα.
2. Προσαρτήστε τον νέο αναστολέα με το μπουλόνι σύσφιξης, εφαρμόστε ασφαλιστική κόλλα βιδών στη βίδα και, στη συνέχεια, σφίξτε τελείως.
3. Προσαρτήστε την πλάκα και βιδώστε τις βίδες Phillips με στρογγυλή κεφαλή.

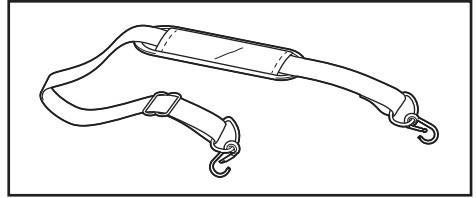


- 1. Μπουλόνι σύσφιξης (37) 2. Αναστολέας
3. Πλάκα
4. Βίδες Phillips με στρογγυλή κεφαλή

Προαιρετικά εξαρτήματα

• Ιμάντας ώμου (161347-8)

Αυτός ο ιμάντας ώμου χρησιμοποιείται με τη σύνδεση του ιμάντα ανάρτησης αυτού του εργαλείου.



Συντήρηση/Επιθεώρηση

- Λάβετε υπόψη ότι η παραμέληση της καθημερινής συντήρησης/επιθεώρησης μπορεί να προκαλέσει δυσλειτουργία του εργαλείου.
- Αποφύγετε την αποθήκευση του εργαλείου σε υγρό περιβάλλον για την ομαλή λειτουργία του εργαλείου και την αποτροπή της δημιουργίας σκουριάς.
- Αν το εργαλείο έχει υποστεί ζημιά κατά τη διάρκεια της κανονικής χρήσης (10.000 λειτουργίες ή περισσότερες, 1.000 κοπές ή περισσότερες), μην συνεχίσετε τη λειτουργία απλώς αντικαθιστώντας μόνο το κατεστραμμένο μέρος, επειδή έχει φτάσει στο τέλος της ζωής του.
- Όταν ένα τμήμα ρητίνης βρομίσει, χρησιμοποιήστε ένα μαλακό πανί βρεγμένο με σαπουνόνερο για να το σκουπίσετε.
- Όταν η κασέτα μπαταριών αποθηκεύεται μόνη της, βεβαιωθείτε να τοποθετήσετε το βοηθητικό κάλυμμα ακροδέκτη στον ακροδέκτη για να αποφύγετε βραχυκύκλωμα.
- Για επιθεώρηση της ασφαλείας, συνιστάται να φέρετε το εργαλείο στον κατασκευαστή περίπου μία φορά κάθε δύο χρόνια (με χρέωση). Επικοινωνήστε με τον τοπικό σας αντιπρόσωπο για λεπτομέρειες.

Προδιαγραφές

Φορητός κόπτης καλωδίων	DTC100	DTC101
Μέγιστη διάμετρος με δυνατότητα κοπής	Μη σιδηρούχα υλικά μόνο (Al ή Cu)	
	φ50 mm (κλώνος Cu φ30 mm /κλώνος Al φ38 mm)	
Ηλεκτρικό μοτέρ	Μοτέρ συνεχούς ρεύματος DC	
Διαστάσεις	117 (B) × 320 (Y) × 197 (Π) (mm)	117 (B) × 380 (Y) × 189 (Π) (mm)
Βάρος	2,2 kg	2,9 kg

⚠️ ΠΡΟΣΟΧΗ:

- Τα DTC100 και DTC101 προορίζονται μόνο για καλώδια χαλκού και αλουμινίου. Μην χρησιμοποιείτε αυτά τα εργαλεία για χάλυβα, ACSR ή άλλα χαλύβδινα υλικά.

Δηλώσεις συμμόρφωσης

Μόνο για χώρες της Ευρώπης

Οι Δηλώσεις Συμμόρφωσης περιλαμβάνονται στο Παράρτημα Α του παρόντος εγχειριδίου οδηγιών.

TÜRKÇE: Orijinal talimatlar

⚠UYARI: Lütfen bu operatör kılavuzunda ve talimatlarında yer alan tüm talimatları ve güvenlik bilgilerini okuyup anlayın. Hedeflenen uygulamalar dışında kullanılması ciddi yaralanma veya ölüme yol açabilir.

- **Akülü kablo kesicimizi satın aldığınız için teşekkür ederiz.**
- **Lütfen ekipmanı kullanmaya başlamadan önce bu kullanım kılavuzunu baştan sona ve dikkatle okuyun. Okuduktan sonra, bu kullanım kılavuzunu kolayca erişebileceğiniz bir yerde saklayın.**
- **Açıklama**
Mekanik kesiciler, günümüzde endüstride kullanılan kabloları kesmek için tasarlanmış, pille çalışan kesicilerdir.

Güvenlik önlemleri

⚠UYARI: Tüm güvenlik uyarılarını ve tüm talimatları okuyun. Uyarılara ve talimatlara uyulmaması elektrik çarpmasına, yangına ve/veya ciddi yaralanmaya neden olabilir.

Gelecekte başvurmak üzere tüm uyarıları ve talimatları saklayın.

⚠UYARI: Bu ürünün yanlış kullanılması durumunda kullanıcı ölebilir veya ciddi şekilde yaralanabilir.

1) Çalışma alanı güvenliği

- a) Çalışma alanının temiz ve iyi aydınlatılmış olmasını sağlayın. Dağınık veya karanlık alanlar kazalara davetiye çıkarır.
- b) Elektrikli aletleri yanıcı sıvıların, gazların veya tozların bulunduğu patlayıcı ortamlarda çalıştırmayın. Elektrikli aletler toz veya dumanı ateşleyebilecek kıvılcımlar oluşturur.
- c) Elektrikli aleti kullanırken çocukları ve çevredekileri uzak tutun. Dikkatinizin dağılması kontrolü kaybetmenize neden olabilir.

2) Elektrik güvenliği

- a) Elektrikli alet fişleri prizle uyumlu olmalıdır. Fişi hiçbir şekilde modifiye etmeyin. Topraklı elektrikli aletlerde adaptör fişleri kullanmayın. Değiştirilmemiş fişler ve uyumlu prizler elektrik çarpması riskini azaltacaktır.
- b) Borular, radyatörler, ocaklar ve buzdolapları gibi topraklanmış yüzeylerle vücut temasından kaçının. Vücudunuz topraklanırsa elektrik çarpması riski artar.
- c) Elektrikli aletleri yağmura veya ıslak koşullara maruz bırakmayın. Elektrikli alete su girmesi elektrik çarpması riskini artıracaktır.
- d) Kabloyu amacı dışında kullanmayın. Kabloyu asla elektrikli aleti taşımak, çekmek veya fişini çekmek için kullanmayın.
Kabloyu ısıdan, yağdan, keskin kenarlardan veya hareketli parçalardan uzak tutun. Hasarlı veya dolaşmış kablolar elektrik çarpması riskini artırır.

- e) Elektrikli aleti açık havada çalıştırırken, açık havada kullanıma uygun bir uzatma kablosu kullanın. Dış mekanda kullanıma uygun bir kablunun kullanılması elektrik çarpması riskini azaltır.
- f) Elektrikli aletin nemli bir yerde çalıştırılması kaçınılmazsa, kaçak akım cihazı korumalı bir kaynak kullanın. Kaçak akım cihazı kullanımı elektrik çarpması riskini azaltır.

3) Kişisel güvenlik

- a) Elektrikli bir aleti kullanırken dikkatli olun, ne yaptığınıza dikkat edin ve sağduyunuzu kullanın.
Yorgunken veya uyuşturucu, alkol veya ilaç etkisi altındayken elektrikli aleti kullanmayın. Elektrikli aletleri kullanırken bir anlık dikkatsizlik ciddi kişisel yaralanmayla sonuçlanabilir.
- b) Kişisel koruyucu ekipman kullanın. Her zaman göz koruması kullanın. Uygun koşullar için kullanılan toz maskesi, kaymaz güvenlik ayakkabısı, baret veya kulaklık gibi koruyucu ekipmanlar kişisel yaralanmaları azaltacaktır.
- c) İstenmeyen çalıştırmayı önleyin. Aleti güç kaynağına ve/veya pile bağlamadan, kaldırmadan veya taşımadan önce anahtarın kapalı konumunda olduğundan emin olun. Elektrikli aletleri parmağınız anahtar üzerindeyken taşımak veya anahtarı açık olan elektrikli aletlere enerji vermek kazalara davetiye çıkarır.
- d) Elektrikli aleti açmadan önce tüm ayar anahtarlarını veya anahtarları çıkarın. Elektrikli aletin dönen bir parçasına takılı bırakılan bir anahtar kişisel yaralanmaya yol açabilir.
- e) Uzanmayın. Her zaman uygun duruş ve dengeyi koruyun. Bu, beklenmedik durumlarda elektrikli aletin daha iyi kontrol edilmesini sağlar.
- f) Uygun kıyafetler giyinin. Bol giysiler giymeyin veya takılar takmayın. Saçınızı, kıyafetlerinizi ve eldivenlerinizi hareketli parçalardan uzak tutun. Bol giysiler, takılar veya uzun saçlar hareketli parçalara kapılabilir.
- g) Toz emme ve toplama araçlarının bağlanması için cihazlar verilmişse bunların bağlandığından ve usulüne uygun kullanıldığından emin olun. Toz toplamanın kullanılması tozla ilgili tehlikeleri azaltabilir.

h) Aletlerin sık kullanımıyla kazanılan aşinalığın, dikkatsiz olmanıza ve alet güvenliği ilkelerini göz ardı etmenize yol açmasına izin vermeyin. Dikkatsiz bir hareket, saniyeden çok kısa bir sürede ciddi yaralanmalara neden olabilir.

4) Elektrikli alet kullanımı ve bakımı

- a) Elektrikli aleti zorlamayın. Uygulamanız için doğru elektrikli aleti kullanın. Doğru elektrikli alet, işi tasarlandığı hızda daha iyi ve daha güvenli yapacaktır.
- b) Anahtar aleti açıp kapatmıyorsa elektrikli aleti kullanmayın. Anahtarla kontrol edilemeyen her türlü elektrikli alet tehlikelidir ve onarılması gerekir.
- c) Herhangi bir ayarlama yapmadan, aksesuarları değiştirmeden veya elektrikli aletleri saklamadan önce fişi güç kaynağından ve/veya pil takımını elektrikli aletten çıkarın. Bu tür önleyici güvenlik önlemleri, elektrikli aletin kazara çalıştırılması riskini azaltır.
- d) Kullanılmayan elektrikli aletleri çocukların erişemeyeceği bir yerde saklayın ve elektrikli aleti veya bu talimatları bilmeyen kişilerin elektrikli aleti kullanmasına izin vermeyin. Elektrikli aletler eğitimsiz kullanıcıların elinde tehlikelidir.
- e) Elektrikli aletlerin ve aksesuarların bakımını yapın. Hareketli parçalarda yanlış hizalama veya tutukluk olup olmadığını, parçalarda kırık olup olmadığını ve elektrikli aletin çalışmasını etkileyebilecek diğer koşulları kontrol edin. Hasar görmüşse, elektrikli aleti kullanmadan önce onartın. Kazaların çoğu, bakımı iyi yapılmayan elektrikli aletlerden kaynaklanmaktadır.
- f) Kesici aletleri keskin ve temiz tutun. Düzgün bakımı yapılan, keskin kesici kenarlara sahip kesme aletlerinin sıkışma olasılığı daha azdır ve kontrol edilmesi daha kolaydır.
- g) Elektrikli aleti, aksesuarlarını, alet uçlarını vb. çalışma koşullarını ve yapılacak işi dikkate alarak bu talimatlara uygun olarak kullanın. Elektrikli aletin amaçlanan işlemler dışında kullanılması tehlikeli durumlara yol açabilir.
- h) Sapları ve kavrama yüzeylerini kuru, temiz ve yağdan arındırılmış halde tutun. Kaygan saplar ve kavrama yüzeyleri, beklenmedik durumlarda aletin güvenli bir şekilde kullanılmasına ve kontrol edilmesine izin vermez.

5) Bataryalı alet kullanımı ve bakımı

- a) Yalnızca üretici tarafından belirtilen şarj cihazıyla şarj edin. Bir pil takımı tipine uygun bir şarj cihazı, başka bir pil takımıyla kullanıldığında yangın riski oluşturabilir.
- b) Elektrikli aletleri yalnızca özel olarak belirtilen pil takımlarıyla kullanın. Başka herhangi bir pil takımının kullanılması yaralanma ve yangın riski oluşturabilir.
- c) Pil takımı kullanılmadığında, onu bir terminalden diğerine bağlantı yapabilecek ataç, bozuk para, anahtar, çivi, vida veya diğer küçük metal nesnelere uzak tutun. Pil terminallerinin birbirine kısa devre yapması yanıklara veya yangına neden olabilir.
- d) Kötü koşullar altında pilden sıvı sızabilir; temastan kaçınmın. Yanlışlıkla temas halinde suyla yıkayın. Sıvının gözle teması halinde ayrıca tıbbi yardım alın.

Pilden çıkan sıvı tahrişe veya yanıklara neden olabilir.

- e) Hasar görmüş veya modifiye edilmiş bir pil takımını veya aleti kullanmayın. Hasarlı veya modifiye edilmiş piller, yangına, patlamaya veya yaralanma riskine yol açacak öngörülemeyen davranışlar sergileyebilir.
- f) Pil takımını veya aleti ateşe veya aşırı sıcaklığa maruz bırakmayın. Ateşe veya 130°C'nin üzerindeki sıcaklığa maruz bırakılması patlamaya neden olabilir.
- g) Tüm şarj talimatlarını izleyin ve pil takımını veya aleti talimatlarda belirtilen sıcaklık aralığının dışında şarj etmeyin. Uygunsuz şekilde veya belirtilen aralığın dışındaki sıcaklıklarda şarj etmek, pile zarar verebilir ve yangın riskini artırabilir.

6) Servis

- a) Elektrikli aletinizin bakımını yetkili bir tamirciye yalnızca aynı yedek parçaları kullanarak yaptırın. Bu, elektrikli aletin güvenliğinin korunmasını sağlayacaktır.
- b) Hasar görmüş pil takımlarına asla bakım yapmayın. Pil takımlarının servisi yalnızca üretici veya yetkili servis sağlayıcılar tarafından yapılmalıdır.

Bağlantı elemanının gizli kablolarla temas edebileceği bir işlem yaparken elektrikli aleti yalıtımlı tutma yüzeylerinden tutun. "Akımlı" bir kabloyla temas eden bağlantı elemanları, elektrikli aletin açığa kalan metal parçalarını "akımlı" hale getirebilir ve operatörü elektrik çarpmasına neden olabilir.

Orijinal Makita pil şarj cihazını ve pil takımını kullanın.

- Bu alet için orijinal pil takımını kullanın.
- Pil takımını başka bir pil şarj cihazıyla şarj etmeyin. Buna uyulmaması, kazaya veya yaralanmaya yol açabilecek bir parçalanmaya neden olabilir.

Pil takımını doğru şekilde şarj edin.

- Bu ürünle birlikte verilen pil şarj cihazını bağlamak için değer göstergesi olan bir güç kaynağı kullanın.
- Pil takımını şarj etmek için DC güç kaynağı veya motorla çalışan güç jeneratörü kullanmayın. Buna uyulmaması aşırı ısı üreterek yangına neden olabilir.
- Ortamın, pil takımının veya pil şarj cihazının sıcaklığı 0°C'nin altında veya 40°C'nin üzerinde olduğunda pil takımını şarj etmeyin. Buna uyulmaması parçalanmaya veya yangına neden olabilir.
- Pil takımını şarj ederken şarj için iyi havalandırılan bir yer seçin.
- Şarj sırasında pil takımının üzerine bir kumaş örtmeyin. Buna uyulmaması parçalanmaya veya yangına neden olabilir.
- Şarj ettikten sonra elektrik fişini çıkardığınızdan emin olun. Buna uyulmaması elektrik çarpmasına veya yangına neden olabilir.

Kullanım sırasında kesiciyi insanlara doğrultmayın.

- Buna uyulmaması yaralanmalara yol açabilir.

Pil takımının terminallerine kısa devre yaptırmayın.

- Pil takımı tek başına saklandığında, kısa devreyi önlemek için terminal kapakçısı terminalin üzerine koyduğunuzdan emin olun. Pil terminallerinin vida, çivi vb. gibi diğer metal parçalar tarafından kısa devre yapılmayacağından emin olun.

Pil takımını ateşe maruz bırakmayın.

- Buna uyulmaması, parçalanmaya veya tehlikeli bir maddenin sızmasına neden olabilir.

Üzerinde elektrik bulunan parçalarda kullanmayınız.

- Alet yalıtımlı değildir. Elektrikli yerlerde kullanılması elektrik çarpmasına yol açabilir.
- Tehlikeden şüphelenilen diğer zamanlarda Bu uyarılara uyulmaması, aletin yanlışlıkla açılmasına ve yaralanmalara neden olabilir.

Aşağıdaki durumlarda pil takımını aletin gövdesinden çıkarın.

- Kullanılmadığı zaman veya onarım için
- Yedek parçaları değiştirirken
- Tehlikeden şüphelenilen diğer zamanlarda Bu uyarılara uyulmaması, aletin yanlışlıkla açılmasına ve yaralanmalara neden olabilir.

Aletin beklenmedik bir şekilde başlatılması.

- Aleti hareket ettirirken parmaklarınızın tetikten yeterince uzakta olduğundan emin olun. Aletin beklenmeyen şekilde çalışmaya başlaması yaralanmalara yol açabilir.

Yalnızca belirtilen aksesuarları kullanın.

- Bu kullanım kılavuzunda veya kataloğumuzda belirtilenler dışında herhangi bir aksesuar kullanmayın. Buna uyulmaması kazalara ya da yaralanmalara yol açabilir.

Koruyucu ekipman kullanın.

- Çalışma sırasında koruyucu gözlük kullanın. Çalışmanın tozlu olması durumunda koruyucu maske kullanın. Kesim sırasında küçük parçalar saçılıp yaralanmaya neden olabilir.

LED çalışma lambasına bakmayın.

- Görüşünüzü kötüleştirilebilir.

Çalışma ortamınıza özen gösterin.

- Aleti, pil şarj cihazını veya pil takımını yağmurda veya ıslak veya nemli yerlerde kullanmayın. Buna uyulmaması elektrik çarpmasına veya duman çıkmasına yol açabilir.
- Çalışmayı yeterince aydınlık bir yerde yapın. Karanlık bir yerde çalışmak kazaya neden olabilir.
- Yanıcı sıvı veya gazın bulunduğu ortamlarda pili kullanmayın veya şarj etmeyin. Buna uyulmaması patlamaya veya yangına neden olabilir.

Çalışma ortamını her zaman temiz tutun.

- Dağınık yerler ve tezgahlar kazaya neden olabilir.

Çocukları aletten uzak tutun.

- Operatör dışındaki kişilerin alete ve şarj cihazının kabloşuna dokunmasına izin vermeyin. İnsanları çalışma ortamından uzak tutun. Buna uyulmaması yaralanmaya yol açabilir.

Alet kullanılmadığında uygun şekilde saklayın.

- Aleti, nemin az olduğu, ayrıca çocukların ulaşamayacağı yüksek veya kilitlenebilecek bir yerde saklayın. Buna uyulmaması kazaya yol açabilir.
- Aleti veya pil takımını sıcaklığın 40°C veya daha fazla yükselebileceği bir yerde (metal bir kutunun içinde, yazın bir arabanın içinde vb.) saklamayın. Buna uyulmaması pil takımının bozulmasına neden olabilir, bu da duman çıkmasına veya tutuşmaya neden olabilir.

Aleti mantık dışı bir şekilde kullanmayın.

- Güvenli ve verimli çalışma için aletin kapasitesine uygun şekilde işlem yapın. Aletin kapasitesinin üzerinde kullanılması kazaya neden olabilir.
- Aleti, motorun kilitlenmesine neden olacak makul olmayan bir şekilde kullanmayın. Buna uyulmaması duman veya kıvılcım çıkmasına neden olabilir.

Çalışmaya uygun bir alet kullanın.

- Aleti belirtilen uygulamalar dışında kullanmayın. Buna uyulmaması yaralanmaya yol açabilir.

İşlemi uygun kıyafetlerle gerçekleştirin.

- Bol kıyafetler veya kolye gibi aksesuarlar takmayın. Bu tür şeyler hareketli bir parçaya, dönen bir parçaya veya benzerlerine sıkışabilir.
- Çalışma açık havada gerçekleştirilirken lastik eldiven ve kaymaz ayakkabı kullanılması tavsiye edilir. Kaygan eldivenler ve ayakkabılar yaralanmalara neden olabilir.
- Saçlarınız uzunsa saçınızı kapatmak için bir başlık veya örtü kullanın. Buna uyulmaması, saçınızın hareketli bir parçaya, dönen bir parçaya veya benzerlerine sıkışmasına neden olabilir.

Aleti doğal olmayan bir duruşla çalıştırmayın.

- Ayaklarınızı her zaman düzgün tutun ve dengeyi koruyun. Buna uyulmaması, devrilmenize ve yaralanmanıza neden olabilir.

Büyük bir dikkatle ve uyanık durumda çalışın.

- Aleti kullanırken, kullanım yöntemine, çalışma şekline ve çevre koşullarına dikkat edin ve işleminizi dikkatli bir şekilde gerçekleştirin. Buna uyulmaması kazaya veya yaralanmaya yol açabilir.
- Aleti alkolün etkisi altında çalıştırmayın. Buna uyulmaması kazaya veya yaralanmaya yol açabilir.
- Fiziksel durumunuz kötüyken aleti çalıştırmayın. Buna uyulmaması kazaya veya yaralanmaya yol açabilir.

Pil şarj cihazının kabloşuna sert bir şekilde dokunmayın.

- Şarj cihazının kabloşundan tutarak taşımayın veya prizden çıkarmak için çekmeyin.
- Kabloşu ısıdan, yağdan ve keskin kenarlardan uzak tutun.
- Şarj ortamında kabloşun üzerine basılmayacak veya takılıp düşülmeyecek bir ortam olduğundan emin olun. Buna uyulmaması elektrik çarpmasına veya kısa devreye neden olabilir ve bu da tutuşmaya neden olabilir.

Dış mekanda kullanım özelliklerine sahip bir uzatma kablosu kullanın.

- Aleti açık havada kullanıyorsanız sert kauçuk kılıflı kablodan yapılmış bir uzatma kablosu kullanın.

Aletin bakımını dikkatli bir şekilde yapın.

- Yedek parçaları değiştirirken kullanım kılavuzunu takip edin. Buna uyulmaması yaralanmaya yol açabilir.
- Pil şarj cihazının kablosunu düzenli aralıklarla kontrol edin. Kablonun hasar görmesi durumunda yetkili servisten onarımını isteyin. Buna uyulmaması elektrik çarpmasına veya kısa devreye neden olabilir ve bu da tutuşmaya neden olabilir.
- Uzatma kablosu kullanılıyorsa, kabloyu düzenli olarak kontrol edin. Kablonun hasar görmesi durumunda yenisiyle değiştirin. Buna uyulmaması elektrik çarpmasına veya kısa devreye neden olabilir ve bu da tutuşmaya neden olabilir.
- Sapı her zaman kuru ve temiz tutun ve yağ ve gresten uzak tutun. Buna uyulmaması yaralanmaya yol açabilir.

Hasarlı parçaları kontrol edin.

- Kullanmadan önce hiçbir şeyin hasar görmediğini kontrol edin. Aletin normal şekilde çalıştığını ve tüm bileşenlerin düzgün çalıştığını doğrulayın.
- Hareketli parçaların hizasını, düzgün çalışmasını, parçaların kırılmasını, montajını ve çalışmasını etkileyebilecek diğer koşulları kontrol edin.
- Elektrik fişi veya kablosu hasar görmüş veya düşerek hasar görmüş pil şarj cihazını kullanmayın. Buna uyulmaması elektrik çarpmasına veya kısa devreye neden olabilir ve bu da tutuşmaya neden olabilir. Hasar görmüşse, bu kullanım kılavuzunda aksi belirtilmediği sürece yetkili servis tarafından uygun şekilde onarılmalı veya değiştirilmelidir. Arızalı anahtarların yetkili servis tarafından değiştirilmesini sağlayın. Anahtar aleti açıp kapatmıyorsa aleti kullanmayın. Bu tür bir alet anormal şekilde çalışarak yaralanmaya neden olabilir.

Yetkili servisten onarımını isteyin.

- Ana üniteyi, pil şarj cihazını veya pil takımını sökmeyin, onarmayın veya modifiye etmeyin. Buna uyulmaması, yaralanmaya yol açabilecek şekilde tutuşmaya veya anormal çalışmaya neden olabilir.
- Alet ısınırsa veya alette bir anormallik bulunursa aletin incelenmesini veya onarılmasını talep edin.
- Bu alet ilgili güvenlik gerekliliklerine uygun olarak üretilmiştir. Bu ürünü modifiye etmeye çalışmayın.
- Aletinizi yetkili servise tamir ettirin. Onarımlar yalnızca kalifiye bir kişi tarafından, orijinal yedek parçalar kullanılarak yapılmalıdır; aksi takdirde bu durum kullanıcı için ciddi tehlikelere yol açabilir.

Akülü kablo kesicinin kullanımıyla ilgili önlemler

• Bu aracı kullanırken aşağıda gösterilen talimatları izleyin:

Alet için önlemler

- **Maksimum kesme kapasitesinin üzerinde hiçbir şeyi asla kesmeyin.**
Buna dikkat edilmemesi hasara yol açabileceğinden dikkatli olun. (Bkz. sayfa 164)
- **Hareketli veya sabit bıçakların kesici kenarlarına dokunmayın.**
Buna uyulmaması yaralanmaya yol açabilir.
- **Asla canlı kabloları (elektrikli ileten elektrik kabloları) kesmeyin.**
- **Düşmelere veya diğer aşırı darbelerle maruz bırakmayın.**
İç yapısı kompakt ve hafif olacak şekilde hassas bir şekilde üretilmiştir, bu nedenle darbeye maruz kaldığında düzgün çalışmayabilir.
- **Yağmurda kullanmayın.**
Bunu yapmak bıçağın paslanmasına ve kesici kenarın körelmesine veya hasar görmesine neden olabilir.
- **50 mm veya daha kısa olan fazlalıkları kesmeyin.**
CCP'nin ve diğer kablo uçlarının fazlalıklarının aşırı derecede kısa kesilmesi, kablonun vb. iç kısımlarının kesilmesine neden olabilir.
- **Kesilecek yönün tersine kuvvet uygulamayın.**
Malzemeleri daima düz bir şekilde kesin. Buna uyulmaması kesici bıçağa zarar verebilir.
- **Sağlam bir şekilde tutun.**
Buna uyulmaması yaralanmaya yol açabilir.
- **Yüksek bir yerde kullanmadan önce altınızda kimsenin olmadığından emin olun.**
Buna uyulmaması, malzemelerin veya cihazın düşürülmesi vb. durumlarda kazaya neden olabilir.
- **Kullanmadan önce hiçbir şeyin anormal olmadığını kontrol edin.**
Kesicideki çatlaklar veya kırıklar kesiciye zarar verebilir ve yaralanmalara yol açabilir.
- **Kullanım sırasında mola verin.**
Uzun süre mola vermeden kesmek, motorun ve pil takımının aşırı ısınmasına neden olabilecek ve hasara yol açabilecek yüksek motor ısısını korur. Kullanım sırasında ara sıra mola verdiğinizden emin olun.
- **Düşük ortam sıcaklıkları (10°C veya daha az), elektrik kablosunun sertleşmesine neden olarak kesme kapasitesi dahilinde olsa bile kesilmesini zorlaştırabilir.**
- **Her kullanımdan sonra hava vb. ile temizleyin.**
Açıklıktan (hareketli bıçak sürücüsü) ünitenin içine kesiklerin ve diğer artıkların girmemesine dikkat edin.
- **1 mm çaplı telli elektrik kablolarını kesmeyin.**
Buna uyulmaması kesici bıçağın elektrik kablosuna sıkışmasına ve kilitlemesine neden olabilir.

Pil takımının kullanımıyla ilgili önlemler

- Terminallere asla kısa devre yaptırmayın.
- Pil takımını su, yağ ve organik solventlerden uzak tutun.
- Pil takımını sökmeyin veya modifiye etmeyin.
- Pil takımını bertaraf edildiğinde ateşe maruz bırakmayın veya genel atık olarak atmayın. (Geri dönüşümü teşvik ediyoruz.)
- Pil takımını fırlatmayın ve düşürmeyin.
- Pil takımının sıcaklığın 40°C veya daha yüksek olduğu bir yerde uzun süre bırakmayın.
- Arızaya yol açabileceğinden, terminalin kirlenmesine veya tozlanmasına neden olarak pile kısa devre yaptırmayın. Terminal paslanmışsa pil takımını kullanmayın.
- Pil takımının ömrünü uzatmak için çıkışı durduran koruyucu bir fonksiyon donatılmıştır. Bu aletin kullanımı sırasında çalıştırma anahtarına basılsa bile kalan pil seviyesi düşük olduğunda motor durabilir. Ancak bu olay arızadan değil koruyucu fonksiyondan kaynaklanmaktadır. Böyle bir durumda pili derhal şarj edin.

Pil şarj cihazı için önlemler

- Bu pil şarj cihazında, pilin şarj durumunu gösteren bir gösterge lambası (çok renkli LED) bulunmaktadır.
- Arızaya yol açabileceğinden, terminalin üzerinin kirlenmesine veya tozlanmasına neden olarak şarj cihazına kısa devre yaptırmayın. Metal terminal paslanmışsa pil şarj cihazını kullanmayın.

UYARI SEMBOLLERİ



Aleti kullanmadan önce bu kılavuzdaki talimatları dikkatlice okuyun.



Yüksek ısı uyarı alanı

Motoru korumak için yüksek ısı uyarı alanı ısınırsa kullanmayın. (Bkz. sayfa 162)



Çalışma sırasında dokunmayın.

Semboller



Sadece AB ülkeleri için Ekipmanda tehlikeli bileşenler bulunduğundan dolayı atık elektrikli ve elektronik ekipmanlar, aküler ve bataryalar çevre ve insan sağlığı üzerinde olumsuz etkiye yol açabilir. Elektrikli ve elektronik cihazları veya bataryaları evsel atıklarla birlikte atmayın!

Atık elektrikli ve elektronik ekipmanlar ile akümülatörler ve bataryalar hakkındaki Avrupa Direktifi ve söz konusu direktifin ulusal yasalara uyarlanması gereğince atık elektrikli ekipmanlar, bataryalar ve akümülatörler ayrı olarak depolanmalı ve çevre koruma hakkındaki mevzuata uygun olarak faaliyet gösteren ayrı bir kentsel atık toplama noktasına teslim edilmelidir.

Bu husus, ekipmanın üzerine yerleştirilmiş üzerinde çarpı işareti bulunan tekerlekli çöp kovası simgesi ile belirtilmiştir.

Gürültü

Tipik A-ağırlıklı gürültü düzeyi (EN62841-1 standardına göre belirlenen):

Ses basınç seviyesi (K=3 dB (A)): 69,5 dB (A)

Ses gücü seviyesi (K=3 dB (A)): 78,1 dB (A)

NOT: Beyan edilen gürültü emisyonu değer(ler)i bir standart test yöntemine uygun şekilde ölçülmüştür ve bir aleti bir başkasıyla karşılaştırmak için kullanılabilir.

NOT: Beyan edilen gürültü emisyonu değer(ler)i bir ön maruz kalma değerlendirmesi olarak da kullanılabilir.

⚠UYARI: Kulak koruyucuları takın.

⚠UYARI: Elektrikli aletin gerçek kullanımı sırasındaki gürültü emisyonu, aletin kullanım biçimlerine, özellikle işlenen iş parçasının türüne bağlı olarak beyan edilen değer(ler)den farklı olabilir.

⚠UYARI: Gerçek kullanım koşullarındaki tahmini maruziyeti baz alan, operatörü koruyacak güvenlik önlemlerini mutlaka belirleyin (çalışma döngüsü içerisinde aletin kapalı olduğu ve aktif durumda olmasının yanı sıra boşta çalıştığı zamanlar gibi, bütün zaman dilimleri göz önünde bulundurarak).

Titreşim

Titreşim toplam değeri (üç eksenli vektör toplamı) (EN62841-1 standardına göre hesaplanan):

Tutma kolu: 0,3 m/s²

Belirsizlik (K): 1,5 m/s²

NOT: Beyan edilen titreşim toplam değer(ler)i bir standart test yöntemine uygun şekilde ölçülmüştür ve bir aleti bir başkasıyla karşılaştırmak için kullanılabilir.

NOT: Beyan edilen titreşim toplam değer(ler)i bir ön maruz kalma değerlendirmesi olarak da kullanılabilir.

⚠UYARI: Elektrikli aletin gerçek kullanımı sırasındaki titreşim emisyonu, aletin kullanım biçimlerine, özellikle işlenen iş parçasının türüne bağlı olarak beyan edilen değer(ler)den farklı olabilir.

⚠UYARI: Gerçek kullanım koşullarındaki tahmini maruziyeti baz alan, operatörü koruyacak güvenlik önlemlerini mutlaka belirleyin (çalışma döngüsü içerisinde aletin kapalı olduğu ve aktif durumda olmasının yanı sıra boşta çalıştığı zamanlar gibi, bütün zaman dilimleri göz önünde bulundurarak).

Geçerli pil kartuşu ve şarj cihazı

Pil kartuşu	BL1815N / BL1820B / BL1830B / BL1840B / BL1850B / BL1860B
Şarj cihazı	DC18RC / DC18RD / DC18RE / DC18SD / DC18SE / DC18SF / DC18SH / DC18WC

- Yukarıda listelenen pil kartuşlarından ve şarj cihazlarından bazıları ikamet ettiğiniz bölgeye bağlı olarak mevcut olmayabilir.
- Pili şarj etmek için lütfen pil şarj cihazının kullanım kılavuzunu okuyun.

⚠UYARI: Yalnızca yukarıda listelenen pil kartuşlarını ve şarj cihazlarını kullanın. Başka pil kartuşlarının ve şarj cihazlarının kullanılması yaralanmaya ve/veya yangına neden olabilir.

Pil kartuşu için önemli güvenlik talimatları

1. **Pil kartuşunu kullanmadan önce, (1) pil şarj cihazı, (2) pil ve (3) pili kullanan ürün üzerindeki tüm talimatları ve uyarı işaretlerini okuyun.**
2. **Pil kartuşunu sökmeyin veya modifiye etmeyin.** Yangına, aşırı ısınmaya veya patlamaya neden olabilir.
3. **Çalışma süresi aşırı derecede kısalmışsa, çalışmayı derhal durdurun.** Aşırı ısınma, olası yangınlar ve hatta patlama riskiyle sonuçlanabilir.
4. **Elektrolit gözlerinize kaçarsa, temiz suyla yıkayın ve hemen tıbbi yardım isteyin.** Görme yeteneğinizi kaybetmenize neden olabilir.
5. **Pil kartuşunu kısa devre yaptırmayın:**
 - (1) Terminallere herhangi bir iletken malzemeye dokunmayın.
 - (2) Pil kartuşunu çivi, bozuk para vb. gibi diğer metal nesnelere birlikte bir kaptaki saklamaktan kaçının.
 - (3) Pil kartuşunu suya veya yağmura maruz bırakmayın.
6. **Kısa devre, büyük bir akım akışına, aşırı ısınmaya, olası yangınlara ve hatta arızaya neden olabilir.**
6. **Aleti ve pil kartuşunu sıcaklığın 50°C'ye (122°F) ulaşabileceği veya bu sıcaklığı aşabileceği yerlerde saklamayın ve kullanmayın.**
7. **Ciddi şekilde hasar görmüş veya tamamen eskimiş olsa bile pil kartuşunu yakmayın.** Pil kartuşu ateşte patlayabilir.
8. **Pil kartuşunu çivilemeyin, kesmeyin, ezmeyin, atmayın, düşürmeyin veya sert bir nesneye çarpmayın.** Bunu yapmak yangına, aşırı ısınmaya veya patlamaya neden olabilir.
9. **Hasarlı bir pili kullanmayın.**
10. **İçerdiği lityum iyon piller Tehlikeli Mallar Mevzuatı gerekliliklerine tabidir.**

Örneğin üçüncü şahıslar, nakliye agenteleri tarafından yapılan ticari taşımalarda, ambalajlama ve etiketlemeyle ilgili özel gerekliliklere uyulmalıdır. Sevk edilecek ürünün hazırlanması için tehlikeli madde uzmanına danışılması gerekmektedir. Lütfen muhtemelen daha ayrıntılı ulusal yönetmelikleri de dikkate alın.

Açık kontakları bantlayın veya maskeleyin ve pili, ambalajın içinde hareket edemeyecek şekilde paketleyin.
11. **Pil kartuşunu imha ederken, aletten çıkarın ve güvenli bir yere atın.** Pilin atılmasıyla ilgili yerel yönetmeliklere uyun.
12. **Pilleri yalnızca Makita tarafından belirtilen ürünlerle kullanın.** Pillerin uyumlu olmayan ürünlere takılması yangına, aşırı ısınmaya, patlamaya veya elektrolit sızıntısına neden olabilir.
13. **Alet uzun süre kullanılmayacaksa pilin aletten çıkarılması gerekir.**
14. **Kullanım sırasında ve sonrasında pil kartuşu ısınabilir ve bu da yangınlara veya düşük sıcaklıktaki yangınlara neden olabilir.** Sıcak pil kartuşlarını kullanırken dikkatli olun.
15. **Kullanımdan hemen sonra aletin terminaline dokunmayın; yangınlara neden olacak kadar ısınabilir.**
16. **Pil kartuşunun terminallerine, deliklerine ve oyuklarına talaş, toz veya toprak sıkışmasına izin vermeyin.** Aletin veya pil kartuşunun ısınmasına, alev almasına, patlamasına veya arızalanmasına yol açarak yangınlara veya kişisel yaralanmalara yol açabilir.
17. **Alet, yüksek voltajlı elektrik hatlarının yakınında çalışmayı desteklemediği sürece, pil kartuşunu yüksek voltajlı elektrik hatlarının yakınında kullanmayın.** Bu, aletin veya pil kartuşunun arızalanmasına veya bozulmasına neden olabilir.

18. Pili çocuklardan uzak tutun.

BU TALİMATLARI SAKLAYIN.

⚠ DİKKAT:

• **Yalnızca orijinal Makita pillerini kullanın.**

Orijinal olmayan Makita pillerinin veya değiştirilmiş pillerin kullanılması pilin patlamasına, yangına, kişisel yaralanmaya ve hasara neden olabilir. Bu aynı zamanda Makita aletinin ve şarj cihazının Makita garantisini de geçersiz kılacaktır.

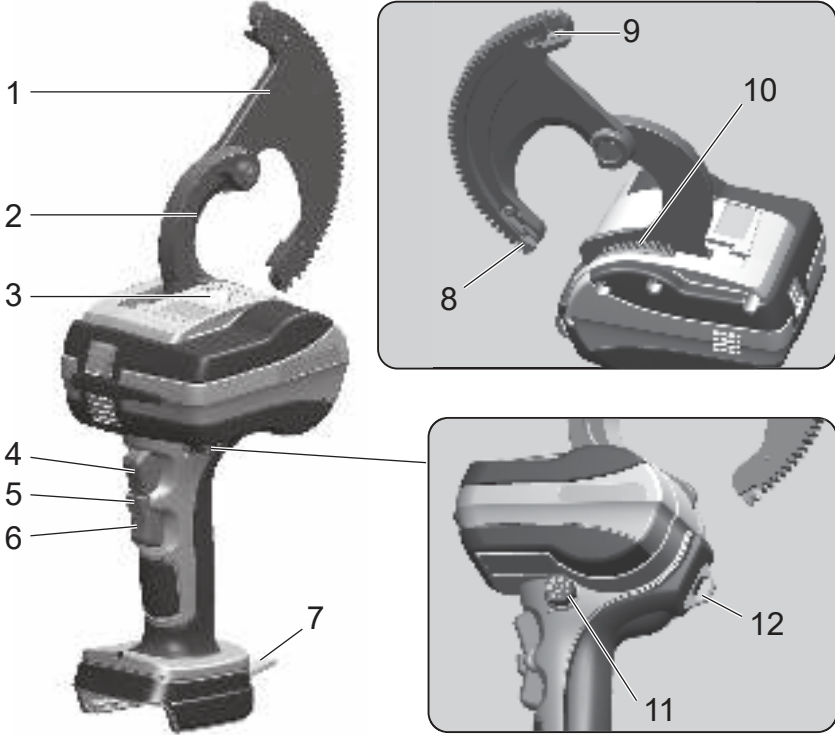
Maksimum pil ömrünü korumaya yönelik ipuçları

1. **Pil kartuşunu tamamen boşalmadan önce şarj edin. Aletin gücünün azaldığını fark ettiğinizde daima aletin çalışmasını durdurun ve pil kartuşunu şarj edin.**
2. **Tamamen şarj edilmiş bir pil kartuşunu asla şarj etmeyin. Aşırı şarj, pilin servis ömrünü kısaltır.**
3. **Pil kartuşunu oda sıcaklığında 10°C - 40°C (50°F - 104°F) şarj edin. Sıcak pil kartuşunu şarj etmeden önce soğumasını bekleyin.**
4. **Pil kartuşunu kullanmadığınızda aletten veya şarj cihazından çıkarın.**
5. **Uzun bir süre (altı aydan fazla) kullanmayacaksanız pil kartuşunu şarj edin.**

İsimler ve aksesuarlar

DTC100

Akülü kablo kesici



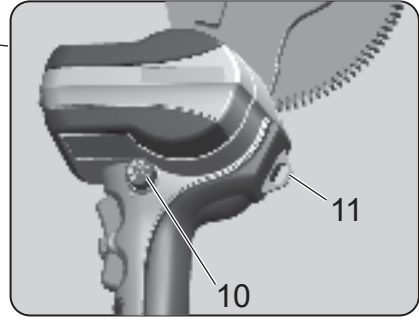
Taşıma çantası



* Bu alet Makita 18V lityum iyon pil için tasarlanmıştır.

1	Hareketli bıçak	7	Askı kayışı
2	Sabit bıçak	8	Dişli kılavuzu (A)
3	LED çalışma ışığı	9	Dişli kılavuzu (B)
4	İleri mod anahtarı	10	Fırça (toz almak için)
5	Anahtar kilidi	11	Kadran düğmesi
6	Geri mod anahtarı	12	Asma halkası

Akülü kablo kesici



Taşıma çantası



* Bu alet Makita 18V lityum iyon pil için tasarlanmıştır.

1	Hareketli bıçak	7	Askı kayışı
2	Sabit bıçak	8	Hareketli bıçak plakası
3	LED çalışma ışığı	9	Fırça (toz almak için)
4	İleri mod anahtarı	10	Kadran düğmesi
5	Anahtar kilidi	11	Asma halkası
6	Geri mod anahtarı	—	—

Pil

- Satın alındığında, pilin yeterince şarj edilmemesi nedeniyle pil koruma fonksiyonu devreye girmiş olabilir. (Lütfen dikkatli olun çünkü anahtarı çalıştırırsanız bu ürün çalışmaya başlayabilir.) Kullanmadan önce pili hızlı şarj cihazıyla doğru şekilde şarj edin.
- Ürünü kullanmadığınızda pil kapağını takın. Pilin su ve tozdan korunmasına yardımcı olacaktır.
- Ürünü uzun süre kullanmayacaksanız pili çıkarılmış halde saklayın.

Pil ömrünü uzatmak için

- Aletin gücünün zayıfladığını hissettiğinizde, kullanmayı bırakın ve pili şarj edin.
- Tamamen şarj edilmiş bir pili şarj etmeyin.
- Pili 10°C ila 40°C ortam sıcaklığı aralığında şarj edin.
- Pil, örneğin kullanımdan hemen sonra ısındığında, soğutmak ve şarj etmek için şarj cihazına yerleştiğinizi öneririz.
- Lityum iyon pil uzun bir süre (en az 6 ay) kullanılmıyorsa, şarj edilmesini ve ardından saklanmasını öneririz.

Pil toplama

- Kullanılmış piller geri dönüşüm için toplanır. Lütfen pili, ürünü satın aldığınız mağazaya veya Makita satış ofisine götürün.



Li-ion

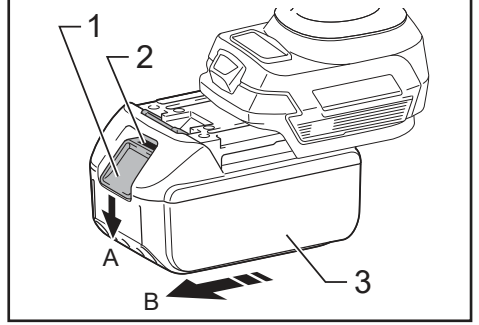
Lityum iyon pili
geri dönüştürün

Pilin takılması ve çıkarılması

⚠UYARI:

Pili ürüne doğru şekilde takın. Düğmenin üst kısmındaki kırmızı kısım görünüyorsa pil yerine tam olarak kilitlenmemiştir. Pili, kırmızı kısmın tamamı görünmeyene kadar sıkıca takın.

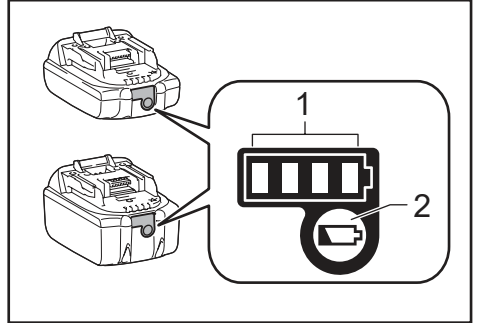
- Pili bu üründen çıkarmak için, A. pilin ön tarafındaki düğmeyi basılı tutun ve B. pili kaydırarak çıkarın.
- Pili takarken, pili üründeki oyuklarla hizalayın ve ardından işlemi tersten uygulayarak sonuna kadar takın. Bu sırada düğmenin üst kısmındaki kırmızı kısım görünüyorsa pil yerine tam olarak kilitlenmemiştir. Pili, kırmızı kısmın tamamı görünmeyene kadar düzgün bir şekilde takın.



► 1. Düğme 2. Kırmızı kısım 3. Pil

Kalan pil kapasitesinin gösterilmesi

Yalnızca göstergeli pil kartuşları için



► 1. Gösterge lambaları 2. Kontrol düğmesi

Kalan pil kapasitesini belirtmek için pil kartuşundaki kontrol düğmesine basın. Gösterge lambaları birkaç saniyelikliğine yanar.

Gösterge lambaları			Kalan kapasite
Yanar	Kapalıdır	Yanıp söner	
■ ■ ■ ■			%75 ila %100
■ ■ ■ □			%50 ila %75
■ ■ □ □			%25 ila %50
■ □ □ □			%0 ila %25
▬ □ □ □			Pili şarj edin.
■ ■ □ □			Pil bozulmuş olabilir.
□ □ ■ ■			

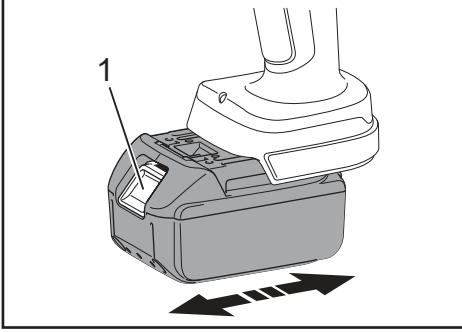
NOT: Kullanım koşullarına ve ortam sıcaklığına bağlı olarak gösterge, gerçek kapasiteden biraz farklı olabilir.

NOT: Pil koruma sistemi çalıştığında ilk (en soldaki) gösterge lambası yanıp sönecektir.

Aletin kullanılması

Pil takımının takılması

1. Mandala basarken pil takımını dışarı çekin. Pil takımını değiştirmek için yeni takımı sıkıca yerine itin.
2. Pil takımını kaydirdikten sonra yavaşça çekerek yerine sağlam bir şekilde oturup oturmadığını kontrol edin. Pili çekerken mandala basmayın.

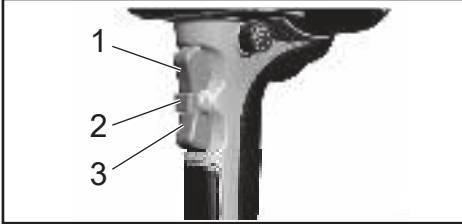


► 1. Mandala

Anahtar işlemleri

Güvenlik amacıyla alet iki işlemlerli bir anahtar sistemine sahiptir.

İleri mod (kesme) ve geri mod (geri) anahtarını etkinleştirmek için önce anahtar kilidine basın ve ardından ileri/geri mod anahtarına basın.



► 1. İleri mod anahtarı 2. Anahtar kilidi
3. Geri mod anahtarı

Çalışmaya yardımcı LED lambası

Bu alet, kesici bıçağın çevresini aydınlatan bir LED lambaya sahiptir. İleri veya geri anahtarı açıldığında yanar ve anahtar bırakıldıktan yaklaşık 10 saniye sonra söner.

⚠ DİKKAT:

- Doğrudan LED lambaya bakmayın. LED lambaya uzun süre bakmak gözlerinize zarar verebilir.

Düşük pil alarmı

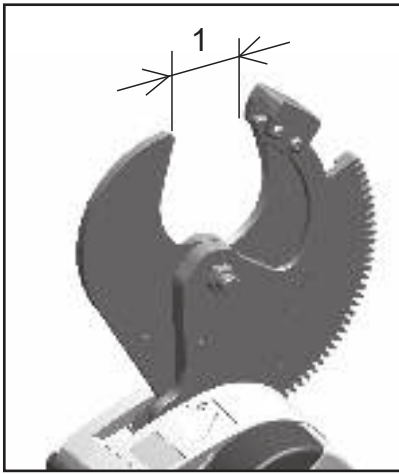
Pilin kalan kapasitesi düşüğe ileri mod anahtarı açıldığında LED ışığı alarm olarak 5 kez yanıp söner. Pili şarj edin veya yedek pille değiştirin.

Kesim işlemleri

1. [DTC100]
Hareketli bıçağı açmak için anahtarı etkinleştirin.
Hareketli bıçağı nötr konuma ayarlamak için ileri ve geri mod anahtarlarını kullanın.

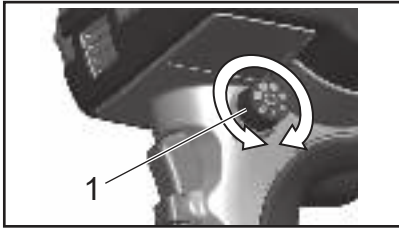


1. [DTC101]
Açıklığın yeterli olduğundan emin olmak.
Açıklığın kablo yerleştirmeye yetecek kadar geniş olduğundan emin olun. Açıklık çok darsa açmak için geri mod anahtarına basın.



► 1. Açıklık

2. Otomatik geri dönüşü etkinleştirmek veya devre dışı bırakmak için kadran düğmesinin kullanılması
Otomatik geri dönüşü etkinleştirmek için kadranı istediğiniz konuma getirin veya devre dışı bırakmak için kapalı konuma getirin.

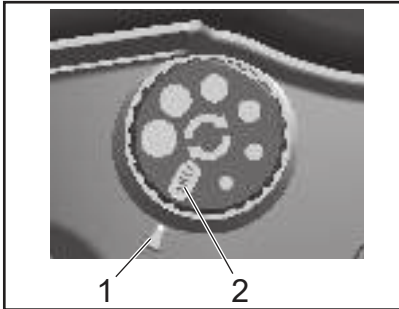


► 1. Kadran düğmesi

Otomatik geri dönüş fonksiyonu

Otomatik geri dönüş etkinleştirildiğinde, motor bir kabloyu kestikten sonra fren yapar. İleri mod anahtarı serbest bırakıldığında hareketli bıçak, kadran düğmesiyle ayarlandığı şekilde otomatik olarak geri döner.

Açıklık 6 seviye arasında ayarlanabilir. (Açıklık miktarı referans amaçlı verilmiştir.)



► 1. Açıklık miktarı 2. Kapalı

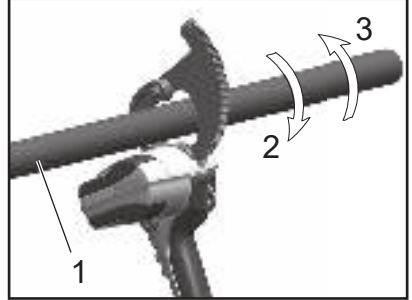
⚠DİKKAT:

- İleri mod anahtarı kesme işleminin tamamlanmasından önce serbest bırakılırsa otomatik geri dönüş etkinleşmez.
- Otomatik geri dönüş, 60 mm² veya daha ince olan elektrik kablosuyla etkinleşmez.
- Açıklık çapı kalan pil voltajına bağlı olarak farklılık gösterebilir.

3. [DTC100]

Elektrik kablosunun hareketli bıçak açıklığına takılması

Kesilecek kabloyu sabit bıçağın üzerine yerleştirin ve hareketli bıçağı kablunun etrafına kapatın. Dişlinin dişleri ünitenin tahrik mekanizmasına geçecek şekilde hareketli bıçağı elle hareket ettirin.

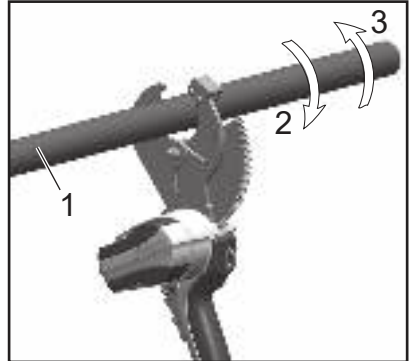


► 1. Kablo 2. Kesme dönüşü
3. Ters dönüş

3. [DTC101]

Elektrik kablosunun hareketli bıçak açıklığına takılması

Kesilecek kabloyu bıçak açıklığına ve sabit bıçak tarafına yerleştirin.



► 1. Kablo 2. Kesme dönüşü
3. Ters dönüş

4. İleri mod anahtarının çalıştırılması ve elektrik kablosunun kesilmesi

Kesme tamamlanana kadar ileri mod anahtarını basılı tutun.

5. Kesimden sonra atıkların giderilmesi.

Kesmeyi bitirdikten sonra bıçak üzerindeki kırıntıları veya kalıntıları temizleyin.

⚠️ DİKKAT:

• Uzun süreli çalışma

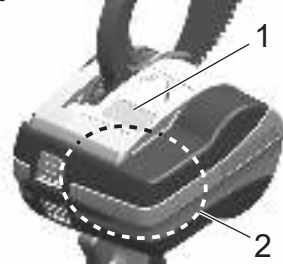
Motoru korumak için, uyarı etiketinin etrafındaki alan ısındığında aleti kullanmayı bırakın. Aleti kullanmaya devam etmek için, aleti serin ve iyi havalandırılan bir yerde, soğuyuncaya kadar 50 dakika bekletin.

• Aşırı akım/aşırı yüklenme koruması, alet kesme kapasitesi dahilinde çalıştırıldığında bile etkinleştirilebilir.

Çalışma sıcaklığı, kablo uzunluğu, bükülme ve diğer faktörler aletin performansını etkiler.

• LED ışığı 6 kez veya daha fazla yanıp sönüyorsa bu bir devre kartı hatası göstergesidir. Lütfen satıcınıza başvurun.

DTC100



DTC101



► 1. Uyarı Etiketi 2. Yüksek ısı uyarı alanı

⚠️ DİKKAT:

- DTC100 ve DTC101 yalnızca bakır ve alüminyum kablolar içindir. Bu aletleri çelik, ACSR veya diğer çelik malzemeler için kullanmayın.

Aşırı akım koruma fonksiyonu

Belirtilenin dışında kablo kesilmesi nedeniyle aşırı yük akımı oluşması durumunda aşırı akım koruma fonksiyonu devreye girer ve motoru durdurur. Yeniden çalıştırabilmek için ileri mod anahtarını bırakın.

Yedek parçalarla değiştirme (DTC100)

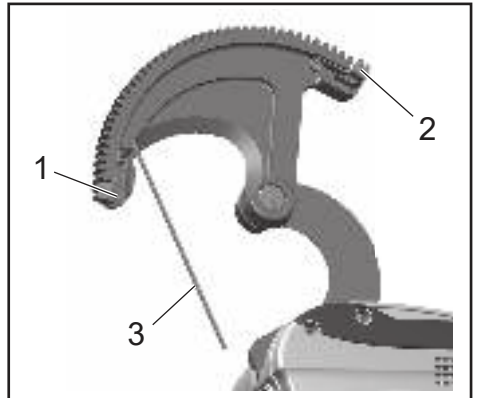
Dişli kılavuzunu kendiniz değiştirmek için aşağıdaki prosedürü izleyin.

⚠️ DİKKAT:

- Dişli kılavuzunu değiştirmeden önce pil takımını ana üniteden çıkardığınızdan emin olun.
- Dişli kılavuzu hasarlıysa veya anormal bir ses çıkarıyorsa derhal değiştirin. Ürünü hasarlı bir dişli kılavuzuyla kullanmaya devam etmek, iç dişlilerin hasar görmesine neden olabilir.

Dişli kılavuzunun değiştirilmesi

1. Dişli kılavuzunun çıkarılması
Altıgen delikli civatayı (M3 × 3) sökmek için altıgen anahtar kullanın ve dişli kılavuzunu çıkarın.
2. Dişli kılavuzunun takılması
Yeni dişli kılavuzunu takın ve civatayı iyice sıkın.



► 1. Dişli kılavuz (A) 2. Dişli kılavuz (B)
3. Altıgen anahtar

Yedek parçalarla deęiřtirme (DTC101)

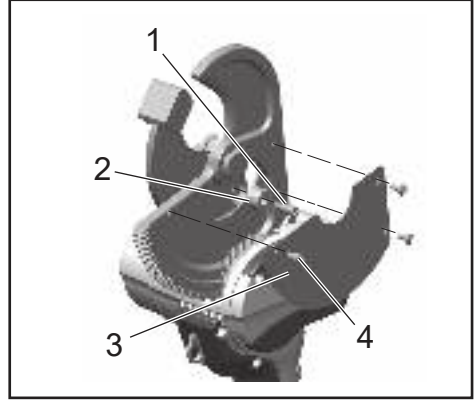
Durdurucuyu kendiniz deęiřtirmek için ařaęıdaki prosedürü izleyin.

⚠ DİKKAT:

- Durdurucuyu deęiřtirmeden önce pil takımını ana üniteden çıkardığınızdan emin olun.

Durdurucunun deęiřtirilmesi

1. Yuvarlak bařlı yıldız vidaları, plakayı ve yarım diř cıvatayı (37) sökün, ardından durdurucuyu çıkarın.
2. Yeni durdurucuyu yarım diř cıvatayla takın, vida kilitleme yapıřtırıcısını vidaya uygulayın ve ardından tamamen sıkın.
3. Plakayı takın ve yuvarlak bařlı yıldız vidaları vidalayın.

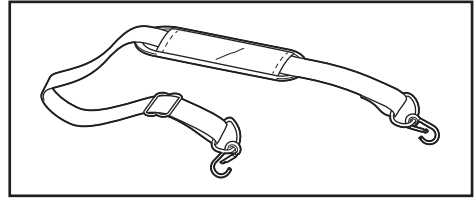


- 1. Yarım diř cıvata (37) 2. Durdurucu 3. Plaka
4. Yuvarlak bařlı yıldız vidalar

İsteęe baęlı aksesuarlar

• Omuz askısı (161347-8)

Bu omuz askısı, bu aletin askı kayıřına baęlanarak kullanılır.



Bakım/Kontrol

- Günlük bakımın/kontrolün ihmal edilmesinin aletin arızalanmasına neden olabileceğini unutmayın.
- Aletin düzgün çalıřması ve paslanmayı önlemek için lütfen aleti nemli bir ortamda saklamaktan kaçının.
- Alet normal kullanım sırasında hasar görürse (10.000 veya daha fazla işlem, 1.000 veya daha fazla kesim), kullanım ömrünün sonuna ulařtıęı için yalnızca hasarlı parçayı deęiřtirdikten sonra çalıřmaya devam etmeyin.
- Reçine parçası kirlendiğinde, silmek için sabunlu suyla nemlendirilmiş yumuřak bir bez kullanın.

- Pil takımı tek başına saklandığında, kısa devreyi önlemek için aksesuar terminal kapaęını terminalin üzerine koyduđunuzdan emin olun.
- Güvenlik kontrolü için aleti yaklaşık iki yılda bir üreticiye göndermenizi öneririz (ücret alınır). Ayrıntılar için satıcınıza bařvurun.

Özellikler

Akülü kablo kesici	DTC100	DTC101
Maksimum kesilebilir çap	Yalnızca demir içermeyen malzemeler (AL veya Cu) φ50 mm (Cu Tel φ30 mm / Al Tel φ38 mm)	
Elektrik motoru	DC motoru	
Boyutlar	117 (D) × 320 (Y) × 197 (G) (mm)	117 (D) × 380 (Y) × 189 (G) (mm)
Ağırlık	2,2 kg	2,9 kg

⚠ DİKKAT:

- DTC100 ve DTC101 yalnızca bakır ve alüminyum kablolar içindir. Bu aletleri çelik, ACSR veya diğer çelik malzemeler için kullanmayın.

Uygunluk Bildirimleri

Yalnızca Avrupa ülkeleri için

Uygunluk bildirimleri bu kullanım kılavuzunun Ek A'sında yer almaktadır.

⚠ VARNING: Läs och förstå alla instruktioner och all säkerhetsinformation i användarhandboken och bruksanvisningen. Användning för ej avsedda ändamål kan leda till allvarlig personskada eller dödsfall.

- Tack för ditt köp av vår batteridrivna kabelklippare.
- Läs denna bruksanvisning noggrant innan du försöker använda utrustningen. Förvara bruksanvisning på en lättillgänglig plats efter att du läst den.
- **Beskrivning**
De mekaniska klipparna är batteridrivna klippare utformade för att klippa av kablar som används i industrin idag.

Säkerhetsföreskrifter

⚠ VARNING: Läs alla säkerhetsvarningar och alla instruktioner. Underlåtenhet att följa varningarna och instruktionerna kan leda till elektriska stötar, brand och/eller allvarliga personskador.

Spara alla varningar och instruktioner för framtida referens.

⚠ VARNING: Användaren kan dödas eller skadas allvarligt om denna produkt missbrukas.

1) Säkerhet i arbetsområdet

- a) Håll arbetsområdet rent och väl upplyst. Områden med skrap eller dålig belysning inbjuder till olyckor.
- b) Använd inte elverktyg i explosiva områden, som till exempel i närheten av lättantändliga vätskor, gaser eller damm. Elverktyg skapar gnistor som kan antända dammet eller ångorna.
- c) Håll barn och åskådare på avstånd när du använder ett elverktyg. Om du blir distraherad kan du förlora kontrollen.

2) Elsäkerhet

- a) Elverktygets stickkontakt måste passa i uttaget. Modifiera inte kontakten på något sätt. Använd inte adapterar tillsammans med jordade elverktyg. Stickkontakter som inte är modifierade och uttag som passar minskar risken för elstötter.
- b) Undvik kroppskontakt med jordade ytor som till exempel rör, element, spisar och kylskåp. Det finns en ökad risk för elstötter om din kropp är jordad.
- c) Utsätt inte elverktyget för regn eller fukt. Vatten som kommer in i elverktyget ökar risken för elstötter.
- d) Skada inte sladden. Använd aldrig sladden när du bär, drar eller kopplar från elverktyget.
Håll sladden borta från värme, olja, vassa kanter eller rörliga delar. Skadade eller intrasslade sladdar ökar risken för elstötter.
- e) Använd endast särskilda förlängningssladdar avsedda för utomhusbruk vid arbete utomhus. Om en sladd för utomhusbruk används minskar risken för elstötter.

- f) Om elverktyget måste användas på fuktiga platser, använd strömmatning via en jordfelsbrytare. Användning av en jordfelsbrytare minskar risken för elektriska stötar.

3) Allmän säkerhet

- a) Var hela tiden vaksam, koncentrera dig på det du gör och använd sunt förnuft när du använder elverktyget.
Använd inte ett elverktyg när du är trött eller påverkad av droger, alkohol eller mediciner. Ett ögonblicks ouppmärksamhet vid användning av elverktyget kan resultera i allvarliga personskador.
- b) Använd personlig skyddsutrustning. Använd alltid ögonskydd. Skyddsutrustning som t.ex. dammask, halkfria skor, skyddshjälm och hörselskydd som används under lämpliga förhållanden minskar risken för personskador.
- c) Förhindra oavsiktlig start. Säkerställ att avtryckaren är i avstängt läge innan verktyget ansluts till elnätet och/eller till batteriet, plockas upp eller bärs. Att bära elverktyg med fingrarna på avtryckaren eller förse elverktyget med ström när avtryckaren är intryckt inbjuder till olyckor.
- d) Ta bort inställningsnycklar eller skiftnycklar innan elverktyget startas. En skiftnyckel eller inställningsnyckel som sitter på en roterande del av elverktyget kan resultera i personskador.
- e) Sträck dig inte för långt. Stå alltid stabilt och ha god balans hela tiden. På så vis får du bättre kontroll över elverktyget i oväntade situationer.
- f) Klä dig rätt. Bär inte löst sittande kläder eller smycken. Håll hår, kläder och handskar på avstånd från rörliga delar. Löst sittande kläder, smycken eller långt hår kan fastna i rörliga delar.
- g) Om enheter för dammsugning tillhandahålls ska du tillse att denna utrustning är ansluten och används på rätt sätt. Användning av dammuppsamling kan minska dammrelaterade risker.
- h) Låt inte förtrogenhet från frekvent användning av elverktyg låta dig bli likgiltig och ignorera verktygets säkerhetsprinciper. En oförsiktig åtgärd kan på ett ögonblick leda till allvarliga skador.

4) Användning och underhåll av elverktyget

- a) Tryck inte hårt med elverktyget. Använd rätt elverktyg för din arbetsuppgift. Rätt elverktyg som används på avsett sätt gör jobbet bättre och säkrare.
- b) Använd inte elverktyget om det inte går slå på och stänga av avtryckaren. Elverktyg som inte går att manövrera med avtryckaren är farliga och måste repareras.
- c) Koppla från kontakten från strömkällan och/eller ta ur batteripaketet från elverktyget innan du gör justeringar, byter tillbehör eller förvarar elverktyget. Sådana förebyggande säkerhetsåtgärder minskar risken för att elverktyget startas oavsiktligt.
- d) Förvara elverktyg som inte används utom räckhåll för barn och låt inte personer som inte är bekanta med elverktyget eller denna bruksanvisning använda elverktyget. Elverktyg är farliga i händerna på utbildade användare.
- e) Underhåll elverktyg och tillbehör. Kontrollera efter misspassning eller om det finns kärvande delar, skadade delar eller andra förhållanden som kan inverka negativt på användningen av elverktyget. Om elverktyget är skadat, se till att få det reparerat före användning. Många olyckor orsakas av dåligt underhållna elverktyg.
- f) Håll klippverktygen skarpa och rena. Ett väl underhållet klippverktyg med vass egg minskar risken för att det fastnar och är enklare att manövrera.
- g) Använd elverktyget, tillbehör och verktygsbits etc. i enlighet med dessa instruktioner, med hänsyn till arbetsförhållanden och det arbete som ska utföras. Användning av elverktyget för annat arbete än vad det är avsett för kan leda till en farlig situation.
- h) Håll handtags- och greppytorna torra, rena och fria från olja och fett. Håll handtag och greppytorna mjöliggöra inte säker användning och kontroll av verktyget vid oväntade situationer.

5) Användning och underhåll av batteriet

- a) Ladda endast med den batteriladdare som angivits av tillverkaren. En laddare som passar en viss typ av batteripaket kan skapa risk för brand när den används tillsammans med ett annat batteripaket.
- b) Använd endast elverktyg tillsammans med specifik angivna batterikassetter. Användningen av andra batterier kan skapa risk för personskada och brand.
- c) När batteriet inte används ska det hållas borta från andra metallföremål som till exempel gem, mynt, nycklar, spik, skruv eller andra små metallföremål som kan skapa anslutning från en pol till en annan. Kortslutning av batteripolerna kan orsaka brännskador eller brand.
- d) Under hårda förhållanden kan vätska spruta ut från batteriet; undvik kontakt. Spola med vatten om kontakt ändå råkar uppstå. Uppsök dessutom läkare om vätskan kommer i kontakt med ögonen. Vätska som sprutas ut från batteriet kan orsaka irritation eller brännskador.
- e) Använd inte ett batteripaket eller verktyg som är skadat eller modifierat. Skadade eller modifierade batterier kan uppföra sig opålitligt, vilket kan leda till brand, explosion eller risk för personskada.

- f) Utsätt inte batteripaket eller verktyg för eld eller höga temperaturer. Exponering till eld eller temperaturer över 130 °C kan leda till explosion.
- g) Följ alla laddningsinstruktioner och ladda inte batteripaketet eller verktyget utanför det temperaturområde som anges i instruktionerna. Felaktig laddning, eller laddning vid temperaturer utanför det angivna området, kan skada batteriet och öka risken för brand.

6) Service

- a) Lämna elverktyget till en behörig reparatör för service och underhåll och används endast originalreservdelar. Detta säkerställer att elverktygets säkerhet upprätthålls.
- b) Utför aldrig service på skadade batteripaket. Service på skadade batteripaket får endast utföras av tillverkaren eller auktoriserade serviceleverantörer.

Håll elverktyget i de isolerade greppytorna när du utför arbete där fästanelordningen kan komma i kontakt med en dold elkabel. Om fästanelordningen kommer i kontakt med en strömförande ledning blir verktygets metalldelar strömförande och kan ge operatören en elektrisk stöt.

Använd endast batteriladdare och batteripaket från Makita.

- Använd originalbatteripaket för detta verktyg.
- Ladda inte batteripaketet med en annan batteriladdare. Underlåtenhet att följa detta kan orsaka en bristning, vilket kan leda till en olycka eller personskada.

Ladda batteripaketet på rätt sätt.

- Använd en strömkälla med klassificeringsindikering för att ansluta batteriladdaren som medföljer denna produkt.
- Använd inte en likströmskälla eller en motordriven kraftgenerator för att ladda batteripaketet. Underlåtenhet att följa detta kan generera hög värme, vilket kan leda till brand.
- Ladda inte batteripaketet när temperaturen i omgivningen, batteripaketet eller batteriladdaren är lägre än 0 °C eller högre än 40 °C. Underlåtenhet att följa detta kan orsaka brott eller brand.
- Ladda batteripaketet på en väl ventilerad plats.
- Täck inte över batteripaketet med en trasa under laddning. Underlåtenhet att följa detta kan orsaka brott eller brand.
- Se till att koppla ur elkontakten efter laddning. Underlåtenhet att följa detta kan orsaka elektrisk stöt eller brand.

Peka inte klipparen mot någon person under användning.

- Underlåtenhet att följa detta kan leda till personskada.

Kortslut inte polerna på batteripaketet.

- När batteripaketet förvaras separat, se till att sätta på polskyddet på polen för att förhindra kortslutning. Se till att batteripolerna inte kortslogs av andra metalldelar som till exempel skruvar och spikar.

Utsätt inte batteripaketet för lågor.

- Underlåtenhet att följa detta kan orsaka brott eller läckage av farligt material.

Använd inte på strömförande delar.

- Verktöget är inte isolerat. Användning på elektrifierade platser kan leda till elektriska stötar.
- Rör inte elkontakten eller batteripaketet med våta händer. Underlåtenhet att följa detta kan leda till elektrisk stöt.

Ta bort batteripaketet från verktygskroppen under följande omständigheter.

- När det inte används eller för reparation
- Vid byte av reservdelar
- Andra tillfällen då man misstänker fara
Underlåtenhet att följa dessa varningar kan göra att verktyget slås på av misstag och orsakar personskador.

Oväntad start av verktyget.

- Se till att fingrarna är långt borta från avtryckaren när du flyttar verktyget. Öväntad start av verktyget kan leda till personskada.

Använd endast specificerade tillbehör.

- Använd inte andra tillbehör än de som anges i denna bruksanvisning eller vår katalog. Underlåtenhet att följa detta kan leda till olycka eller personskada.

Använd personlig skyddsutrustning.

- Använd skyddsglasögon under användning. Använd en skyddsmask om arbetet är dammig. Vid klippning kan små bitar spridas och orsaka personskada.

Titta inte direkt på LED-arbetslampan.

- Det kan försämra synen.

Ta hänsyn till arbetsmiljön.

- Använd inte verktyget, batteriladdaren eller batteripaketet i regn eller på en våt eller fuktig plats. Underlåtenhet att följa detta kan orsaka elektrisk stöt eller rökutveckling.
- Utför arbetet på en plats med tillräckligt ljus. Arbeta på en mörk plats kan orsaka en olycka.
- Använd inte och ladda inte batteriet i närheten av brandfarlig vätska eller gas. Underlåtenhet att följa detta kan orsaka explosion eller brand.

Håll alltid arbetsplatsen välstädad.

- Röriga platser och bänkar kan orsaka en olycka.

Håll barn borta från verktyget.

- Låt inte andra personer än användarna röra vid verktyget och sladden till batteriladdaren. Håll folk borta från arbetsplatsen. Underlåtenhet att följa detta kan orsaka personskador.

Förvara verktyget på rätt sätt när det inte används.

- Förvara verktyget på en plats där luftfuktigheten är låg och på en hög plats som barn inte kan nå eller en på plats som kan låsas. Underlåtenhet att följa detta kan orsaka en olycka.
- Förvara inte verktyget eller batteripaketet på en plats där temperaturen kan stiga till 40 °C eller högre (inuti en metallåda, i en bil på sommaren, etc.). Underlåtenhet att följa detta kan försämra batteripaketet, vilket kan leda till rökutveckling eller antändning.

Använd inte verktyget på ett sätt det inte är avsett för.

- Utför arbetet i enlighet med verktygets kapacitet för säker och effektiv användning. Användning av verktyget över dess kapacitet kan orsaka en olycka.
- Använd inte verktyget på ett sätt det inte är avsett för som gör att motorn spärras. Underlåtenhet att följa detta kan orsaka rökutveckling eller antändning.

Använd ett lämpligt verktyg för arbetet.

- Använd inte verktyget för andra arbetsuppgifter än de som anges. Underlåtenhet att följa detta kan orsaka personskador.

Utför arbetet med lämpliga kläder.

- Bär inte löst sittande kläder eller accessoarer som ett Halsband. De kan fastna i en rörlig del, roterande del eller liknande.
- När arbetet utförs utomhus rekommenderas användning av gummihandskar och halkfria skor. Hala handskar och skor kan orsaka personskador.
- Använd en keps eller ett hårskydd för att täcka håret om du har långt hår. Underlåtenhet att följa detta kan göra att håret fastnar i en rörlig del, roterande del eller liknande.

Använd inte verktyget med en onaturlig ställning.

- Stå alltid stabilt och ha god balans hela tiden. Om du inte följer detta kan du ramla, vilket kan leda till personskada.

Var uppmärksam under arbetet.

- När du använder verktyget, var försiktig med hanteringsmetoden, arbetssättet och omgivande omständigheter, och utför arbetet försiktigt. Underlåtenhet att följa detta kan orsaka en olycka eller personskada.
- Använd inte verktyget under påverkan av alkohol. Underlåtenhet att följa detta kan orsaka en olycka eller personskada.
- Använd inte verktyget när du är i dålig fysisk kondition. Underlåtenhet att följa detta kan orsaka en olycka eller personskada.

Hantera inte batteriladdarens sladd på ett varsamt sätt.

- Bär inte laddaren i sladden och dra inte i sladden för att koppla från den från uttaget.
- Håll sladden borta från värme, olja och vassa kanter.
- Se till att det inte går att trampa på eller snubbla över sladden på laddningsplatsen. Underlåtenhet att följa detta kan orsaka en elektrisk stöt eller kortslutning, vilket kan leda till antändning.

Använd en förlängningssladd lämpad för utomhusbruk.

- Om du använder verktyget utomhus ska du använda en förlängningssladd tillverkad av robust gummimantlad kabel.

Utför underhåll av verktyget försiktigt.

- Följ bruksanvisningen vid byte av reservdelar. Underlåtenhet att följa detta kan orsaka personskador.

- Inspektera regelbundet batteriladdarens sladd. Om sladden är skadad, kontakta en auktoriserat serviceverkstad för reparation. Underlåtenhet att följa detta kan orsaka en elektrisk stöt eller kortslutning, vilket kan leda till antändning.
- Inspektera regelbundet förlängningssladden om en sådan används. Byt ut sladden mot en ny om den är skadad. Underlåtenhet att följa detta kan orsaka en elektrisk stöt eller kortslutning, vilket kan leda till antändning.
- Håll alltid handtaget torrt och rent och håll det borta från olja och fett. Underlåtenhet att följa detta kan orsaka personskador.

Kontrollera efter skadade delar.

- Kontrollera att inget är skadat före användning. Bekräfta att verktyget fungerar normalt och att alla komponenter fungerar på rätt sätt.
- Kontrollera passningen på rörliga delar, att rörliga delar rör sig smidigt, om delar är skadade, montering och andra förhållanden som kan påverka funktionen.
- Använd inte en batteriladdare med skadad elkontakt eller sladd eller en batteriladdare som har tappats och skadats. Underlåtenhet att följa detta kan orsaka en elektrisk stöt eller kortslutning, vilket kan leda till antändning.
Om den är skadad ska den repareras på rätt sätt eller bytas ut av en auktoriserad serviceverkstad om inte annat anges i denna bruksanvisning. Defekta avtryckare ska bytas ut av en auktoriserad serviceverkstad. Använd inte verktyget om det inte går slå på och stänga av avtryckaren. Ett sådant verktyg kan fungera onormalt, vilket kan leda till personskada.

Kontakta en auktoriserad serviceverkstad för reparation.

- Ta inte isär, reparera eller modifiera huvudenheten, batteriladdaren eller batteripaketet. Underlåtenhet att följa detta kan orsaka antändning eller onormal drift, vilket kan leda till personskada.
- Begär inspektion eller reparation av verktyget om verktyget blir varmt eller om något onormalt upptäcks med verktyget.
- Detta verktyg är konstruerat i enlighet med relevanta säkerhetskrav. Försök inte modifiera denna produkt.
- Låt ett auktoriserat servicecenter reparera ditt verktyg. Reparationer får endast utföras av en behörig person som använder originalreservdelar; annars kan detta leda till avsevärd fara för användaren.

Försiktighetsåtgärder vid användning av den batteridrivna kabelklipparen

- Följ instruktionerna nedan när du använder detta verktyg:

Försiktighetsåtgärder för verktyget

- **Klipp aldrig över den maximala klippkapaciteten.**
Var försiktig, underlåtenhet att följa detta kan leda till personskada. (se sidan 180)
- **Rör inte vid skäregegen på de rörliga eller fasta bladen.**
Underlåtenhet att följa detta kan leda till personskada.
- **Klipp aldrig av strömförande ledningar (elektriska kablar som leder elektricitet).**
- **Utsätt inte verktyget för fall eller annan överdriven stöt.**
Den inre strukturen har noggrant tillverkats för att göra den kompakt och lätt, så den kanske inte fungerar korrekt om den utsätts för stötar.
- **Utsätt inte för regn.**
Det kan göra att bladet rostar, göra skäregegen slö eller leda till skador.
- **Klipp inte så att den extra längden är 50 mm eller mindre.**
Om den extra längden på CCP-kablar och andra kablar klipps mycket korta kan det göra att insidan av kabeln etc. klipps av.
- **Tryck inte i motsatt riktning mot klippriktningen.**
Klipp alltid materialet rakt av. Underlåtenhet att följa detta kan skada klippbladet.
- **Håll på säkert sätt.**
Underlåtenhet att följa detta kan leda till personskada.
- **Se till att ingen befinner sig under dig innan du använder verktyget på en hög plats.**
Underlåtenhet att följa detta kan leda till en olycka om material eller enheten tappas, etc.
- **Kontrollera att inget är onormalt före användning.**
Sprickor eller brott på klipparen kan skada den och leda till personskador.
- **Ta pauser under användning.**
Långvariga klipparbeten utan avbrott upprätthåller en förhöjd motortemperatur som kan överhetta motorn och batteripaketet, vilket leder till skador. Se till att ta pauser då och då under användning.
- **Låga omgivningstemperaturer (10 °C eller lägre) kan göra elkabeln styv, vilket gör den svår att klippa, även när den är inom klippkapaciteten.**
- **Rengör med luft etc. efter varje användning.**
Var noga med att förhindra att avklippt kabel och andra rester kommer in i enheten genom öppningen (rörlig knivdrivare).
- **Klipp inte av elektriska kablar med en tråddiameter på 1 mm.**
Underlåtenhet att följa detta kan leda till att klippbladet fastnar i elkabeln och fastnar.

Försiktighetsåtgärder vid användning av batteripaketet

- Kortslut aldrig polerna.
- Håll batteripaketet borta från vatten, olja och organiska lösningsmedel.
- Ta inte isär eller modifiera batteripaketet.
- Om batteripaketet kasseras, utsätt det inte för lågor och kassera det inte som allmänt avfall. (Vi främjar återvinning.)
- Kasta eller tappa inte batteripaketet.
- Lämna inte batteripaketet på en plats där temperaturen är 40 °C eller högre under en längre tid.
- Kortslut inte batteriet genom att placera smuts eller damm på polen, eftersom detta kommer att leda till funktionsfel. Använd inte batteripaketet om polen är korroderad.
- Batteripaketet är utrustat med en skyddsfunktion som stoppar utmatningen för att förlänga dess livslängd. Motorn kan stanna när den återstående batterinivån är låg även när avtryckaren är intryckt under användningen av detta verktyg. Detta är dock inte en felfunktion utan orsakas av skyddsfunktionen. Byt i så fall omedelbart ut batteriet.

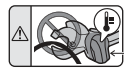
Försiktighetsåtgärder för batteriladdaren

- Denna batteriladdare har en indikatorlampa (flerfärgad lysdiod) som visar batteriets laddningstillstånd.
- Kortslut inte batteriladdaren genom att placera smuts eller damm i insättningsöppningen eftersom detta kommer att leda till funktionsfel. Använd inte batteriladdaren om metallplinten är korroderad.

VARNINGSSYMBOLER



Läs instruktionerna i denna bruksanvisning noggrant före användning av verktyget.



Varningsområde för hög värme

Skydda motorn genom att inte använda den om varningsområdet för hög värme blir varmt. (se sidan 178)



Rör inte vid under användning.

Symboler



Gäller endast inom EU
P.g.a. förekomsten av farliga komponenter i utrustningen kan avfall innehållande elektrisk och elektronisk utrustning, ackumulatörer och batterier ha negativ inverkan på miljön och människors hälsa. Kassera inte elektriska och elektroniska apparater eller batterier ihop med hushållsavfall!
I enlighet med EU-direktiven om avfall som utgörs av eller innehåller elektrisk och elektronisk utrustning och om batterier och ackumulatörer och förbrukade batterier och ackumulatörer, och dess införlivande i nationell lagstiftning, bör förbrukad elektrisk och elektronisk utrustning, batterier och ackumulatörer förvaras separat och transporteras till en särskild uppsamlingsplats för kommunalt avfall, som drivs i enlighet med regelverket för miljöskydd. Detta anges av symbolen med den överkryssade soptunnan på hjul som sitter på utrustningen.

Buller

Den normala bullernivån för A-belastning är bestämt enligt EN62841-1:

Ljudtrycksnivå (K=3 dB (A)): 69,5 dB (A)

Ljudeffektnivå (K=3 dB (A)): 78,1 dB (A)

OBS: Det deklarerade bullervärdet har uppmätts i enlighet med standardtestmetoden och kan användas för jämförandet av en maskin med en annan.

OBS: Det deklarerade bulleremissionsvärdet kan också användas i en preliminär bedömning av exponering för vibration.

⚠ VARNING: Använd hörselskydd.

⚠ VARNING: Bulleremissionen under faktisk användning av maskinen kan skilja sig från det deklarerade värdet, beroende på hur maskinen används och särskilt vilken typ av arbetsstycke som behandlas.

⚠ VARNING: Var noga med att identifiera säkerhetsåtgärder för att skydda användaren, vilka är grundade på en uppskattning av graden av exponering för vibrationer under de faktiska användningsförhållandena, (ta, förutom avtryckartiden, med alla delar av användarcykeln i beräkningen, som till exempel tiden då maskinen är avstängd och när den går på tomgång).

Vibration

Det totala vibrationsvärdet (treaxlig vektorsumma) bestämt enligt EN62841-1:

Handtag: 0,3 m/s²

Måttolerans (K): 1,5 m/s²

OBS: Det deklarerade totala vibrationsvärdet har uppmätts i enlighet med standardtestmetoden och kan användas för jämförandet av en maskin med en annan.

OBS: Det deklarerade totala vibrationsvärdet kan också användas i en preliminär bedömning av exponering för vibration.

⚠ VARNING: Vibrationsemissionen under faktisk användning av maskinen kan skilja sig från det deklarerade värdet, beroende på hur maskinen används och särskilt vilken typ av arbetsstycke som behandlas.

⚠ VARNING: Var noga med att identifiera säkerhetsåtgärder för att skydda användaren, vilka är grundade på en uppskattning av graden av exponering för vibrationer under de faktiska användningsförhållandena, (ta, förutom avtryckartiden, med alla delar av användarcykeln i beräkningen, som till exempel tiden då maskinen är avstängd och när den går på tomgång).

Tillgänglig batterikassett och laddare

Batterikassett	BL1815N / BL1820B / BL1830B / BL1840B / BL1850B / BL1860B
Laddare	DC18RC / DC18RD / DC18RE / DC18SD / DC18SE / DC18SF / DC18SH / DC18WC

- Vissa av batterikassetterna och laddarna i listan ovan kanske inte finns tillgängliga i din region.
- Ladda batteriet genom att läsa bruksanvisningen för batteriladdaren.

⚠VARNING: Använd endast de batterikassetter och laddare som anges ovan. Användning av andra batterikassetter och laddare kan orsaka personskador och/eller brand.

Viktiga säkerhetsanvisningar för batterikassetten

1. Innan batterikassetten används ska alla instruktioner och varningsmärken på (1) batteriladdaren, (2) batteriet och (3) produkten läsas.
2. Ta inte isär eller modifiera batterikassetten. Det kan leda till brand, hög värme eller explosion.
3. Om driftstiden har förkortats avsevärt ska användningen avbrytas omedelbart. Det kan leda till risk för överhettning, brännskador och till och med en explosion.
4. Om du får elektrolyt i ögonen ska de sköljas med rent vatten och läkare uppsökas omedelbart. Det finns risk för att du förlorar synen.
5. Kortslut inte batterikassetten:
 - (1) Rör inte vid polerna med något strömförande material.
 - (2) Undvik att förvara batterikassetten tillsammans med andra metallobjekt som t.ex. spikar och mynt.
 - (3) Utsätt inte batterikassetten för väta eller regn.

En kortslutning i batteriet kan orsaka en hög ström, överhettning, eventuella brännskador och till och med haveri.

6. Förvara och använd inte verktyget och batterikassetten på platser där temperaturen kan nå eller överstiga 50 °C (122 °F).
7. Bränn inte upp batterikassetten även om den är svårt skadad eller helt utsliten. Batterikassetten kan explodera i eld.
8. Spika inte i, krossa, kasta, tappa eller slå batterikassetten mot hårda föremål. Sådan kontakt kan leda till brand, hög värme eller explosion.
9. Använd inte ett skadat batteri.
10. Litiumjonbatterierna omfattas av lagstiftningen för farligt gods.

För kommersiella transporter, t.ex. av tredje part eller speditörer måste särskilda krav på förpackning och märkning följas.

Konsultera en expert på farligt gods för preparering av föremålet som ska skickas. Följ även eventuella detaljerade nationella föreskrifter.

Tejpa eller täck öppna kontaktytor och packa batteriet så att det inte kan flytta sig i förpackningen.

11. Vid kassering av batterikassetten den tas bort från verktyget och kasseras på ett säkert sätt. Följ dina lokala föreskrifter angående kassering av batterier.
12. Använd endast batterierna med de produkter som specificerats av Makita. Om batterierna installeras i produkter som inte är godkända kan det leda till brand, hög värme, explosion eller läckage av elektrolyt.
13. Om verktyget inte används under en längre tid måste batteriet tas bort från verktyget.
14. Batterikassetten kan bli varm under och efter användning vilket kan orsaka brännskador eller lättare brännskador. Var uppmärksam på hanteringen av varma batterikassetter.
15. Vidrör inte verktygets plintar direkt efter användning eftersom de kan bli varma och orsaka brännskador.
16. Låt inte flisor, damm eller smuts fastna i plintar, hål eller spår i batterikassetten. Det kan göra att verktyget eller batteriet värms upp, fattar eld, brister och till felfunktion, vilket kan leda till brännskador eller personskador.
17. Såvida inte verktyget stöder arbeten i närheten av högspänningsledningarna får batterikassetten inte användas i närheten av högspänningsledningarna. Det kan leda till att verktyget eller batterikassetten går sönder eller inte fungerar korrekt.
18. Håll batteriet borta från barn.

SPARA DESSA INSTRUKTIONER.

⚠FÖRSIKTIGHET:

- Använd endast originalbatterier från Makita. Användning av andra batterier som inte är från Makita, eller batterier som har ändrats, kan leda till att batteriet spricker och orsakar brand, personskador och skador. Det upphäver också Makitas garanti för verktyget och laddaren från Makita.

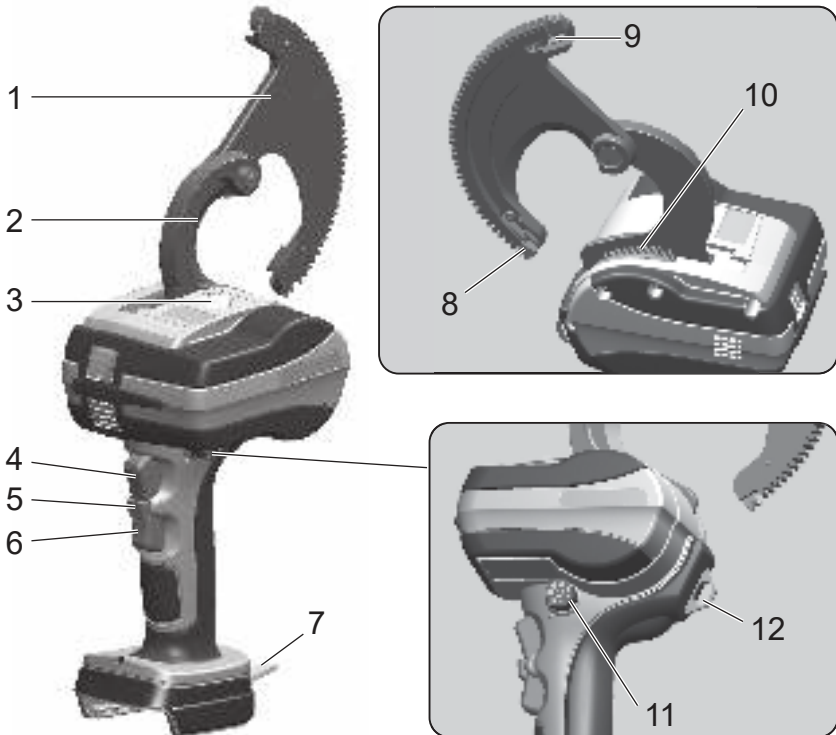
Tips för att underhålla maximal batterilivslängd

1. Ladda batterikassetten innan den är helt urladdad. Stoppa alltid användningen av verktyget och ladda batterikassetten när du märker att verktyget tappar kraft.
2. Ladda aldrig en fulladdad batterikassett. Överladdning förkortar batteriets livslängd.
3. Ladda batterikassetten vid en rumstemperatur på 10 °C – 40 °C (50 °F – 104 °F). Låt en varm batterikassett svalna innan den laddas.
4. Ta bort batterikassetten från verktyget eller laddaren när den inte används.
5. Ladda batterikassetten om du inte har använt den under en längre period (mer än sex månader).

Namn och tillbehör

DTC100

Batteridrivnen kabelklippare



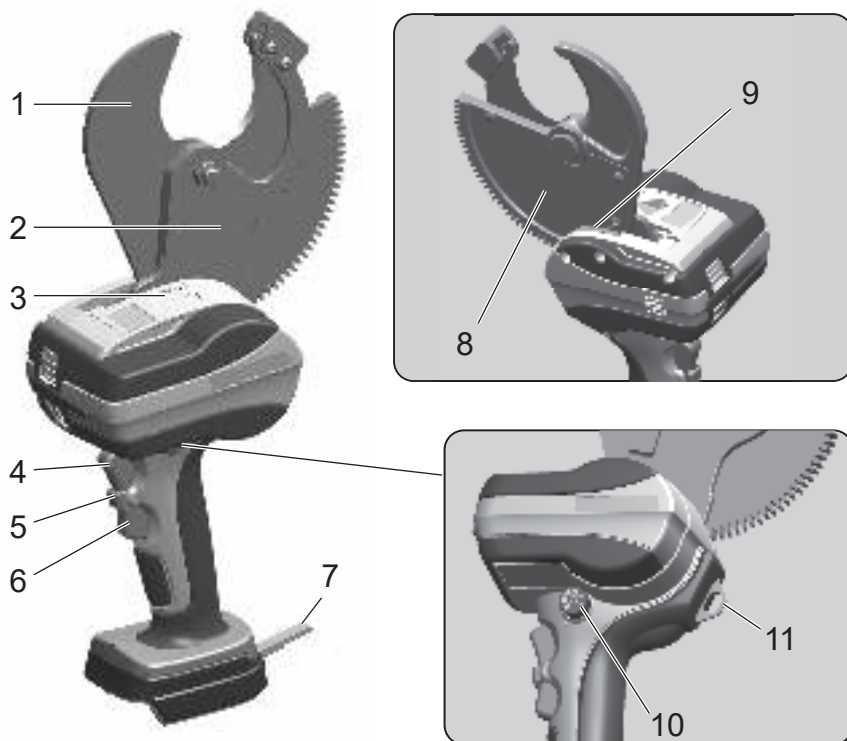
Bärväska



* Detta verktyg är konstruerat för Makitas 18V litiumjonbatteri.

1	Rörligt blad	7	Hängrem
2	Fast blad	8	Kuggstyrning (A)
3	LED-arbetslampa	9	Kuggstyrning (B)
4	Avtryckare för framåtläge	10	Borste (för att damma)
5	Avtryckarlås	11	Ratt
6	Avtryckare för bakåtläge	12	Hängögla

Batteridrivna kabelklippare



Bärväska



* Detta verktyg är konstruerat för Makitas 18V litiumjonbatteri.

1	Rörligt blad	7	Hängrem
2	Fast blad	8	Platta för rörligt blad
3	LED-arbetslampa	9	Borste (för att damma)
4	Avtryckare för framåtläge	10	Ratt
5	Avtryckarlås	11	Hängögla
6	Avtryckare för bakåtläge	—	—

Batteri

Batteri

- Vid köptillfället kan batteriskyddsfunktionen vara aktiverad på grund av att batteriet inte är tillräckligt laddat. (Var försiktig eftersom den här produkten kan starta om du aktiverar avtryckaren.) Ladda batteriet på rätt sätt med snabbbladdaren före användning.
- Sätt på batteriluckan när du inte använder produkten. Det hjälper till att skydda batteriet från vatten och damm.
- Förvara produkten med batteriet borttaget när du inte använder produkten under en längre period.

För att öka batteriets livslängd

- Sluta använda verktyget och ladda batteriet när du märker att verktyget tappat kraft.
- Ladda inte ett fulladdat batteri.
- Ladda batteriet i en omgivningstemperatur på 10 °C till 40 °C.
- När batteriet har blivit varmt, till exempel direkt efter användning, rekommenderar vi att du sätter in det i laddaren för att kyla och ladda det.
- När ett litiumjonbatteri inte kommer att användas under en längre tid (minst 6 månader) rekommenderar vi att du förs laddar det och sedan förvarar det.

Insamling av batterier

- Använda batterier samlas in för återvinning. Ta med batteriet till butiken där du köpte produkten eller ett Makita-försäljningskontor.



Li-ion

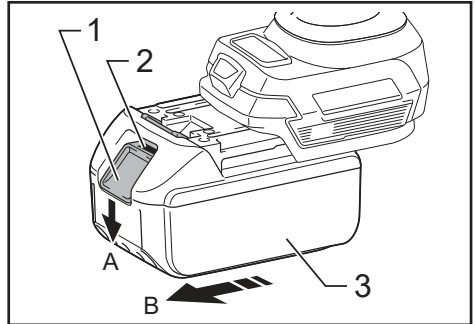
Återvinn
litiumjonbatteriet

Sätt i och ta bort batteriet så här

⚠ VARNING:

För in batteriet ordentligt i produkten. Om den röda delen överst på knappen är synlig är batteriet inte helt låst på plats. Sätt i batteriet ordentligt tills du inte kan se den röda delen.

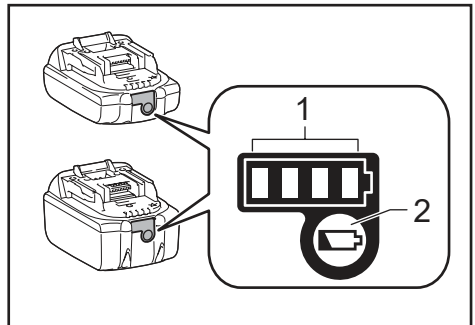
- Om batteriet inte förs in tillräckligt långt kan det lossna och orsaka en olycka.
- Ta bort batteriet från produkten genom att, A. hålla ned knappen på framsidan av batteriet och B. skjuta batteriet för att ta bort det.
- När du sätter i batteriet ska du rikta in batteriet mot skärorna i produkten och sedan föra in det hela vägen genom att utföra förfarandet i omvänd ordning. Om den röda delen överst på knappen nu är synlig är batteriet inte helt låst på plats. Sätt i batteriet ordentligt hela vägen tills du inte kan se den röda delen.



► 1. Knapp 2. Röd del 3. Batteri

Indikering av återstående batterikapacitet

Endast för batterikassetter med en indikator



► 1. Indikatorlampor 2. Kontrollknapp

Tryck på kontrollknappen på batterikassetten för att visa återstående batterikapacitet. Indikatorlamporna tänds i några sekunder.

Indikatorlampor			Återstående kapacitet
Lyser	Av	Blinkar	
■ ■ ■ ■	□ □ □ □	□ □ □ □	75 % till 100 %
■ ■ ■ □	□ □ □ □	□ □ □ □	50 % till 75 %
■ ■ □ □	□ □ □ □	□ □ □ □	25 % till 50 %
■ □ □ □	□ □ □ □	□ □ □ □	0 % till 25 %
▬ □ □ □	□ □ □ □	□ □ □ □	Ladda batteriet.
■ ■ □ □	□ □ □ □	□ □ □ □	Det kan vara fel på batteriet.
□ □ □ ■	□ □ □ □	□ □ □ □	

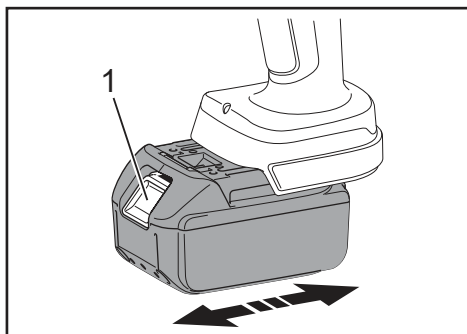
OBS! Beroende på användningsförhållandena och omgivningstemperaturen kan indikeringen avvika något från den faktiska kapaciteten.

OBS! Den första (längst till vänster) indikatorlampan blinkar när batteriskyddssystemet fungerar.

Använd verktyget så här

Fästa batteripaketet

1. Tryck in spärren och dra ut batteripaketet. Sätt i batteripaketet genom att ordentligt trycka det nya paketet på plats.
2. Efter att batteripaketet har skjutits på, kontrollera att det sitter ordentligt på plats genom att försiktigt dra i det. Tryck inte på spärren medan du drar i batteriet.

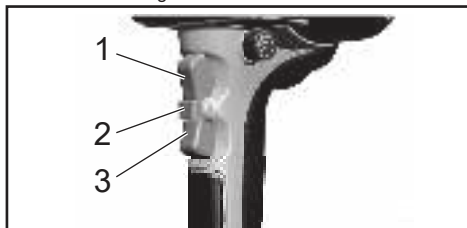


- 1. Spärr

Avtryckarens funktioner

Av säkerhetsskäl har detta verktyg ett system som består av två avtryckare.

För att aktivera avtryckaren för framåtläge (klippning) och avtryckaren för bakåtläge (backning) måste du först trycka in avtryckarlåsetoch sedan trycka på avtryckaren för framåt-/bakåtläge.



- 1. Avtryckare för framåtläge 2. Avtryckarlås
3. Avtryckare för bakåtläge

LED-lampa för arbetsassistent

Detta verktyg har en LED-lampa som lyser upp runt klippbladet. Den tänds när antingen avtryckaren för framåtläge eller bakåtläge aktiveras och släcks cirka 10 sekunder efter att avtryckaren har släppts.

⚠ FÖRSIKTIGHET:

- Titta inte direkt in i LED-lampan. Om du tittar direkt in i LED-lampan under en längre tid kan ögonen skadas.

Larm för låg batterinivå

Om den återstående batterikapaciteten är låg, blinkar LED-lampan 5 gånger som ett larm när strömbrytaren för framåtläge aktiveras. Ladda batteriet eller byt ut mot ett reservbatteri.

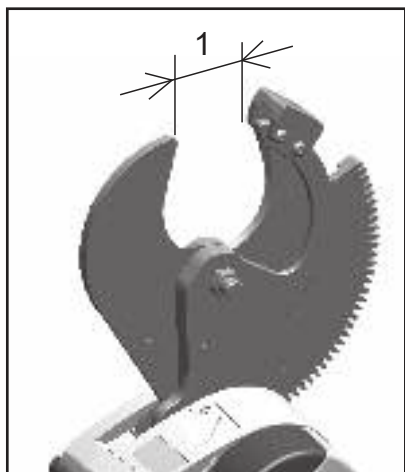
Klippåtgärder

1. [DTC100]
Aktivera avtryckaren för att öppna det rörliga bladet.

Använd avtryckarna för framåt- och bakåtläge för att placera det rörliga bladet i neutralläge.

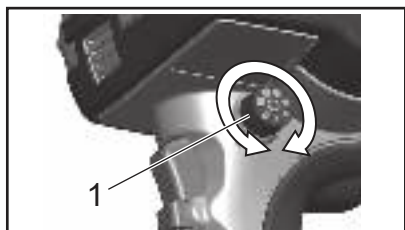


1. [DTC101]
Se till att öppningen är tillräcklig.
Se till att öppningen är tillräcklig stor för kabeln.
Tryck på avtryckare för bakåtläge för att öppna den om öppningen är för smal.



► 1. Öppning

2. Använd ratten för att aktivera eller inaktivera automatisk reversering
Flytta ratten till önskat läge för att aktivera automatisk reversering, eller flytta den till av för att inaktivera.

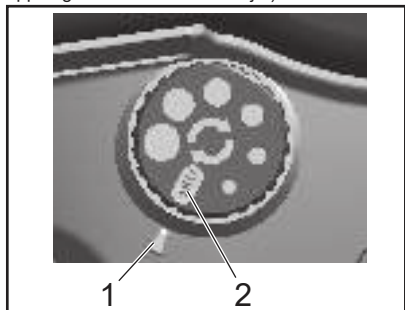


► 1. Ratt

Automatisk reverseringsfunktion

När automatisk reversering är aktiverat bromsar motorn efter att en kabel har klippts av. När avtryckaren för framåtläge släpps återgår det rörliga bladet automatiskt enligt inställningen på ratten.

Öppningen kan justeras i 6 nivåer. (Storleken på öppningen är endast en riktlinje.)



► 1. Öppningens storlek 2. Av

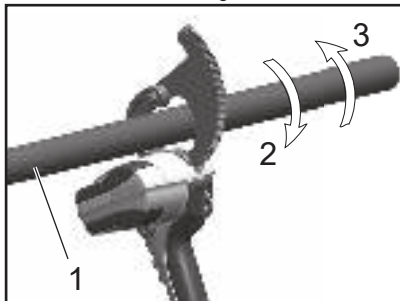
⚠ FÖRSIKTIGHET:

- Den automatiska reverseringsfunktionen aktiveras inte om avtryckaren för framåtläge släpps innan klippningen är klar.
- Den automatiska reverseringsfunktionen aktiveras inte med tunna kablar på 60 mm² eller mindre.
- Öppningens diameter kan variera beroende på återstående batterispänning.

3. [DTC100]

För in elkabeln i det rörliga bladets öppning

Placera kabeln som ska klippas mot det fasta bladet och stäng det rörliga bladet runt kabeln. Mata det rörliga bladet manuellt så att kuggtänderna griper in i enhetens drivanordning.

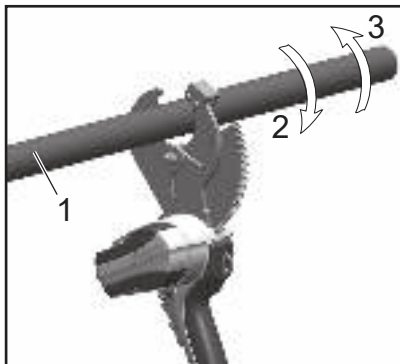


► 1. Kabel 2. Klipprotation
3. Reverseringsrotation

3. [DTC101]

För in elkabeln i det rörliga bladets öppning

Placera kabeln som ska klippas i bladöppningen och mot sidan med det fasta bladet.



► 1. Kabel 2. Klipprotation
3. Reverseringsrotation

4. Aktivera avtryckaren för framåtläge och klipp av elkabeln
Håll ned avtryckaren för framåtläge tills klippningen är klar.
5. Ta bort skräp efter klippning.
Ta bort eventuella rester och skräp från bladet när klippningen är klar.

⚠ FÖRSIKTIGHET:

• Långvarig användning

Skydda motorn genom att sluta använda verktyget när området runt varningsetiketten blir varmt. Fortsätt använda verktyget genom att placera verktyget på en sval och välventilerad plats i 50 minuter tills det svalnat.

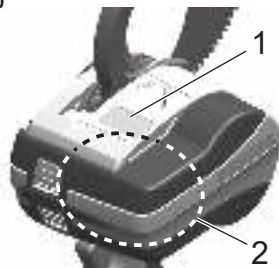
• Skyddet för överströms/överbelastning kan aktiveras även när verktyget används inom klippkapaciteten.

Driftstemperatur, kabellängd, krökning och andra faktorer påverkar verktygets prestanda.

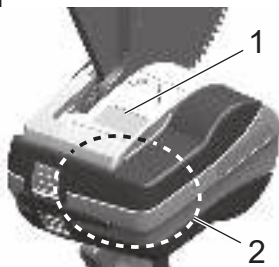
• Om LED-lampan blinkar 6 gånger eller mer påvisar det ett fel på kretskortet.

Kontakta din återförsäljare.

DTC100



DTC101



► 1. Varningsetikett 2. Varningsområde för hög värme

⚠ FÖRSIKTIGHET:

- DTC100 och DTC101 är endast för koppar- och aluminiumkablar. Använd inte dessa verktyg för stål, ACSR eller andra stålmaterial.

Skyddsfunktion för överström

Om en överström uppstår på grund av klippning av en kabel utanför specifikationen aktiveras skyddsfunktionen för överström och motorn stoppas. Återställ genom att släppa avtryckaren för framåtläge.

Byta ut med reservdelar (DTC100)

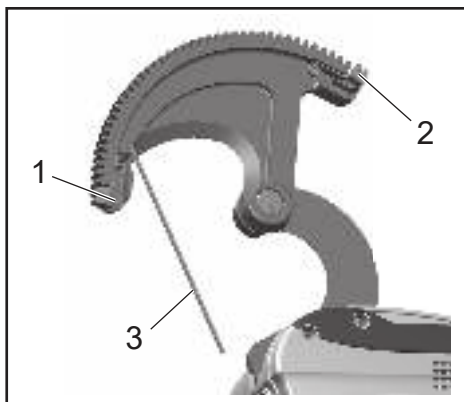
Följ förfarandet nedan för att själv byta ut kuggstyrningen.

⚠ FÖRSIKTIGHET:

- Se till att ta bort batteripaketet från huvudenheten innan du byter ut kuggstyrningen.
- Om kuggstyrningen är skadad eller avger ett onormalt ljud ska den omedelbart bytas ut. Att fortsätta använda produkten med en skadad kuggstyrning kan orsaka skador på de inre kuggarna.

Byte av kuggstyrning

1. Ta bort kuggstyrningen
Använd en insexnyckel för att skruva loss bulten med sexkantshålet (M3 × 3) och ta bort kuggstyrningen.
2. Montera kuggstyrningen
Montera den nya kuggstyrningen och dra åt bulten ordentligt.



► 1. Kuggstyrning (A) 2. Kuggstyrning (B)
3. Insexnyckel

Byta ut med reservdelar (DTC101)

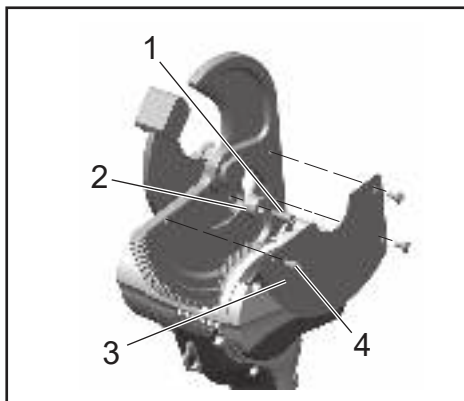
Följ förfarandet nedan för att själv byta ut stoppanordningen.

⚠ FÖRSIKTIGHET:

- Se till att ta bort batteripaketet från huvudenheten innan du byter ut stoppanordningen.

Byte av stoppanordningen

1. Ta bort stjärnskruvarna med runda skallar, plattan och ansatsbulten (37) och ta sedan bort stoppanordningen.
2. Fäst den nya stoppanordningen med ansatsbulten, applicera skruvlåslim på skruven och dra sedan åt helt.
3. Fäst plattan och skruva in stjärnskruvarna med runda skallar.

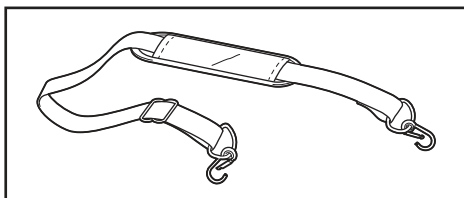


- 1. Ansatsbult (37) 2. Stoppanordning 3. Platta
4. Stjärnskruvar med runda skallar

Valfria tillbehör

• Axelrem (161347-8)

Använd axelremmen genom att koppla ihop den med hängremmen på verktyget.



Underhåll/inspektion

- Var medveten om att försummelse av dagligt underhåll/inspektion kan orsaka fel på verktyget.
- Undvik att förvara verktyget i en fuktig miljö för smidig drift av verktyget och för att förhindra rost.
- Om verktyget skadas under normal användning (10 000 operationer eller mer, 1 000 klipp eller mer) får driften inte återupptas efter att endast den skadade delen har bytts ut, eftersom verktyget har nått slutet av sin livslängd.
- När en hartsdel blir smutsig, använd en mjuk trasa fuktad med tvålatten för att torka av den.
- När batteripaketet förvaras separat, se till att sätta på polskyddet (tillbehör) på polen för att förhindra kortslutning.
- För säkerhetsinspektion rekommenderar vi att du lämnar in verktyget till tillverkaren ungefär en gång vartannat år (avgift tillkommer). Kontakta din återförsäljare för detaljer.

Specifikationer

Batteridrivna kabelklippare	DTC100	DTC101
Maximal klippdiameter	Endast icke-järnhaltiga material (AL eller Cu)	
	φ50 mm (Cu-tråd φ30 mm / Al-tråd φ38 mm)	
Elmotor	Likströmsmotor	
Mått	117 (D) × 320 (H) × 197 (B) (mm)	117 (D) × 380 (H) × 189 (B) (mm)
Vikt	2,2 kg	2,9 kg

⚠ FÖRSIKTIGHET:

- DTC100 och DTC101 är endast för koppar- och aluminiumkablar. Använd inte dessa verktyg för stål, ACSR eller andra stålmaterial.

Försäkningar om överensstämmelse

Endast för länder i Europa

Försäkningar om överensstämmelse ingår i bilaga A till denna bruksanvisning.

⚠ADVARSEL: Les og forstå alle instruksjonene og all sikkerhetsinformasjonen i denne brukerveiledningen og i anvisningene. Bruk i bruksområder som ikke er tiltenkt, kan føre til alvorlig personskade eller død.

- Takk for at du har kjøpt vår batteridrevne kabelkutter.
- Les denne instruksjonshåndboken grundig og fullstendig før du forsøker å bruke utstyret. Etter at du har lest instruksjonshåndboken, bør du oppbevare den på et lett tilgjengelig sted.
- Beskrivelse
De mekaniske kutterne er batteridrevne kuttere som er laget for å kutte kabler som benyttes i industrien i dag.

Sikkerhetsforholdsregler

⚠ADVARSEL: Les alle sikkerhetsadvarslene og alle instruksjonene. Hvis ikke advarslene og instruksjonene følges, kan det forekomme elektrisk støt, brann og/eller alvorlig skade.

Ta vare på alle advarsler og instruksjoner for fremtidig referanse.

⚠ADVARSEL: Brukeren kan bli drept eller alvorlig skadet dersom dette produktet misbrukes.

1) Sikkerhet på arbeidsområdet

- a) Hold arbeidsområdet rent og godt opplyst. Rot eller mørke områder kan føre til ulykker.
- b) Ikke bruk elektroverktøy i eksplosjonsfarlige miljøer, som i nærheten av antennbare væsker, gasser eller støv. Elektroverktøy danner gnister som kan antenne støvet eller dampene.
- c) Hold barn og tilskuere unna når du bruker elektroverktøy. Distraksjoner kan gjøre at du mister kontrollen.

2) Elektrisk sikkerhet

- a) Elektroverktøyet støpsel må passe med stikkkontakten. Støpset må aldri modifiseres på noen måte. Ikke bruk adapterpluggen sammen med jordede elektroverktøy. Umodifiserte støpsler og tilsvarende stikkontakter vil redusere faren for elektrisk støt.
- b) Unngå kroppskontakt med jordede overflater, som rør, radiatorer, komfyrer og kjøleskap. Det er økt fare for elektrisk støt hvis kroppen din blir jordet.
- c) Ikke utsett elektroverktøy for regn eller våte forhold. Vann som kommer inn i et elektroverktøy, vil øke risikoen for elektrisk støt.
- d) Ikke mishandle ledningen. Aldri bruk ledningen til å bære, trekke eller plukke fra elektroverktøyet. Hold ledningen unna varme, olje, skarpe kanter og bevegelige deler. Ledninger som er skadet eller floket, øker risikoen for elektrisk støt.
- e) Når du bruker elektroverktøy utendørs, må du bruke en skjøteledning som er egnet for utendørs bruk. Bruk av ledning for utendørs bruk reduserer risikoen for elektrisk støt.

- f) Hvis du ikke kan unngå at elektroverktøyet brukes på et fuktig sted, må du bruke en strømforsyning med reststrømbeskyttelse (RCD). Bruk av reststrømbeskyttelse reduserer risikoen for elektrisk støt.

3) Personlig sikkerhet

- a) Vær årvåken, følg med på hva du gjør og bruk sunn fornuft når du bruker elektroverktøy. Ikke bruk elektroverktøy når du er trøtt eller er påvirket av narkotika, alkohol eller legemidler. Et øyeblikks uoppmerksomhet mens du bruker elektroverktøy kan resultere i alvorlig personskade.
- b) Bruk personlig verneutstyr. Bruk alltid øyevern. Verneutstyr som støvmaske, skliskre vernesko, hjelm eller hørselvern som brukes under hensiktsmessige forhold, vil redusere mulige personskader.
- c) Unngå utilsiktet oppstart. Forviss deg om at bryteren er i av-posisjon før du kobler til strømkilden og/eller batteriet, løfter eller bærer verktøyet. Hvis du bærer elektroverktøy med fingeren på bryteren eller kobler strøm til elektroverktøy som har bryteren på, kan det oppstå ulykker.
- d) Fjern eventuelle justerings- eller skrunøkler før du slår på elektroverktøyet. En skrunøkkel eller annen nøkkel som er festet til en roterende del på elektroverktøyet, kan forårsake personskade.
- e) Ikke strekk deg for langt. Ha godt fofeste og balanse til enhver tid. Dette gir deg bedre kontroll over elektroverktøyet i uventede situasjoner.
- f) Kle deg hensiktsmessig. Ikke bruk løstsittende klær eller smykker. Hold hår, klær og hansker unna bevegelige deler. Løstsittende klær, smykker eller langt hår kan hekte seg i bevegelige deler.
- g) Hvis det brukes enheter for tilkobling av støvuttreks- og oppsamlingsinnretninger, må du forvise deg om at disse er koblet til og brukes på riktig måte. Bruk av støvoppsamling kan redusere støvrelevante farer.
- h) Ikke la fortrolighet oppnådd etter hyppig bruk av verktøy gjøre at du blir nonsjalandt og ignorerer sikkerhetsprinsippene for verktøyet. En skjødesløs handling kan føre til alvorlig skade på en brøkdell av et sekund.

4) Bruk og stell av elektroverktøy

- a) Ikke bruk makt på elektroverktøyet. Bruk riktig elektroverktøy til ditt bruk. Det riktige elektroverktøyet vil gjøre jobben på en bedre og tryggere måte, slik det ble laget for.
- b) Ikke bruk elektroverktøyet hvis ikke bryteren slår det på og av. Ethvert elektroverktøy som ikke kan kontrolleres med bryteren, er farlig og må repareres.
- c) Koble pluggen fra strømkilden og/eller batteriet fra elektroverktøyet før du foretar justeringer, bytter tilbehør eller oppbevarer verktøyet. Slike forebyggende sikkerhetstiltak reduserer risikoen for at elektroverktøyet starter utilsiktet.
- d) Oppbevar elektroverktøy som ikke er i bruk utilgjengelig for barn, og ikke la personer som ikke er fortrolige med elektroverktøyet eller disse instruksjonene, bruke elektroverktøyet. Elektroverktøy er farlige i hendene på ukyndige brukere.
- e) Vedlikehold elektroverktøy og tilbehør. Se etter feiljusteringer og hekking av bevegelige deler, brukne deler eller andre tilstander som kan påvirke bruken av elektroverktøyet. Hvis det er skadet, må elektroverktøyet repareres før bruk. Mange ulykker er forårsaket av dårlig vedlikeholdt elektroverktøy.
- f) Hold kutteverktøy skarpe og rene. Ordentlig vedlikeholdt kutteverktøy med skarpe skjærekanter har mindre sannsynlighet for hekking og er lettere å kontrollere.
- g) Bruk elektroverktøyet, tilbehør og hardmetallskjær o.l. i samsvar med disse instruksjonene, og ta med i beregningen arbeidsforholdene og arbeidet som skal utføres.
Bruk av elektroverktøy til andre oppgaver enn de som er tiltenkt, kan resultere i farlige situasjoner.
- h) Hold håndtak og gripeflater tørre, rene og frie for olje og fett. Glatte håndtak og gripeflater hindrer trygg håndtering og kontroll over verktøyet i uventede situasjoner.

5) Bruk og stell av batteriverktøy

- a) Lad opp kun med laderen som er spesifisert av produsenten. En lader som er egnet for én type batteri, kan utgjøre en brannfare hvis den brukes med et annet batteri.
- b) Bruk elektroverktøy kun med spesifikt tiltenkte batterier. Bruk av andre batterier kan gi risiko for skade og brann.
- c) Når batteriet ikke er i bruk, må det holdes unna andre metallgjenstander, som binderser, mynter, nøkler, spikrer, skruer eller andre små metallgjenstander som kan danne en forbindelse mellom terminalene. Kortslutning av batteriterminalene kan forårsake brannskader eller brann.
- d) Under belastende forhold kan batteriet avgi væske – unngå kontakt. Hvis det skulle forekomme kontakt, må du skylle med vann. Hvis væsken kommer i øynene, må du i tillegg oppsøke lege.
Væske fra batteriet kan føre til irritasjon eller brannskader.
- e) Ikke bruk et batteri eller verktøy som er skadet eller modifisert. Batterier som er skadet eller modifisert, kan fungere uforutsigbart, noe som fører til brann, eksplosjon eller risiko for skade.

- f) Ikke eksponer et batteri eller verktøy for ild eller høy temperatur. Eksponering for ild eller temperaturer over 130 °C kan føre til eksplosjon.
- g) Følg alle ladeinstruksjoner og ikke lad batteriet eller verktøyet utenfor temperaturområdet som er spesifisert i instruksjonene. Lading som gjøres feil eller ved temperaturer utenfor det spesifiserte området, kan skade batteriet og øke risikoen for brann.

6) Service

- a) La en kvalifisert reparatør utføre service på elektroverktøyet kun ved bruk av identiske reservedeler. Dette vil påse at elektroverktøyet sikkerhet opprettholdes.
- b) Utfør aldri service på batterier som er skadet. Service på batterier skal bare utføres av produsenten eller autoriserte serviceleverandører.

Hold elektroverktøyet i de isolerte gripeflatene når du utfører en jobb der festeanordningen kan komme i berøring med skjulte ledninger. Festeanordninger som kommer i berøring med en strømførende ledning, kan gjøre at eksponerte metalldeleer på elektroverktøyet blir strømførende og kan gi operatøren elektrisk støt.

Bruk original batterilader og originalbatteri fra Makita.

- Bruk originalbatteri for dette verktøyet.
- Ikke lad batteriet med en annen batterilader. Hvis ikke dette overholdes, kan det oppstå ruptur, noe som kan føre til ulykke eller skade.

Lad batteriet på riktig måte.

- Bruk en strømkilde med indikert nominell verdi til å koble til batteriladeren som følger med dette produktet.
- Ikke bruk en likestrømkilde eller en motordrevet strømgenerator til å lade batteriet. Hvis ikke dette overholdes, kan det bli dannet sterk varme, noe som kan føre til brann.
- Når temperaturen i omgivelsene, batteriet eller batteriladeren er under 0 °C eller over 40 °C, må ikke batteriet lades. Hvis ikke dette overholdes, kan det oppstå ruptur eller brann.
- Når batteriet skal lades, må du velge et godt ventilert sted til ladingen.
- Ikke tildekk batteriet med tøy materialer under lading. Hvis ikke dette overholdes, kan det oppstå ruptur eller brann.
- Pass på å koble fra strømspøselet etter lading. Hvis ikke dette overholdes, kan det oppstå elektrisk støt eller brann.

Ikke rett kutteren mot personer under bruk.

- Hvis ikke dette overholdes, kan det forekomme skade.

Ikke kortslett terminalene på batteriet.

- Når batteriet oppbevares for seg selv, må du passe på å sette på terminaldekselet for å unngå kortslutning. Forviss deg om at batteriterminalene ikke vil bli kortslettet av andre metalldeleer som skruer, spikrer o.l.

Ikke utsett batteriet for flammer.

- Hvis ikke dette overholdes, kan det oppstå ruptur eller lekkasje av farlige materialer.

Må ikke brukes på deler med elektrisk strøm.

- Verktøyet er ikke isolert. Bruk på strømsatte steder kan føre til elektrisk støt.
- Ikke berør strømstøpselet eller batteriet med våte hender. Hvis ikke dette overholdes, kan det forekomme elektrisk støt.

Ta ut batteriet fra verktøyets hoveddel under følgende omstendigheter.

- Når det ikke brukes eller blir reparert.
 - Når reservedeler skiftes ut.
 - Andre tilfeller der det er mistanke om fare.
- Hvis ikke disse advarelsene overholdes, kan det forekomme at verktøyet slår seg på utilsiktet og forårsaker skade.

Starte verktøyet uventet.

- Påse at fingrene er på god avstand fra utløseren når du flytter verktøyet. Uventet oppstart av verktøyet kan føre til skade.

Bruk kun spesifisert tilbehør.

- Ikke bruk annet tilbehør enn det som er spesifisert i denne instruksjonshåndboken eller i katalogen vår. Hvis ikke dette overholdes, kan det forekomme ulykker eller skade.

Bruk verneutstyr.

- Bruk vernebriller under bruk. Hvis jobben er støvete, må du bruke vernemaske. Når du kutter, kan det bli slynget ut små biter som kan forårsake skade.

Ikke stirr inn i LED-arbeidslampen.

- Det kan forringe synet.

Vurder arbeidsmiljøet.

- Ikke bruk verktøyet, batteriladeren eller batteriet i regnvær eller på et vått eller fuktig sted. Hvis ikke dette overholdes, kan det oppstå elektrisk støt eller røyk.
- Utfør arbeidet på et sted med tilstrekkelig belysning. Arbeid på mørke steder kan føre til ulykke.
- Ikke bruk eller lad batteriet i nærheten av antennebære væsker eller gass. Hvis ikke dette overholdes, kan det oppstå eksplosjon eller brann.

Hold alltid arbeidsstedet rent.

- Rotete steder og benker kan føre til ulykke.

Hold barn unna verktøyet.

- Ikke la andre personer enn operatørene røre verktøyet og ledningen til batteriladeren. Hold personer unna arbeidsstedet. Hvis ikke dette overholdes, kan det forekomme skade.

Oppbevar verktøyet riktig når det ikke er i bruk.

- Oppbevar verktøyet på et sted med lite fuktighet og som er høyt nok til at barn ikke kan nå det, eller på et sted som kan låses. Hvis ikke dette overholdes, kan det forekomme ulykker.
- Ikke oppbevar verktøyet eller batteriet på et sted hvor temperaturen kan nå 40 °C eller mer (inne i en metallkasse, i en bil om sommeren o.l.). Hvis ikke dette overholdes, kan batteriet bli forringet, noe som kan føre til røyk eller antenning.

Ikke bruk verktøyet på ufornuftige måter.

- Utfør arbeidet i samsvar med verktøyets kapasitet for trygg og effektiv bruk. Bruk av verktøyet utover dets kapasitet kan føre til ulykker.
- Ikke bruk verktøyet på en ufornuftig måte som gjør at motoren låser seg. Hvis ikke dette overholdes, kan det oppstå røyk eller antenning.

Bruk et verktøy som egner seg for jobben.

- Ikke bruk verktøyet i andre bruksområder enn de som er spesifisert. Hvis ikke dette overholdes, kan det forekomme skade.

Utfør arbeidet med riktige klær.

- Ikke bruk løse klær eller aksessoarer som for eksempel et halskjede. Slike ting kan hekte seg i bevegelige eller roterende deler e.l.
- Når arbeidet utføres utendørs, anbefales det å bruke gummihandsker og sklisikre sko. Glatte hansker og sko kan føre til skader.
- Hvis du har langt hår, bør du bruke en lue eller et hårnett til å dekke håret. Hvis ikke dette overholdes, kan håret ditt hekte seg i bevegelige eller roterende deler e.l.

Ikke bruk verktøyet i en unaturlig stilling.

- Ha godt fotfeste til enhver tid, og hold balansen. Hvis ikke dette overholdes, kan du falle, noe som kan føre til skader.

Vær årvåken når du arbeider konsentrert.

- Når du bruker verktøyet, må du være nøye med håndteringen, bruksmåten og omstendighetene, og utfør arbeidet forsiktig. Hvis ikke dette overholdes, kan det forekomme ulykker eller skader.
- Ikke bruk verktøyet under påvirkning av alkohol. Hvis ikke dette overholdes, kan det forekomme ulykker eller skader.
- Ikke bruk verktøyet hvis du er i dårlig fysisk form. Hvis ikke dette overholdes, kan det forekomme ulykker eller skader.

Ikke håndter ledningen til batteriladeren på uvørent vis.

- Ikke bær laderen etter ledningen eller trekk i den for å koble fra stikkkontakten.
- Hold ledningen unna varme, olje og skarpe kanter.
- Påse at omgivelsene rundt ladingen ikke fører til at noen trækker på eller snubler i ledningen. Hvis ikke dette overholdes, kan det forekomme elektrisk støt eller kortslutning, noe som kan forårsake antenning.

Bruk en skjøteledning med utendørsspesifikasjoner.

- Hvis du bruker verktøyet utendørs, må du bruke en skjøteledning laget av slitesterk, gummibelagt kabel.

Vær forsiktig under vedlikehold av verktøyet.

- Følg instruksjonshåndboken når du skifter reservedeler. Hvis ikke dette overholdes, kan det forekomme skade.
- Inspiser ledningen til batteriladeren med jevne mellomrom. Hvis ledningen er skadet, må du be det autoriserte serviceverkstedet om reparasjon. Hvis ikke dette overholdes, kan det forekomme elektrisk støt eller kortslutning, noe som kan forårsake antenning.

- Hvis du bruker skjøteledning, må du inspisere ledningen med jevne mellomrom. Hvis ledningen er skadet, må den skiftes ut med en ny. Hvis ikke dette overholdes, kan det forekomme elektrisk støt eller kortslutning, noe som kan forårsake antenning.
- Hold alltid grepet tørt og rent, og hold det unna olje og fett. Hvis ikke dette overholdes, kan det forekomme skade.

Sjekk deler for skade.

- Sjekk før bruk at ingenting er skadet. Bekreft at verktøyet fungerer normalt og at alle komponentene fungerer som de skal.
- Sjekk justeringen av bevegelige deler, at bevegelige deler går jevnt, om deler er brukket, spent opp eller har andre tilstander som kan påvirke bruken.
- Ikke bruk en batterilader med skadet plugg eller ledning, eller som har falt ned og blitt skadet. Hvis ikke dette overholdes, kan det forekomme elektrisk støt eller kortslutning, noe som kan forårsake antenning. Hvis laderen er skadet, må den repareres skikkelig eller skiftes ut av et autorisert serviceverksted med mindre annet er angitt i denne instruksjonshåndboken. Be et autorisert serviceverksted skifte ut defekte brytere. Ikke bruk verktøyet hvis det ikke kan slås på og av med bryteren. Et slikt verktøy kan fungere unormalt, noe som kan forårsake skade.

Be det autoriserte serviceverkstedet om reparasjon.

- Ikke demonter, reparer eller modifier hovedenheten, batteriladeren eller batteriet. Hvis ikke dette overholdes, kan det forekomme antenning eller unormal drift, noe som kan føre til skade.
- Hvis verktøyet blir varmt eller det er noe unormalt med verktøyet, må du be om at verktøyet blir inspisert eller reparert.
- Dette verktøyet er laget i samsvar med relevante sikkerhetskrav. Ikke forsøk å modifisere dette produktet.
- Få verktøyet reparert av et autorisert servicesenter. Reparasjoner skal bare utføres av kvalifiserte personer som bruker originaldeler, ellers kan det oppstå betydelig fare for brukeren.

Forholdsregler for bruk av batteridrevet kabelkutter

- Følg instruksjonene nedenfor når du bruker dette verktøyet:

Forholdsregler for verktøyet

- **Aldri kutt noe som er utenfor maksimal kuttekapasitet.**

Vær forsiktig, da manglende overholdelse av dette kan føre til ødeleggelser (se side 196).

- **Ikke berør skjærekanten på de bevegelige eller faste bladene.**

Hvis ikke dette overholdes, kan det forekomme skader.

- **Aldri kutt strømførende ledninger (strømkabler som fører elektrisitet).**

- **Ikke utsett verktøyet for fall eller andre kraftige støt.**

Den interne strukturen er presist fremstilt for å gjøre det kompakt og lett, så verktøyet vil kanskje ikke fungere som det skal hvis det utsettes for støt.

- **Ikke bruk verktøyet i regn.**

Hvis det gjøres, kan bladet ruste og gjøre skjærekanten sløv, eller det kan forekomme skader.

- **Ikke kutt overflødig lengder på 50 mm eller mindre.**

Å kutte overflødig lengder på endene av CCP- og andre kabler ekstremt korte, kan føre til at innsiden av kablene o.l. blir kuttet.

- **Ikke bruk makt mot retningen som kuttes.**

Kutt alltid materialene rett frem. Hvis ikke dette overholdes, kan kuttebladet bli skadet.

- **Ha sikkert grep.**

Hvis ikke dette overholdes, kan det forekomme skader.

- **Forviss deg om at det ikke er noen under deg før du bruker verktøyet på et høyt sted.**

Hvis ikke dette overholdes, kan det forekomme ulykker dersom materialer eller enheten faller e.l.

- **Sjekk før bruk at ingenting er unormalt.**

Sprekker eller brister på kutteren kan skade kutteren og forårsake skader.

- **Ta pauser under bruk.**

Langvarig kutting uten pauser opprettholder høy motorvarme, noe som kan overopphete motoren og batteriet og føre til ødeleggelser. Pass på å ta pauser av og til under bruk.

- **Lave omgivelsestemperaturer (10 °C eller lavere) kan føre til at strømkabelen blir hard, noe som gjør det vanskelig å kutte, selv innenfor kuttekapasiteten.**

- **Rengjør med luft e.l. etter hver bruk.**

Vær nøye med å hindre at avkutt og annet avfall kommer inn i enheten fra åpningen (bevegelig bladdriver).

- **Ikke kutt strømkabler med ledning på 1 mm i diameter.**

Hvis ikke dette overholdes, kan det forekomme at kutterbladet hefter seg i strømkabelbladet og låser seg.

Forholdsregler ved bruk av batteri

- Aldri kortslett terminalene.
- Hold batteriet unna vann, olje og organiske løsemidler.
- Ikke demonter eller modifierer batteriet.
- Hvis batteriet avhendes, må det ikke utsettes for flammer eller kastes som husholdningsavfall. (Vi fremmer resirkulering.)
- Ikke kast eller la batteriet falle.
- Ikke la batteriet være på et sted der temperaturen er 40 °C eller mer over lengre tid.
- Ikke kortslett batteriet ved å legge skitt eller støv på terminalen, da dette vil føre til feilfunksjon. Hvis terminalen er korrodert, må ikke batteriet brukes.
- En vernefunksjon som stopper ytelsen er montert for å forlenge batteriets levetid. Motoren kan stoppe når batteriladingen er lav, selv når driftsbryteren trykkes under bruk av verktøyet. Dette fenomenet er imidlertid ikke forårsaket av feilfunksjon, men av vernefunksjonen. I slike tilfeller må batteriet lades umiddelbart.

Forholdsregler for batteriladeren

- Batteriladeren har en indikatorlampe (flerfarget LED) som viser batteriets ladestatus.
- Ikke kortslett laderen ved å legge skitt eller støv inn i innsettingsporet, da dette vil føre til feilfunksjon. Hvis metallterminalen er korrodert, må ikke laderen brukes.

ADVARSELSSYMBOLER



Før du bruker verktøyet må du lese instruksjonene i denne håndboken nøye.



Advarselssområde for sterk varme

For å beskytte motoren må du ikke bruke verktøyet hvis advarselssområdet for sterk varme blir varmt (se side 194).



Ikke rør det under bruk.

Symboler



Kun for EU-land

På grunn av forekomst av farlige komponenter i utstyret, kan avfall fra elektrisk og elektronisk utstyr, akkumulatører og batterier ha en negativ innvirkning på miljøet og menneskers helse.

Ikke kast elektriske og elektroniske apparater eller batterier sammen med husholdningsavfall!

I samsvar med det europeiske direktivet om avfall fra elektrisk og elektronisk utstyr og om akkumulatører og batterier samt akkumulatører og batterier som skal kastes, samt deres tilpasning til nasjonal lovgivning, skal brukt elektrisk utstyr samt brukte batterier og akkumulatører samles inn separat og leveres til et eget innsamlingssted for kommunalt avfall, som driver virksomhet i samsvar med miljøvernforskriftene.

Dette er angis av symbolet med den overkryssede avfallsbeholderen som er plassert på utstyret.

Støy

Typisk A-vektet lydtrykknivå er bestemt i henhold til EN62841-1:

Lydtrykknivå (K=3 dB (A)): 69,5 dB (A)

Lydeffektnivå (K=3 dB (A)): 78,1 dB (A)

MERK: Den/de oppgitte verdien(e) for genererte vibrasjoner har blitt målt i henhold til standard testmetoder, og kan bli brukt til å sammenligne ett verktøy med et annet.

MERK: Den/de angitte verdien(e) for de genererte vibrasjonene kan også brukes til en foreløpig vurdering av eksponeringen.

⚠ADVARSEL: Bruk hørselsvern.

⚠ADVARSEL: De genererte vibrasjonene ved faktisk bruk av elektroverktøyet kan avvike fra den/de angitte vibrasjonsverdien(e), avhengig av hvordan verktøyet brukes.

⚠ADVARSEL: Sørg for å identifisere vernetiltak for å beskytte operatøren, som er basert på et estimat av eksponeringen under de faktiske bruksforholdene (idet det tas hensyn til alle deler av driftssyklusen, dvs. hvor lenge verktøyet er slått av, hvor lenge det går på tomgang og hvor lenge startbryteren faktisk holdes trykket).

Vibrasjoner

Den totale vibrasjonsverdien (triaksial vektorsum) bestemt i henhold til EN62841-1:

Gripehåndtak: 0,3 m/s²

Usikkerhet (K): 1,5 m/s²

MERK: Den/de oppgitte verdien(e) for totalt genererte vibrasjoner har blitt målt i henhold til standard testmetoder, og kan bli brukt til å sammenligne ett verktøy med et annet.

MERK: Den/de angitte verdien(e) for totalt genererte vibrasjoner kan også brukes til en foreløpig vurdering av eksponeringen.

⚠ADVARSEL: De genererte vibrasjonene ved faktisk bruk av elektroverktøyet kan avvike fra den/de angitte vibrasjonsverdien(e), avhengig av hvordan verktøyet brukes og spesielt i forhold til arbeidsstykket som blir behandlet.

⚠ADVARSEL: Sørg for å identifisere vernetiltak for å beskytte operatøren, som er basert på et estimat av eksponeringen under de faktiske bruksforholdene (idet det tas hensyn til alle deler av driftssyklusen, dvs. hvor lenge verktøyet er slått av, hvor lenge det går på tomgang og hvor lenge startbryteren faktisk holdes trykket).

Passende batteri og lader

Batteri	BL1815N / BL1820B / BL1830B / BL1840B / BL1850B / BL1860B
Lader	DC18RC / DC18RD / DC18RE / DC18SD / DC18SE / DC18SF / DC18SH / DC18WC

- Noen av batteriene og laderne som står oppført over, er kanskje ikke tilgjengelige etter hvilken region du befinner deg i.
- Les instruksjonshåndboken for batteriladeren for hvordan du lader batteriet.

⚠ ADVARSEL: Bare bruk batteriene og laderne som står oppført ovenfor. Bruk av andre batterier og ladere kan føre til skader og/eller brann.

Viktige sikkerhetsinstruksjoner for batteri

1. Før du bruker batteriet må du lese alle instruksjoner og farevarslinger på (1) batteriladeren, (2) batteriet og (3) produktet som bruker batteriet.
2. Ikke demonter eller manipuler batteriet. Det kan føre til brann, sterk varme eller eksplosjon.
3. Hvis driftstiden har blitt betydelig kortere, må du opphøre bruken øyeblikkelig. Det kan forekomme risiko for overoppheting, mulige brannskader og til og med eksplosjon.
4. Hvis du får elektrolytt i øynene, må du skylle dem med rent vann og oppsøke lege med en gang. Det kan føre til at du mister synet.
5. Ikke kortslutt batteriet:
 - (1) Ikke berør terminalene med ledende materiale.
 - (2) Unngå å oppbevare batteriet i en beholder med andre metallgjenstander som spikrer, mynter osv.
 - (3) Ikke utsett batteriet for vann eller regn. En batterikortslutning kan forårsake stor strømgjennomgang, overoppheting, mulige brannskader eller til og med havari.
6. Ikke oppbevar eller bruk verktøyet og batteriet på steder der temperaturen kan nå eller overstige 50 °C (122 °F).
7. Ikke brenn batteriet, selv om det er betydelig skadet eller fullstendig oppbrukt. Batteriet kan eksplodere i en brann.
8. Ikke spikre, kutt, klem, kast eller slipp batteriet eller slå det mot en hard gjenstand. Slike handlinger kan forårsake brann, sterk varme eller eksplosjon.
9. Ikke bruk et skadet batteri.
10. Litiumion-batteriene det inneholder er underlagt kravene i lov om farlig gods.

Ved kommersiell transport, f.eks. av tredjepart, som speditører, må de spesielle kravene på emballasjen og merkingen følges.

Hør med en ekspert på farlige materialer angående klargjøring av artikkelen som skal sendes. Følg også nasjonale forskrifter som kanskje er mer detaljerte.

Sett teip på eller masker åpne kontakter og pakk inn batteriet slik at det ikke kan forflytte seg rundt i emballasjen.

11. Når batteriet skal avhendes, må du ta det ut av verktøyet og avhende det på et trygt sted. Følg lokale forskrifter angående avhending av batterier.
12. Bruk batteriene kun med produktene som er spesifisert av Makita. Hvis batteriene installeres i produkter som ikke er kompatible, kan det oppstå brann, sterk varme, eksplosjon eller elektrolyttlekkasje.
13. Hvis ikke verktøyet skal brukes på lang tid, må batteriet tas ut av verktøyet.
14. Batteriet kan være varmt under og etter bruk, noe som kan forårsake brannskader eller varmeskader. Vær oppmerksom på hvordan varme batterier skal håndteres.
15. Ikke berør terminalen på verktøyet umiddelbart etter bruk, da det kan bli varmt nok til å forårsake brannskader.
16. Ikke la det komme spon, støv eller jord inn i terminalene, åpningene og sporene på batteriet. Det kan føre til oppvarming, brann, eksplosjon og feilfunksjon av verktøyet eller batteriet, noe som kan føre til brannskader eller personsikader.
17. Med mindre verktøyet støtter bruk nær høyspentledninger, må ikke batteriet brukes nær høyspentledninger. Det kan føre til feilfunksjon eller havari av verktøyet eller batteriet.
18. Hold batteriet unna barn.

TA VARE PÅ DISSE INSTRUKSJONENE.

⚠ FORSIKTIG:

- Bruk kun originale Makita-batterier.

Bruk av batterier som ikke er originale Makita-batterier, eller batterier som har blitt endret, kan føre til at batteriet eksplodere og forårsaker brann, personsikade og ødeleggelser. Det vil også ugyldiggjøre Makita-garantien for Makita-verktøyet og laderen.

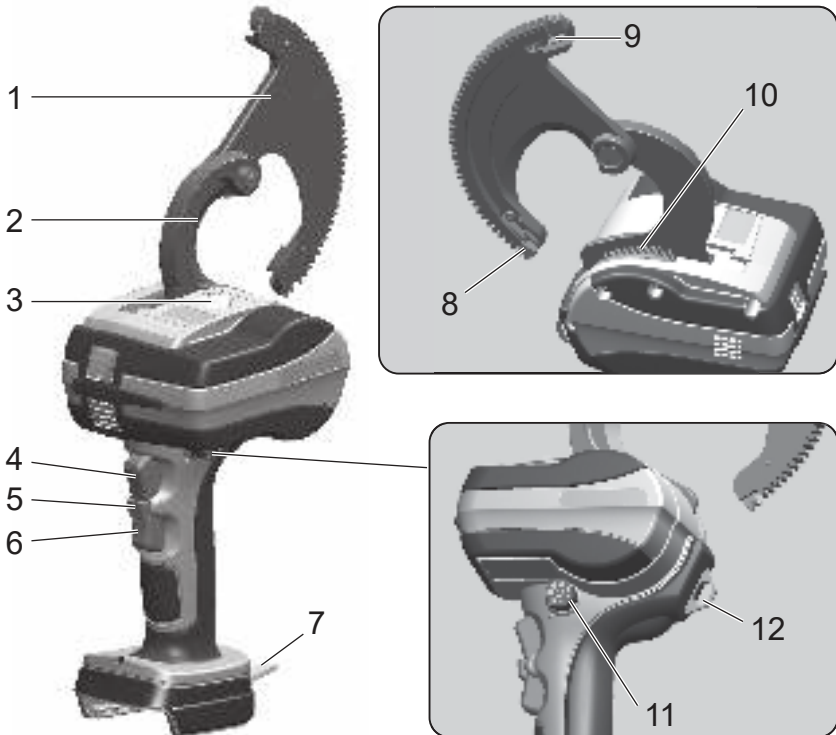
Tips for å opprettholde maksimal batterilevetid

1. **Lad batteriet før det blir helt utladet. Slutt alltid å bruke verktøyet og lad batteriet når du merker at verktøyet har mindre kraft.**
2. **Aldri lad et fulladet batteri. Overlading forkorter batteriets levetid.**
3. **Lad batteriet i romtemperatur på 10 °C–40 °C (50 °F–104 °F). La et varmt batteri kjøles av før det lades.**
4. **Når du ikke bruker batteriet, må du ta det ut av verktøyet eller laderen.**
5. **Lad batteriet hvis du ikke skal bruke det på lang tid (mer enn seks måneder).**

Navn og tilbehør

DTC100

Batteridrevet kabelkutter



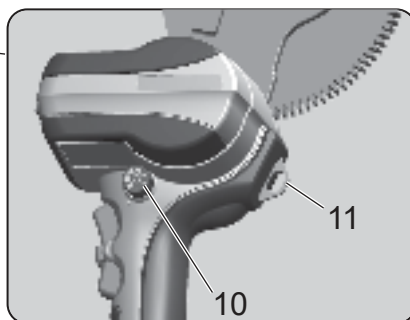
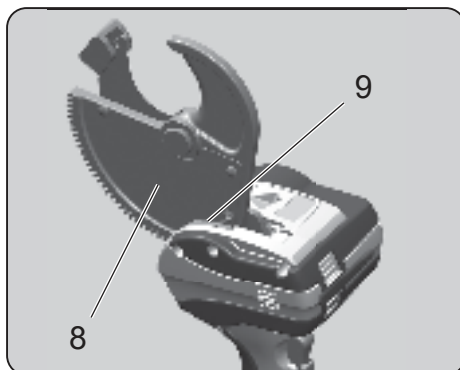
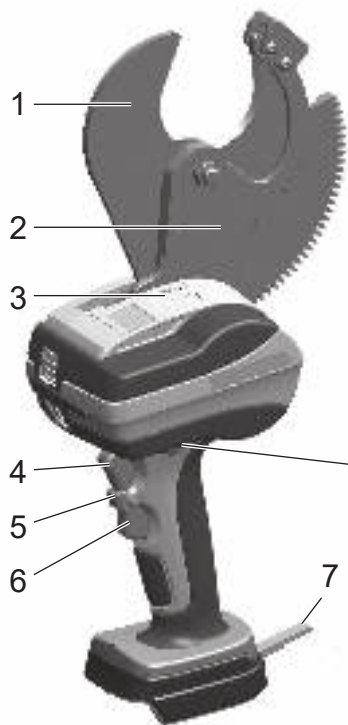
Bæresveske



* Dette verktøyet er laget for Makita 18 V litiumion-batteri.

1	Bevegelig blad	7	Hengestropp
2	Stasjonært blad	8	Tannhjulføring (A)
3	LED-arbeidslys	9	Tannhjulføring (B)
4	Foroverbryter	10	Børste (til støvfjerning)
5	Bryterlås	11	Dreieknapp
6	Bakoverbryter	12	Henging

Batteridrevet kabelkutter



Bæreveske



* Dette verktøyet er laget for Makita 18 V litiumion-batteri.

1	Bevegelig blad	7	Hengestropp
2	Stasjonært blad	8	Bevegelig bladplate
3	LED-arbeidslys	9	Børste (til støvfjerning)
4	Foroverbryter	10	Dreieknapp
5	Bryterlås	11	Hengering
6	Bakoverbryter	—	—

Batteri

Batteri

- Det kan hende at batteribeskyttelsesfunksjonen er aktivert på kjøpstidspunktet fordi batteriet ikke er tilstrekkelig ladet. (Vær forsiktig, for dette produktet kan starte hvis du betjener bryteren.) Lad batteriet riktig med hurtigladeren før bruk.
- Sett på batteridekselet når produktet ikke er i bruk. Det vil hjelpe med å beskytte batteriet mot vann og støv.
- Hvis produktet ikke skal brukes på lang tid, må det oppbevares med batteriet fjernet.

Øke batteriets levetid

- Når du merker at kraften til verktøyet er svekket, må du stanse bruken og lade batteriet.
- Ikke lad et batteri som er helt oppladet.
- Lad batteriet i en omgivelsestemperatur i området 10 °C til 40 °C.
- Når batteriet har blitt varmt, for eksempel like etter bruk, anbefaler vi at du setter det i laderen for å kjøle det av og lade det.
- Når et litiumion-batteri ikke skal brukes på lang tid (minst seks måneder), anbefaler vi å lade det og deretter sette det til oppbevaring.

Batteriinnsamling

- Brukte batterier samles inn til resirkulering. Ta batteriet med til butikken der du kjøpte produktet eller til et Makita-salgskontor.



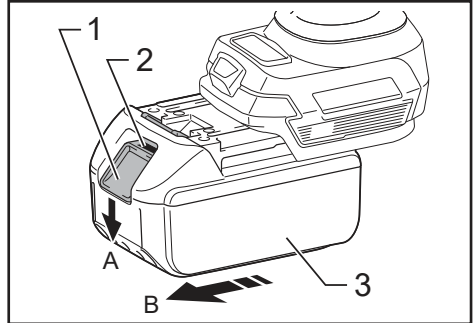
Resirkuler litiumion-batteriet

Løsne og feste batteriet

⚠ ADVARSEL:

Sett batteriet ordentlig inn i produktet. Hvis den røde delen øverst på knappen er synlig, er ikke batteriet helt låst på plass. Sett batteriet godt inn til ikke noe av den røde delen kan ses.

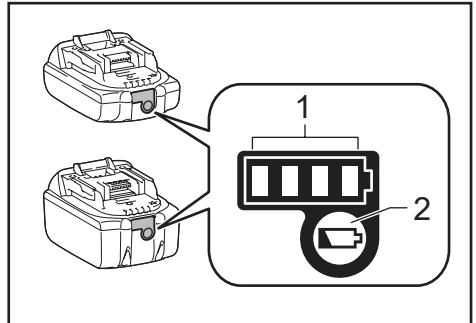
- Hvis ikke batteriet settes tilstrekkelig inn, kan det løsne og forårsake ulykke.
- Løsne batteriet fra produktet: A. Hold nede knappen foran på batteriet og B. skyv batteriet for å fjerne det.
- Når du skal feste batteriet, retter du inn batteriet etter sporene i produktet og setter det helt inn ved å utføre prosedyren i motsatt rekkefølge. Hvis den røde delen øverst på knappen er synlig på dette tidspunktet, er ikke batteriet helt låst på plass. Sett batteriet ordentlig inn, hele veien til ikke noe av den røde delen kan ses.



► 1. Knapp 2. Rød del 3. Batteri

Vise gjenværende batterikapasitet

Kun for batterier med indikator



► 1. Indikatorlamper 2. Kontrollknapp

Trykk på kontrollknappen på batteriet for å vise gjenværende batterikapasitet. Indikatorlampene lyser i noen sekunder.

Indikatorlamper			Gjenværende kapasitet
Lyser	Av	Blinker	
■ ■ ■ ■			75 % til 100 %
■ ■ ■ □			50 % til 75 %
■ ■ □ □			25 % til 50 %
■ □ □ □			0 % til 25 %
▬ □ □ □			Lad batteriet.
■ ■ □ □			Batteriet kan ha en feilfunksjon.
□ □ ■ ■			

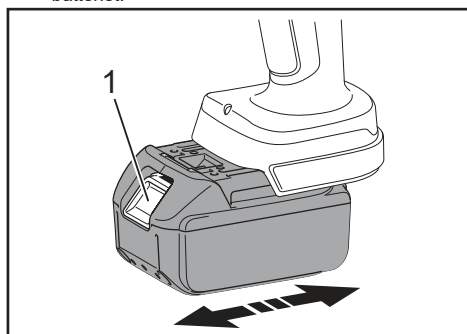
MERK: Avhengig av bruksforholdene og omgivelsestemperaturen, kan indikasjonen være noe forskjellig fra den faktiske kapasiteten.

MERK: Den første indikatorlampen (helt til venstre) blinker når batteribeskyttelsessystemet virker.

Hvordan verktøyet brukes

Feste batteriet

1. Trykk inn låsen og trekk ut batteriet. Når du skal sette inn batteriet, skyver du det nye batteriet godt på plass.
2. Etter at du har skjøvet inn batteriet, må du kontrollere at det sitter godt på plass ved å trekke forsiktig i det. Ikke trykk på låsen mens du trekker i batteriet.

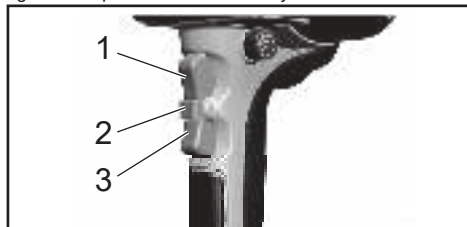


► 1. Lås

Bryterbetjening

Av sikkerhetsårsaker har verktøyet et todelt brytersystem.

For å aktivere bryteren for forovermodus (kutting) og bakovermodus (revers), trykker du først på bryterlåsen og deretter på forover-/bakoverbryteren.



► 1. Foroverbryter 2. Bryterlås
3. Bakoverbryter

LED-arbeidslampe

Dette verktøyet har en LED-lampe som lyser opp omgivelsene rundt skjærebladet. Den lyser når enten forover- eller bakoverknappen er på, og slås deretter av ca. 10 sekunder etter at bryteren slippes.

⚠FORSIKTIG:

- Ikke se direkte på LED-lampen. Øynene kan bli skadet av å se på LED-lampen i lengre tid.

Alarm for lav batterikapasitet

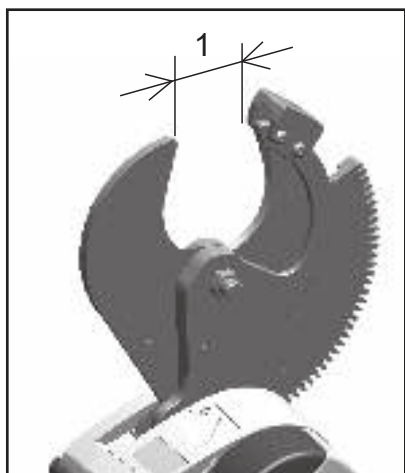
Hvis den gjenværende kapasitet til batteriet er lavt, blinker LED-lampen 5 ganger som en alarm når foroverbryteren er på. Lad batteriet eller bytt det ut med et reserve.

Kutteoperasjoner

1. [DTC100]
Aktiver bryteren for å åpne det bevegelige bladet. Bruk forover- og bakoverbryterne til å sette det bevegelige bladet i nøytral stilling.



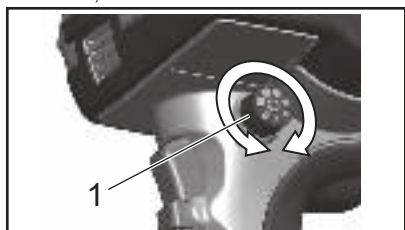
1. [DTC101]
Pass på at åpningen er tilstrekkelig. Pass på at åpningen er stor nok til å plassere en kabel. Hvis åpningen er for liten, trykker du på bakoverbryteren for å utvide.



► 1. Åpning

2. Bruk dreieknappen til å aktivere eller deaktivere autorevers

Drei knappen til ønsket posisjon for å aktivere autorevers, eller drei den til av for å deaktivere.

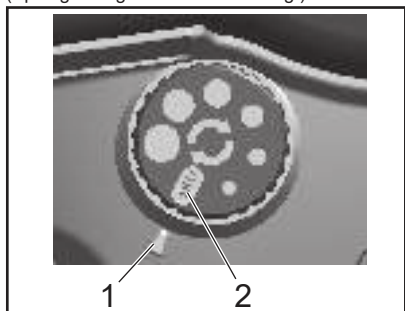


► 1. Dreieknapp

Autoreversfunksjonen

Når autorevers er aktivert, bremser motoren etter å ha kuttet en kabel. Når foroverbryteren slippes, går det bevegelige bladet automatisk tilbake slik som angitt med dreieknappen.

Åpningen kan justeres mellom seks nivåer. (Åpningsmengden er en veiledning.)



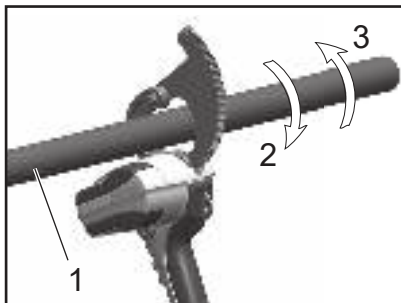
► 1. Åpningsmengde 2. Av

⚠FORSIKTIG:

- Autorevers aktiveres ikke hvis foroverbryteren slippes før kuttingen er fullført.
- Autorevers aktiveres ikke med tynne strømkabler på 60 mm² eller mindre.
- Åpningsdiametere kan være forskjellig avhengig av gjenværende batterispenning.

3. [DTC100]
Sette strømkabel inn i åpningen til det bevegelige bladet

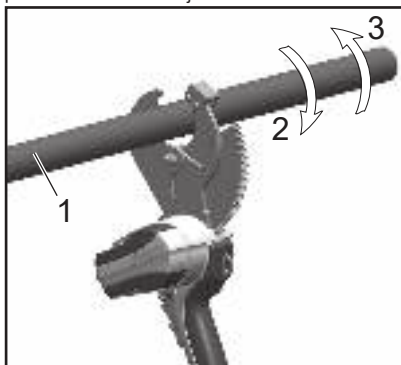
Sett kabelen som skal kuttes på det stasjonære bladet og lukk det bevegelige bladet rundt kabelen. Før frem det bevegelige bladet for hånd slik at hjultennene kommer i inngrep med drivmekanismen til enheten.



► 1. Kabel 2. Kutterotasjon
3. Bakoverrotasjon

3. [DTC101]
Sette strømkabel inn i åpningen til det bevegelige bladet

Sett kabelen som skal kuttes inn i bladåpningen og på siden med det stasjonære bladet.



► 1. Kabel 2. Kutterotasjon
3. Bakoverrotasjon

4. Betjene foroverbryteren og kutte strømkabel
Hold foroverbryteren nede til kuttingen er fullført.
5. Fjern avfall etter kutting.
Når kuttingen er fullført, må du fjerne eventuelt avfall eller rester fra bladet.

⚠FORSIKTIG:

• Langvarig bruk

For å beskytte motoren bør du slutte å bruke verktøyet når området rundt varseletiketten blir varmt. For å fortsette å bruke verktøyet, kan du sette det på et kjølig og godt ventilert sted i 50 minutter til det er avkjølt.

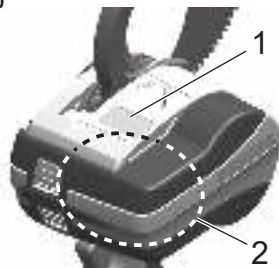
• Overstrøm-/overbelastningsvernet kan også bli aktivert selv når verktøyet brukes innenfor kuttekapasiteten.

Driftstemperaturen, kabellengden, bend og andre faktorer påvirker verktøyets ytelse.

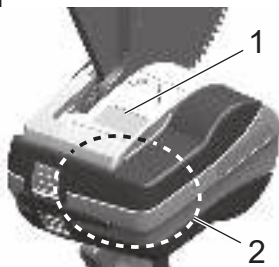
• Hvis LED-lampen blinker 6 ganger eller mer, viser det en feil med kretskortet.

Ta kontakt med forhandleren.

DTC100



DTC101



► 1. Varselsetikett 2. Advarselsområde for sterk varme

⚠FORSIKTIG:

- DTC100 og DTC101 er kun til kobber- og aluminiumskabler. Ikke bruk disse verktøyene til stål, ACSR eller andre stålmaterialer.

Overstrømvernfunksjonen

Hvis det forekommer overstrøm på grunn av kutting av kabel utenfor spesifikasjonen, aktiveres overstrømvernfunksjonen og stopper motoren. For å starte igjen, må du slippe foroverbryteren.

Skifte ut med reservedeler (DTC100)

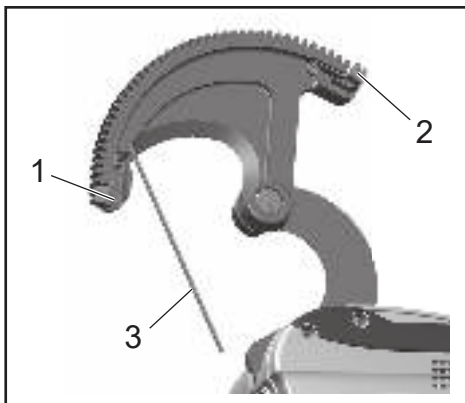
Hvis du skal skifte tannhjulføring selv, følger du fremgangsmåten nedenfor.

⚠FORSIKTIG:

- Pass på å ta av batteriet fra hovedenheten før du skifter ut tannhjulføringen.
- Hvis tannhjulføringen er skadet eller avgir unormale lyder, må den skiftes ut umiddelbart. Hvis du fortsetter å bruke produktet med skadet tannhjulføring, kan de innvendige tannhjulene bli skadet.

Skifte tannhjulføringen

1. Ta av tannhjulføringen
Bruk en sekskantnøkkel til å skru ut bolten med sekskanthullet (M3 × 3) og ta av tannhjulføringen.
2. Montere tannhjulføringen
Monter den nye tannhjulføringen og stram bolten godt.



► 1. Tannhjulføring (A) 2. Tannhjulføring (B)
3. Sekskantnøkkel

Skifte ut med reservedeler (DTC101)

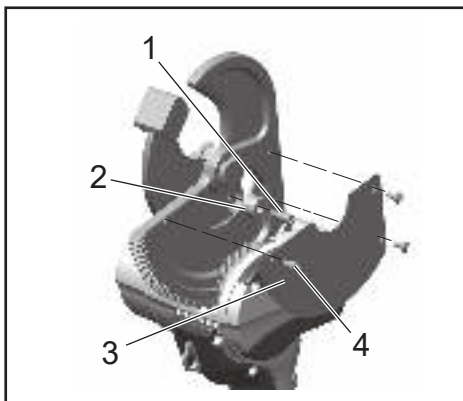
Hvis du skal skifte stopperen selv, følger du fremgangsmåten nedenfor.

⚠️ FORSIKTIG:

- Pass på å ta av batteriet fra hovedenheten før du skifter ut stopperen.

Skifte stopperen

1. Fjern rundhodeskruene, platen og skulderbolten (37), og ta deretter av stopperen.
2. Fest den nye stopperen med skulderbolten, påfør låsemiddel på skruen, og stram deretter helt.
3. Fest platen og skru inn rundhodeskruene.

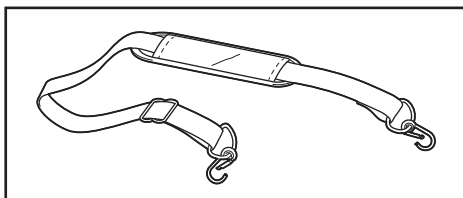


- 1. Skulderbolt (37) 2. Stopper 3. Plate
4. Rundhodeskruer

Valgfritt tilbehør

• Skulderbelte (161347-8)

Denne skulderstroppen brukes ved å koble til hengestroppen på verktøyet.



Vedlikehold/inspeksjon

- Vær oppmerksom på at dersom daglig vedlikehold/inspeksjon unnlates, kan det føre til at verktøyet feilfungerer.
- Unngå å oppbevare verktøyet i fuktige omgivelser, for å opprettholde smidig drift og hindre rust.
- Hvis verktøyet blir skadet under normal bruk (10 000 operasjoner eller mer, 1 000 kutt eller mer), må du ikke gjenoppta bruken etter kun å ha skiftet ut den skadde delen, da det har nådd slutten på sin levetid.
- Når en harpiksdel blir skitten, tørker du den av med en myk klut fuktet med såpevann.
- Når batteriet oppbevares for seg selv, må du sørge for å sette på tilbehørsterminaldekselet for å unngå kortslutning.
- For sikkerhetsinspeksjon anbefaler vi å sende inn verktøyet til produsenten omtrent én gang annethvert år (kostnad påløpes). Ta kontakt med forhandleren for nærmere informasjon.

Spesifikasjoner

Batteridrevet kabelkutter	DTC100	DTC101
Maksimal kuttbar diameter	Kun jernfrie materialer (Al eller Cu)	
	φ50 mm (Cu-tråd φ30 mm / Al-tråd φ38 mm)	
Elektrisk motor	Likestrømmotor	
Dimensjoner	117 (D) × 320 (H) × 197 (B) (mm)	117 (D) × 380 (H) × 189 (B) (mm)
Vekt	2,2 kg	2,9 kg

⚠️ FORSIKTIG:

- DTC100 og DTC101 er kun til kobber- og aluminiumskabler. Ikke bruk disse verktøyene til stål, ACSR eller andre stålmaterialer.

Samsvarserklæringer

Kun for europeiske land

Samsvarserklæringen er inkludert i vedlegg A til denne instruksjonshåndboken.

SUOMI: Alkuperäisten ohjeiden käännös

VAROITUS: Lue ja ymmärrä kaikki tässä käyttöoppaassa ja ohjeissa olevat ohjeet ja turvallisuustiedot. Käyttö muuhun kuin käyttötarkoitukseen voi johtaa vakavaan loukkaantumiseen tai kuolemaan.

- Kiitos, että ostit akkukaapelileikkurimme.
- Lue käyttöopas huolellisesti kokonaan ennen kuin yrität käyttää laitetta. Kun olet lukenut käyttöoppaan, laita se paikkaan, josta se on helposti saavutettavissa.
- Kuvas
Mekaaniset leikkurit ovat akkukäyttöisiä leikkureita, jotka on suunniteltu nykyisin teollisuudessa käytettävien kaapeleiden leikkaamiseen.

Varoimenpiteet

VAROITUS: Lue kaikki turvallisuuteen liittyvät varoitukset ja kaikki käyttöohjeet. Varoitusten ja ohjeiden noudattamatta jättäminen saattaa aiheuttaa sähköiskun, tulipalon ja/tai vakavan henkilövahingon.

Säilytä kaikki varoitukset ja ohjeet tulevien tarpeiden varalta.

VAROITUS: Käyttäjä voi kuolla tai loukkaantua vakavasti, jos tätä tuotetta käytetään väärin.

1) Työskentelyalueen turvallisuus

- Pidä työskentelyalue siistinä ja hyvin valaistuna. Sotkuiset tai hämärät alueet aiheuttavat onnettomuuksia.
- Älä käytä sähkötyökaluja räjähdysherkässä ympäristössä, kuten syttyvien nesteiden, kaasujen tai pölyn läheisyydessä. Sähkötyökalut muodostavat kipinöitä, jotka saattavat sytyttää pölyn tai höyryt.
- Pidä lapset ja sivulliset etäällä, kun käytät sähkötyökalua. Häiriötekijät voivat aiheuttaa hallinnan menettämisen.

2) Sähköturvallisuus

- Sähkötyökalujen pistokkeiden on vastattava pistorasiaa. Älä koskaan muuntele pistoketta millään tavoin. Älä käytä sovitinpistokkeita maadoitettujen sähkötyökalujen kanssa. Muuntelemattomat pistokkeet ja niitä vastaavat pistorasiat vähentävät sähköiskun vaaraa.
- Vältä vartalokosketusta maadoitettuihin pintoihin, kuten putkiin, lämmityspattereihin, liesiin ja jääkaappeihin. Sähköiskun vaara on suurempi, jos vartalosi on maadoitettu.
- Älä altista sähkötyökalua sateelle tai muille märille olosuhteille. Sähkötyökaluun pääsevä vesi lisää sähköiskun vaaraa.
- Älä käytä virtajohtoa väärin. Älä koskaan kannan tai vedä laitetta johdosta tai irrota pistoketta johdosta vetämällä.
Pidä johto loitolla kuumuudesta, öljystä, terävistä reunoista ja liikkuvista osista. Vahingoittuneet tai sotkeutuneet johdot lisäävät sähköiskun vaaraa.

- Kun käytät sähkötyökalua ulkona, käytä ulkokäyttöön tarkoitettua jatkojohtoa. Ulkokäyttöön tarkoitettun jatkojohtoon käyttö vähentää sähköiskun vaaraa.
- Jos et voi välttää sähkötyökalun käyttöä kosteissa olosuhteissa, käytä vikavirtasuojakytkimellä (vvs) suojattua virtälähdettä. Vikavirtasuojakytkimen käyttö vähentää sähköiskun vaaraa.

3) Henkilökohtainen turvallisuus

- Ole valpas, katso, mitä teet ja käytä tervettä järkeä, kun työskentelet sähkötyökalun kanssa.
Älä käytä sähkötyökalua, jos olet väsynyt tai huumeiden, alkoholin tai lääkkeiden vaikutuksen alaisena. Hetken tarkkaamattomuus sähkötyökalua käytettäessä saattaa johtaa vakavaan loukkaantumiseen.
- Käytä henkilösuojaimia. Käytä aina suojalaseja. Suojavarusteiden, kuten hengityssuojaimen, luistamattomien turvakien, suojakypärän tai kuulonsuojaimien, käyttö tarvittaessa vähentää loukkaantumisriskiä.
- Estä tahaton käynnistyminen. Varmista, että kytkin on pois päältä ennen työkalun liittämistä virtälähteeseen ja/tai akkuun, sen ottamista käteen tai kantamista. Työkalun kantaminen sormi virtakytkimellä tai virta kytkettyä olevan työkalun liittäminen pistorasiaan muodostaa onnettomuusvaaran.
- Irrota säätö- ja ruuviavaimet ennen työkalun virran kytkemistä päälle. Työkalun pyöriivään osaan kiinni jäänyt säätöavain tai -työkalu saattaa aiheuttaa loukkaantumisen.
- Älä kurkottele. Säilytä aina tukeva asento ja hyvä tasapaino. Näin hallitset sähkötyökalun parhaalla mahdollisella tavalla odottamattomissa tilanteissa.
- Pukeudu asianmukaisesti. Älä käytä väljiä vaatteita tai koruja. Pidä hiukset, vaatteet ja käsineet etäällä liikkuvista osista. Väljät vaatteet, korut tai pitkät hiukset voivat tarttua kiinni liikkuviin osiin.
- Jos laitteissa on liitännät pölynpoistolaitteille ja keräilylaitteille, varmista, että ne on liitetty ja niitä käytetään oikein. Pölynpoistolaitteiden käyttö vähentää pölyyn liittyviä vaaroja.

- h) Älä anna tuotteen tuttuuden toistuvan käytön takia tehdä sinua liian itsevarmaksi, äläkä jätä työkalun turvallisuusohjeita noudattamatta. Huolimaton toiminta voi aiheuttaa vakavan henkilövahingon sekunnin murto-osassa.

4) Sähkötyökalun käyttö ja hoito

- a) Älä käytä sähkötyökalua väkisin. Käytä omaan käyttötarkoitukseesi soveltuvaa sähkötyökalua. Oikea sähkötyökalu suoriutuu parhaiten ja turvallisimmin tehtävästä sille tarkoitettulla nopeudella.
- b) Älä käytä sähkötyökalua, jota ei enää voida käynnistää ja pysäyttää kytkimellä. Sähkötyökalu, jota ei enää voida hallita käynnistyskytkimellä, on vaarallinen ja se täytyy korjata.
- c) Irrota pistoke virtalähteestä tai akku sähkötyökalusta ennen säätöjen tekemistä, lisävarusteiden vaihtamista tai sähkötyökalujen asettamista säilytykseen. Nämä ennaltaehkäisevät varotoimet vähentävät sähkötyökalun tahattoman käynnistymisen vaaraa.
- d) Kun työkalua ei käytetä, säilytä sitä poissa lasten ja sellaisten henkilöiden ulottuvilta, jotka eivät tunne sähkötyökalua tai näitä ohjeita. Sähkötyökalut ovat vaarallisia kokemattomien käyttäjien käsissä.
- e) Huolla sähkötyökalut ja lisävarusteet. Tarkista virheellinen kohdistus ja liikkuvien osien kiinnileikkaaminen, osien rikkoutuminen sekä kaikki muut tilat, jotka voivat vaikuttaa sähkötyökalun toimintaan. Jos sähkötyökalu on vaurioitunut, toimita se korjattavaksi ennen käyttöä. Monen tapaturman syyt löytyvät huonosti huolletuista laitteista.
- f) Pidä leikkuuterät terävinä ja puhtaina. Hyvin huolletut leikkuuterät joissa on terävät reunat, eivät todennäköisesti jumiuu ja niitä on helpompi hallita.
- g) Käytä sähkötyökalua, sen lisävarusteita ja teriä ym. näiden ohjeiden mukaisesti ottaen huomioon työskentelyolosuhteet ja suoritettava työ.

Sähkötyökalun käyttö muihin kuin sille suunniteltuihin käyttötarkoituksiin voi aiheuttaa vaaratilanteita.

- h) Pidä kahvat ja tartuntapinnat kuivina, puhtaina, öljyttöminä ja rasvattomina. Liukkaat kahvat ja tartuntapinnat eivät mahdollista työkalun turvallista käsittelyä ja hallintaa odottamattomissa tilanteissa.

5) Akkutyökalun käyttö ja hoito

- a) Lataa vain valmistajan määrittämällä laturilla. Laturi, joka sopii yhdyntyyppiselle akulle voi aiheuttaa tulipalovaaran, jos sitä käytetään toisenlaisen akun kanssa.
- b) Käytä sähkötyökaluissa vain erityisesti niihin tarkoitettuja akkuja. Muunlaisten akkujen käyttö saattaa aiheuttaa loukkaantumisen tai tulipalon vaaran.
- c) Kun akkua ei käytetä, pidä se loitolla muista metalliesineistä, kuten paperiliittimistä, kolikoista, avaimista, nauloista ja ruuveista sekä muista pienistä metalliesineistä, jotka voivat muodostaa ytkennän napojen välille. Akun napojen oikoskulu voi aiheuttaa palovammoja tai tulipalon.

- d) Akusta voi valua nestettä väärästä käytöstä johtuen; vältä kosketusta siihen. Jos kosket nesteeseen vahingossa, huuhtelee vedellä. Jos nestettä pääsee silmiin, hakeudu lääkärin hoitoon.

Akusta valuva neste voi aiheuttaa ärsytystä tai palovammoja.

- e) Älä käytä akkua tai työkalua, joka on vaurioitunut tai jota on muutettu. Vaurioituneet tai muutetut akut voivat käyttäytyä arvaamattomasti ja aiheuttaa tulipalon, räjähdyksen tai henkilövahingon vaaran.
- f) Älä altista akkua tai työkalua tulelle tai äärimmäisille lämpötiloille. Altistaminen yli 130 °C:n lämpötilalle voi aiheuttaa räjähdyksen.
- g) Noudata kaikkia latausohjeita, äläkä lataa akkua tai työkalua lämpötilassa, joka ei ole ohjeissa ilmoitetun lämpötila-alueen rajoissa. Virheellinen lataaminen tai lataaminen ilmoitetun lämpötila-alueen ulkopuolella olevassa lämpötilassa voi vaurioittaa akkua ja lisätä palovaaraa.

6) Huolto

- a) Huollata sähkötyökalu pätevällä huoltohenkilöllä, joka käyttää vain alkuperäisiä osia. Näin taataan sähkötyökalun turvallisuuden säilyminen.
- b) Älä koskaan huolla vaurioituneita akkuja. Akkujen huollon saa tehdä vain valmistaja tai sen valtuuttamat huoltoilikkeet.

Pidä sähkötyökalua eristetyistä tartuntapinnoista tehdessäsi työtä, jossa kiinnitin voi joutua kosketuksiin piilossa olevan sähköjohdon kanssa. Kiinnittimen kosketus ”jännitteeseen” johtoon tekee myös sähkötyökalun metalliosat ”jännitteisiksi” ja saattaa aiheuttaa sähköiskun käyttäjälle.

Käytä aitoa Makita-akkulaturia ja -akkua.

- Käytä tässä työkalussa aitoa akkua.
- Älä lataa akkua muulla akkulaturilla. Tämän noudattamatta jättäminen voi aiheuttaa murtumisen, joka voi johtaa onnettomuuteen tai loukkaantumiseen.

Lataa akku oikealla tavalla.

- Liitä tämän tuotteen mukana toimitettu akkulaturi virtalähteeseen, jossa on nimellisarvomerkitä.
- Älä käytä akun lataamiseen tasavirtalähdettä tai moottorikäyttöistä generaattoria. Tämän noudattamatta jättäminen voi aiheuttaa liiallista lämpöä, joka voi johtaa tulipaloon.
- Älä lataa akkua, kun ympäristön, akun tai akkulaturin lämpötila on alle 0 °C tai yli 40 °C. Tämän noudattamatta jättäminen voi aiheuttaa murtumisen tai tulipalon.
- Kun lataat akkua, valitse latausta varten hyvin ilmastoitu paikka.
- Älä peitä akkua liinalla latauksen aikana. Tämän noudattamatta jättäminen voi aiheuttaa murtumisen tai tulipalon.
- Muista irrottaa verkkopistoke latauksen jälkeen. Tämän noudattamatta jättäminen voi aiheuttaa sähköiskun tai tulipalon.

Älä suuntaa leikkuria ihmisiä kohti käytön aikana.

- Tämän noudattamatta jättäminen voi johtaa loukkaantumiseen.

Älä oikosulje akun napoja.

- Kun akkua säilytetään yksinään, muista laittaa liittinsuojus liittimen päälle oikosulun estämiseksi. Varmista, että akun napoihin ei tule oikosulkuja muista metalliosista, kuten ruuveista, nauloista jne.

Älä altista akkua liekeille.

- Tämän noudattamatta jättäminen voi aiheuttaa murtumisen tai vaarallisten aineiden vuotamisen.

Älä käytä jännitteisiin osiin.

- Työkalua ei ole eristetty. Käyttö jännitteisissä paikoissa voi aiheuttaa sähköiskun.
- Älä koske pistokkeeseen tai akkuun märin käsin. Tämän noudattamatta jättäminen voi johtaa sähköiskuun.

Irrota akku työkalun rungosta seuraavissa tilanteissa.

- Kun työkalua ei käytetä tai sitä korjataan.
- Kun vaihdat varaosia.
- Muina aikoina, kun epäillään vaaraa. Näiden varoitusten noudattamatta jättäminen voi aiheuttaa työkalun tahattoman kytkeytymisen ja aiheuttaa loukkaantumisen.

Työkalun tahaton käynnistäminen.

- Varmista, että sormet ovat kaukana liipaisimesta, kun siirät työkalua. Työkalun odottamaton käynnistyminen voi aiheuttaa loukkaantumisen.

Käytä vain suositeltuja lisävarusteita.

- Älä käytä muita kuin tässä käyttöohjeessa tai luettelossa mainittuja lisävarusteita. Tämän noudattamatta jättäminen voi johtaa onnettomuuteen tai loukkaantumiseen.

Käytä suojavarusteita.

- Käytä suojalaseja käytön aikana. Jos käyttö on pölyistä, käytä suojamaskia. Leikattaessa pienet kappaleet voivat hajota ja aiheuttaa vammoja.

Älä tuijota LED-työvaloa.

- Se voi heikentää näköä.

Huomioi työympäristö.

- Älä käytä työkalua, akkulatoria tai akkua sateessa tai märässä tai kosteassa paikassa. Tämän noudattamatta jättäminen voi aiheuttaa sähköiskun tai savua.
- Suorita työ riittävän valoisassa paikassa. Työskentely pimeässä paikassa voi aiheuttaa onnettomuuden.
- Älä käytä tai lataa akkua lähellä syttyviä nesteitä tai kaasuja. Tämän noudattamatta jättäminen voi aiheuttaa räjähdyksen tai tulipalon.

Pidä työskentelypaikka aina puhtaana.

- Sotkuiset paikat ja työpenkit voivat aiheuttaa onnettomuuden.

Pidä lapset etäällä työkalusta.

- Älä anna muiden kuin käyttäjien koskea työkaluun ja akkulatorin johtoon. Pidä muut ihmiset poissa työalueelta. Tämän noudattamatta jättäminen voi aiheuttaa loukkaantumisen.

Säilytä työkalu asianmukaisesti, kun sitä ei käytetä.

- Säilytä työkalua paikassa, jossa kosteus on vähäistä, sekä korkealla paikassa, johon lapset eivät pääse tai paikassa, joka voidaan lukita. Tämän noudattamatta jättäminen voi aiheuttaa loukkaantumisen.
- Älä säilytä työkalua tai akkua paikassa, jossa lämpötila voi nousta 40 °C:een tai korkeammaksi (metallialtaikon sisällä, auton sisällä kesällä jne.). Tämän noudattamatta jättäminen voi heikentää akkua, mikä voi johtaa savunmuodostukseen tai syttymiseen.

Älä käytä työkalua epäasianmukaisesti.

- Käytä työkalua sen kapasiteetin mukaisesti turvallisen ja tehokkaan käytön varmistamiseksi. Työkalun käyttö yli sen kapasiteetin voi aiheuttaa onnettomuuden.
- Älä käytä työkalua epäasianmukaisesti, se aiheuttaa moottorin lukittumisen. Tämän noudattamatta jättäminen voi aiheuttaa savua tai syttymisen.

Käytä työhön soveltuvaa työkalua.

- Älä käytä työkalua muihin kuin sille määritettyihin käyttötarkoituksiin. Tämän noudattamatta jättäminen voi aiheuttaa loukkaantumisen.

Käytä työssä asianmukaisia vaatteita.

- Älä käytä löysiä vaatteita tai esimerkiksi kaulakoruja. Ne voivat jäädä kiinni liikkuvaan tai pyörivään osaan tai vastaavaan.
- Kun työskentely tapahtuu ulkona, suositellaan kumikäsineiden ja luistamattomien jalkineiden käyttöä. Liukkaat käsineet ja jalkineet voivat aiheuttaa loukkaantumisen.
- Jos sinulla on pitkät hiukset, peitä hiukset myssyllä tai hiussuojuksella. Tämän noudattamatta jättäminen voi aiheuttaa hiusten jäämisen kiinni liikkuvaan osaan, pyörivään osaan tai vastaavaan.

Älä käytä työkalua luonnottomassa asennossa.

- Säilytä aina tukeva asento ja hyvä tasapaino. Tämän noudattamatta jättäminen voi aiheuttaa kaatumisen, mikä voi johtaa loukkaantumiseen.

Pysy valppaana, kun työskentelet keskittyneesti.

- Kun käytät työkalua, ole huolellinen käsittelymenetelmän, käyttötavan ja ympäröivien olosuhteiden suhteen ja suorita työ huolellisesti. Tämän noudattamatta jättäminen voi aiheuttaa onnettomuuden tai loukkaantumisen.
- Älä käytä työkalua alkoholin vaikutuksen alaisena. Tämän noudattamatta jättäminen voi aiheuttaa onnettomuuden tai loukkaantumisen.
- Älä käytä työkalua, jos olet huonossa fyysisessä kunnossa. Tämän noudattamatta jättäminen voi aiheuttaa onnettomuuden tai loukkaantumisen.

Älä käsittele akkulatorin johtoa kovakouraisesti.

- Älä kannata laturia johdosta, äläkä irrota laturia pistorasiasta johdosta vetämällä.
- Pidä johto kaukana kuumuudesta, öljyistä ja terävistä reunoista.

- Varmista, että latausympäristössä kukaan ei voi astua johdon päälle tai kompastua siihen. Tämän noudattamatta jättäminen voi aiheuttaa sähköiskun tai oikosulun, mikä voi johtaa syttymiseen.

Käytä ulkokäyttöön tarkoitettua jatkojohtoa.

- Jos käytät työkalua ulkona, käytä jatkojohtoa, joka on valmistettu kestävästä kumivaippaisesta kaapelista.

Suurita työkalun huolto huolellisesti.

- Noudata käyttöoppaan ohjeita, kun vaihdat varaosia. Tämän noudattamatta jättäminen voi aiheuttaa loukkaantumisen.
- Tarkista akkulatorin johto säännöllisesti. Jos johto on vaurioitunut, pyydä valtuutettua huoltoliikettä korjaamaan se. Tämän noudattamatta jättäminen voi aiheuttaa sähköiskun tai oikosulun, mikä voi johtaa syttymiseen.
- Jos käytetään jatkojohtoa, tarkasta johto säännöllisesti. Jos johto on vaurioitunut, vaihda se uuteen. Tämän noudattamatta jättäminen voi aiheuttaa sähköiskun tai oikosulun, mikä voi johtaa syttymiseen.
- Pidä kahva aina kuivana ja puhtaana ja suojaa se öljyltä ja rasvalta. Tämän noudattamatta jättäminen voi aiheuttaa loukkaantumisen.

Tarkista osat vaurioiden varalta.

- Tarkista ennen käyttöä, ettei mikään osa ole vaurioitunut. Varmista, että työkalu toimii normaalisti ja että kaikki osat toimivat oikein.
- Tarkista liikkuvien osien kohdistus, liikkuvien osien sujuva liike, osien vauriot, asennus sekä kaikki muut seikat, jotka voivat vaikuttaa toimintaan.
- Älä käytä akkulatoria, jonka pistoke tai johto on vaurioitunut tai joka on pudotessaan vaurioitunut. Tämän noudattamatta jättäminen voi aiheuttaa sähköiskun tai oikosulun, mikä voi johtaa syttymiseen. Mikäli se on vaurioitunut, se on korjautettava tai vaihdettava asianmukaisesti valtuutetussa huoltoliikkeessä, ellei tässä käyttöoppaassa toisin mainita. Vaihdata rikkoutuneet kytkimet valtuutetussa huoltoliikkeessä. Älä käytä työkalua, jota ei enää voida käynnistää ja pysäyttää kytkimellä. Tällainen työkalu voi toimia epänormaalisti, mikä voi johtaa loukkaantumiseen.

Pyydä korjausta valtuutetulta huoltoliikkeeltä.

- Älä pura, korjaa tai muuta pääyksikköä, akkulatoria tai akkua. Tämän noudattamatta jättäminen voi aiheuttaa syttymisen tai epänormaalin toiminnan, mikä voi johtaa loukkaantumiseen.
- Jos työkalu kuumenee tai työkalussa havaitaan poikkeavuuksia, pyydä työkalun tarkastusta tai korjausta.
- Tämä työkalu on valmistettu asiaankuuluvien turvallisuusvaatimusten mukaisesti. Älä yritä muuttaa tätä tuotetta.
- Anna työkalu korjattavaksi valtuutettuun huoltoliikkeeseen. Korjaukset saa suorittaa vain pätevä henkilö käyttäen alkuperäisiä varaosia; muussa tapauksessa käyttäjälle voi aiheutua huomattavaa vaaraa.

Varotoimet käytettäessä akkukaapelileikkuria

- Kun käytät tätä työkalua, noudata alla olevia ohjeita:

Työkalua koskevat varotoimenpiteet

- **Älä koskaan leikkaa mitään, joka ylittää enimmäisleikkukapasiteetin.**

Noudata varovaisuutta, sillä tämän ohjeen noudattamatta jättäminen voi johtaa vaurioitumiseen. (katso sivu 212)

- **Älä koske liikkuvien tai kiinteiden terien leikkausreunaan.**

Tämän noudattamatta jättäminen voi johtaa loukkaantumiseen.

- **Älä koskaan leikkaa jännitteisiä johtoja (sähköä johtavia sähkökaapeleita).**

- **Älä altista putoamisille tai muille voimakkaille iskuille.**

Sisäinen rakenne on valmistettu tarkasti, jotta se olisi kompakti ja kevyt, joten se ei välttämättä toimi kunnolla, jos siihen kohdistuu iskuja.

- **Älä käytä sateessa.**

Se voi aiheuttaa terän ruostumista ja leikkausreunan tylsistymistä tai johtaa vaurioihin.

- **Älä leikkaa liian paljon, enintään 50 mm:n pituisia pätkiä.**

CCP-kaapeleiden ja muiden kaapeleiden päiden leikkaaminen erittäin lyhyiksi voi aiheuttaa kaapelien sisäpuolen jne. leikkautumisen.

- **Älä käytä voimaa leikkaussuuntaa vastaan.**

Leikkaa materiaalit aina suoraan. Tämän noudattamatta jättäminen voi vahingoittaa leikkurin terää.

- **Pidä tukevasti kiinni.**

Tämän noudattamatta jättäminen voi johtaa loukkaantumiseen.

- **Varmista, ettei kukaan ole alapuolella, ennen kuin käytät sitä korkealla.**

Materiaalien tai laitteen mahdollinen putoaminen ym. voi johtaa onnettomuuteen.

- **Tarkista ennen käyttöä, ettei mikään ole epänormaalisti.**

Leikkurissa olevat halkeamat tai murtumat voivat vaurioittaa leikkuria ja johtaa loukkaantumiseen.

- **Pidä taukoja käytön aikana.**

Pitkäkestoinen leikkaaminen ilman taukoja ylläpitää moottorin kohonnutta lämpöä, joka voi ylikuumentaa moottorin ja akun, mikä johtaa vaurioitumiseen. Varmista, että pidät ajoittain taukoja käytön aikana.

- **Alhainen ympäristön lämpötila (10 °C tai alle) voi aiheuttaa sähkökaapelin kovettumisen, jolloin sen leikkaaminen vaikeutuu, vaikka se olisikin leikkauskapasiteetin sisällä.**

- **Puhdista ilmalla tms. jokaisen käyttökerran jälkeen.** Varo, etteivät leikkujätteet ja muut roskat pääse laitteeseen aukon (liikkuva teränohjain) kautta.

- **Älä leikkaa sähkökaapeleita, joissa langan halkaisija on 1 mm.**

Tämän noudattamatta jättäminen voi johtaa siihen, että leikkuuterä jää kiinni sähkökaapeliin ja lukkiutuu.

Akun käyttöä koskevat varotoimet

- Älä koskaan oikosulje liittimiä.
- Pidä akku etäällä vedestä, öljystä ja orgaanisista liuottimista.
- Älä pura tai muokkaa akkua.
- Jos akku hävitetään, älä altista sitä liekeille tai hävitä sitä kotitalousjätteen joukossa. (Me edistämme kierrätystä.)
- Älä heitä tai pudota akkua.
- Älä jätä akkua pitkäksi aikaa paikkaan, jossa lämpötila on 40 °C tai korkeampi.
- Älä oikosulje akkua laittamalla likaa tai pölyä akun napaan, sillä tämä johtaa toimintahäiriöön. Jos liitin on syöpynyt, älä käytä akkua.
- Akun käyttöänsä pidentämiseksi se on varustettu suojaominnolla, joka pysäyttää ulostulon. Moottori saattaa pysähtyä, jos akun jäljellä oleva varaustaso on alhainen, vaikka käyttökäytintä painetaan tämän työkalun käytön aikana. Tämä ilmiö ei kuitenkaan johdu toimintahäiriöstä vaan suojaominnosta. Lataa akku välittömästi tällaisessa tapauksessa.

Akkulaturia koskevat varotoimet

- Tässä akkulaturissa on merkivalo (monivärinen LED), joka osoittaa akun lataustilan.
- Älä oikosulje laturia laittamalla likaa tai pölyä latauspaikkaan, sillä tämä johtaa toimintahäiriöön. Jos metalliliitin on syöpynyt, älä käytä akkulaturia.

VAROITUSSYMBOLIT



Lue kaikki tämän käyttöoppaan ohjeet ennen työkalun käyttöä.



Korkean lämpötilan varoitusalue

Moottorin suojaamiseksi älä käytä, jos korkean lämpötilan varoitusalue kuumenee. (katso sivu 210)



Älä koske niihin käytön aikana.

Symbolit



Koskee vain EU-maita
Käytetyillä sähkö- ja
elektroniikkalaitteilla, paristoilla ja
akuilla voi olla negatiivisia ympäristö-
ja terveysvaikutuksia niissä
käytettyjen haitallisten osien takia.
Älä hävitä sähkö- ja
elektroniikkalaitteita tai akkuja
kotitalousjätteen mukana!
Vanhoja sähkö- ja
elektroniikkalaitteita, paristoja ja
akkuja koskevan EU-direktiivin
ja sen perusteella laadittujen
kansallisten lakien mukaan käytetyt
sähkö- ja elektroniikkalaitteet,
paristot ja akut on kierrätettävä
toimittamalla ne erilliseen,
ympäristönsuojelusäädösten
mukaisesti toimivaan
kierrätyspisteeseen.
Tämä on ilmaistu laitteessa olevalla
ylivedetyn roska-astian symbolilla.

Melutaso

Tyypillinen A-painotettu melutaso määräytyy standardin
EN62841-1 mukaan:

Äänenpainetaso (K=3 dB(A)): 69,5 dB(A)

Äänitehotaso (K=3 dB(A)): 78,1 dB(A)

HUOMAA: Ilmoitetut melutasoarvot on mitattu
standarditestausten mukaisesti ja niiden
avulla voidaan vertailla työkaluja keskenään.

HUOMAA: Ilmoitettuja melutasoarvoja voidaan
käyttää myös altistumisen alustavaan arviointiin.

VAROITUS: Käytä kuulosuojaimia.

VAROITUS: Sähkötyökalun käytön aikana
mitattu melutasoarvo voi poiketa ilmoitetuista
arvoista laitteen käyttötavan ja erityisesti
käsiteltävän työkappaleen mukaan.

VAROITUS: Selvitä käyttäjän suojaamiseksi
tarvittavat varoitimet todellisissa
käyttöolosuhteissa tapahtuvan arvioidun
altistumisen mukaisesti (ottaen huomioon
käyttöjakso kokonaisuudessaan, myös jaksot,
joiden aikana laite on sammutettuna tai käy
tyhjäkäynnillä).

Tärinä

Kokonaistärinä (kolmen akselin vektorien summa)
määräytyy standardin EN62841-1 mukaan:

Kahva: 0,3 m/s²

Virhemarginaali (K): 1,5 m/s²

HUOMAA: Ilmoitetut kokonaistärinäarvot on mitattu
standarditestausten mukaisesti ja niiden
avulla voidaan vertailla työkaluja keskenään.

HUOMAA: Ilmoitettuja kokonaistärinäarvoja voidaan
käyttää myös altistumisen alustavaan arviointiin.

VAROITUS: Sähkötyökalun käytön aikana
mitattu todellinen tärinäpäästöarvo voi poiketa
ilmoitetuista arvoista laitteen käyttötavan ja
erityisesti käsiteltävän työkappaleen mukaan.

VAROITUS: Selvitä käyttäjän suojaamiseksi
tarvittavat varoitimet todellisissa
käyttöolosuhteissa tapahtuvan arvioidun
altistumisen mukaisesti (ottaen huomioon
käyttöjakso kokonaisuudessaan, myös jaksot,
joiden aikana laite on sammutettuna tai käy
tyhjäkäynnillä).

Soveltuvat akut ja laturit

Akkupatruuna	BL1815N / BL1820B / BL1830B / BL1840B / BL1850B / BL1860B
Laturi	DC18RC / DC18RD / DC18RE / DC18SD / DC18SE / DC18SF / DC18SH / DC18WC

- Jotkin edellä luetelluista akkupatruunoista ja latureista eivät välttämättä ole saatavilla asuinalueellasi.
- Lue akkulaturin käyttöohjeet ennen akun lataamista.

VAROITUS: Käytä vain edellä lueteltuja akkupatruunoita ja latureita. Muiden akkupatruunoiden ja laturien käyttö voi aiheuttaa loukkaantumisen ja/tai tulipalon.

Akkupatruunaa koskevat tärkeät turvallisuusohjeet

1. Ennen akun käyttämistä sinun on luettava kaikki ohjeet ja varoitusmerkinnot (1) akkulaturista, (2) akusta ja (3) tuotteesta, joka käyttää akkua.
2. Älä pura tai peukalo akkupatruunaa. Se voi aiheuttaa tulipalon, liiallisen kuumenemisen tai räjähdyksen.
3. Jos toiminta-aika on kohtuuttomasti lyhentynyt normaalista, lopeta käyttö välittömästi. Se saattaa aiheuttaa ylikuumentumisvaaran, mahdollisia palovammoja ja jopa räjähdyksen.
4. Jos elektrolyyttiä pääsee silmiin, huuhtelee silmät puhtaalla vedellä ja mene välittömästi lääkäriin. Se saattaa aiheuttaa näön menetyksen.
5. Älä oikosulje akkupatruunaa:
 - (1) Älä anna minkään sähköä johtavien materiaalien koskettaa liittäntöjä.
 - (2) Vältä akkupatruunan säilyttämistä säiliössä, jossa on muita metallikohteita, kuten nauvoja, kolikoita jne.
 - (3) Älä altista akkupatruunaa vedelle tai sateelle.

Akun oikosulku voi aiheuttaa suuren virtamäärän virtauksen, ylikuumentumisen, mahdollisia palovammoja ja jopa räjähtämisen.

6. Älä säilytä työkalua ja akkupatruunaa paikoissa, joiden lämpötila on 50 °C (122 °F) tai sen yli.
7. Älä polta akkupatruunaa vaikka se olisi pahasti vaurioitunut tai täysin loppuun käytetty. Akkupatruuna voi räjähtää tulessa.
8. Älä naulaa, leikkaa, murskaa, heitä, pudota akkupatruunaa tai lyö akkupatruunaa kovaa esinettä vasten. Se voi aiheuttaa tulipalon, liiallisen kuumenemisen tai räjähdyksen.
9. Älä käytä vaurioitunutta akkua.
10. Mukana toimitettuja litiumioniakkuja koskevat vaarallisten aineiden lainsäädännön määräykset.

Esimerkiksi kolmansien osapuolten tai huoltisjoiden järjestämässä tavarakuljetuksessa on noudatettava pakkausta ja merkintöjä koskevia erityismääräyksiä.

Tuotteen kuljetuksen valmisteluun on kysyttävä neuvoa vaarallisten aineiden asiantuntijalta. Myös mahdolliset kansalliset määräykset on huomioitava. Teippaa tai peitä paljaat liittimet ja pakkaa akku niin, että se ei pääse liikkumaan pakkauksessaan.

11. Kun hävität akun, poista se työkalusta ja hävitä turvalliseen paikkaan. Noudata akun hävittämisessä paikallisia määräyksiä.
12. Käytä akkua vain Makitan määrittämässä tuotteissa. Akkujen asentaminen yhteensopimattomiin tuotteisiin voi aiheuttaa tulipalon, ylikuumentumisen, räjähdyksen tai akkunesteen vuotamisen.
13. Akku on poistettava työkalusta, jos työkalua ei käytetä pitkään aikaan.
14. Käytön aikana ja sen jälkeen akku voi olla kuuma, mikä voi aiheuttaa palovammoja tai matalan lämpötilan palovammoja. Kiinnitä huomiota kuumien akkupatruunoiden käsittelyyn.
15. Älä koske työkalun liittimeen heti käytön jälkeen, koska se voi olla riittävän kuuma aiheuttamaan palovammoja.
16. Älä anna lastujen, pölyn tai lian tarttua akkupatruunan napoihin, reikiin ja uriin. Se voi aiheuttaa työkalun tai akkupatruunan kuumenemisen, syttymisen, puhkeamisen ja toimintahäiriön, mikä voi aiheuttaa palovammoja tai henkilövahinkoja.
17. Älä käytä akkua suurjännitteisten sähkölinjojen lähellä, ellei työkalu tue käyttöä suurjännitteisten sähkölinjojen lähellä. Se voi aiheuttaa toimintahäiriön tai työkalun tai akkupatruunan rikkoutumisen.
18. Pidä akku poissa lasten ulottuvilta.

SÄILYTÄ NÄMÄ OHJEET.

VAROITUS:

• Käytä vain aitoja Makita-akkuja.

Muiden kuin aitojen Makita-akkujen käyttäminen tai muutettujen akkujen käyttäminen voi aiheuttaa akun räjähtämisen, josta voi seurata tulipaloja, loukkaantuminen tai vaurioita. Se mitätöi myös Makitan takuun Makita-työkalulle ja laturille.

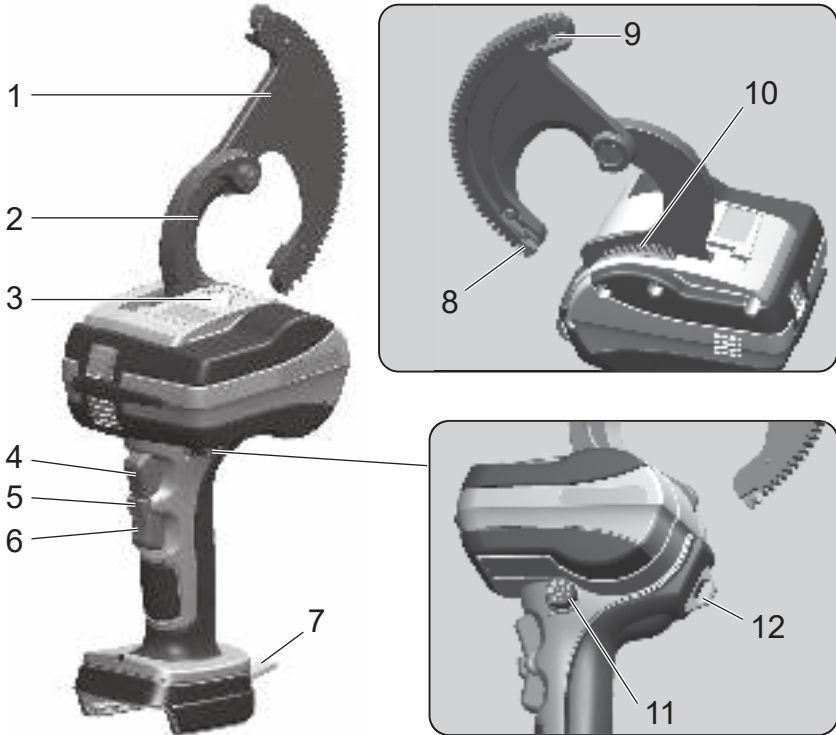
Vihjeitä akun maksimaalisen käyttöiän säilyttämiseen

1. Lataa akku ennen kuin se tyhjenee täysin. Lopeta työkalun käyttö ja lataa akku aina, kun huomaat suorituskyvyn heikentyneen.
2. Älä koskaan lataa täyteen ladattua akkupatruunaa. Ylilataus lyhentää akun käyttöikä.
3. Lataa akkupatruuna huoneenlämmössä 10 °C - 40 °C (50 °F - 104 °F). Anna kuumen akkupatruunan jäähtyä ennen kuin lataat sitä.
4. Poista akkupatruuna työkalusta tai laturista, jos et käytä sitä.
5. Lataa akku, jos sitä ei ole käytetty pitkiin aikoihin (yli kuuteen kuukauteen).

Nimet ja lisävarusteet

DTC100

Akkukaapelileikkuri



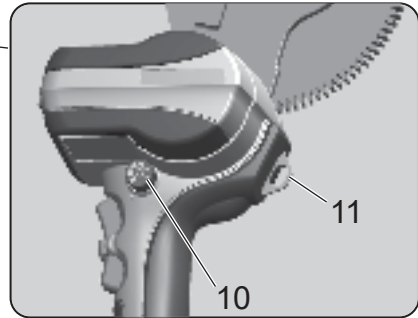
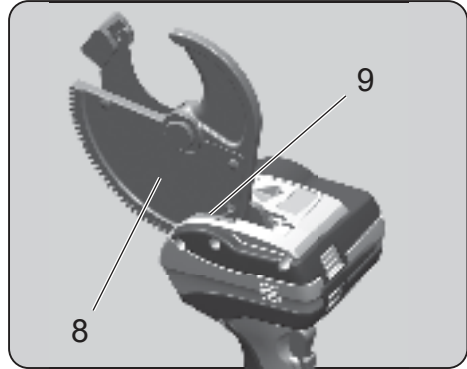
Kantolaukku



* Tämä työkalu on suunniteltu Makitan 18 V:n litiumioniakulle.

1	Liikkuva terä	7	Ripustusnauha
2	Kiinteä terä	8	Hammasrattaan ohjain (A)
3	LED-työvalo	9	Hammasrattaan ohjain (B)
4	Eteenpäntilan kytkin	10	Harja (pölynpoistoon)
5	Kytkinlukko	11	Valintanuppi
6	Taaksepäntilan kytkin	12	Ripustusrenkas

Akkukaapelileikkuri



Kantolaukku



* Tämä työkalu on suunniteltu Makitan 18 V:n litiumioniakulle.

1	Liikkuva terä	7	Ripustusnauha
2	Kiinteä terä	8	Liikkuvan terän levy
3	LED-työvalo	9	Harja (pölynpoistoon)
4	Eteenpäintilan kytkin	10	Valintanuppi
5	Kytkinlukko	11	Ripustusrenkas
6	Taaksepäintilan kytkin	—	—

Akku

Akku

- Ostohetkellä akun suojaustoiminto saattaa olla aktivoituna, koska akkua ei ole ladattu riittävästi. (Ole varovainen, koska tuote saattaa alkaa toimia, jos käytät kytkintä.) Lataa akku oikein pikalaturilla ennen käyttöä.
- Kiinnitä akun kansi, kun et käytä tuotetta. Se auttaa suojaamaan akkua vedeltä ja pölyltä.
- Kun tuotetta ei käytetä pitkään aikaan, säilytä sitä akku irrotettuna.

Akun käyttöön pidentäminen

- Kun huomaat, että työkalun teho on heikentynyt, lopeta käyttö ja lataa akku.
- Älä lataa täyteen ladattua akkua.
- Lataa akku ympäristön lämpötilan ollessa 10–40 °C.
- Kun akku on kuumentunut, kuten välittömästi käytön jälkeen, suosittelemme sen asettamista laturiin jäähtymistä ja lataamista varten.
- Kun litiumioniakkua ei käytetä pitkään aikaan (vähintään 6 kuukauteen), suosittelemme sen lataamista ja sen jälkeen varastointia.

Akkujen keräys

- Käytetyt akut ja paristot kerätään kierrätykseen. Vie akku siihen myymälään, josta ostit tuotteen, tai Makitan myyntikonttoriin.



Li-ion

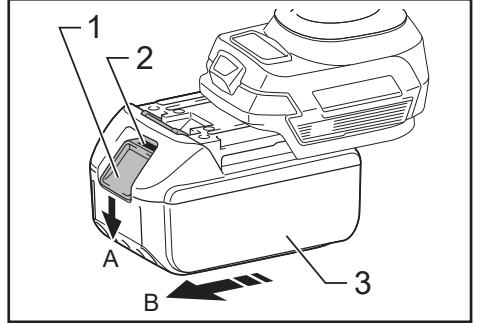
Kierrätä litiumioni-
akku

Akun kiinnittäminen ja irrottaminen

VAROITUS:

Aseta akku tuotteeseen oikein. Jos painikkeen yläosassa oleva punainen osa on näkyvässä, akku ei ole täysin lukittunut paikalleen. Aseta akku kunnolla paikalleen, kunnes punaista osaa ei enää näy.

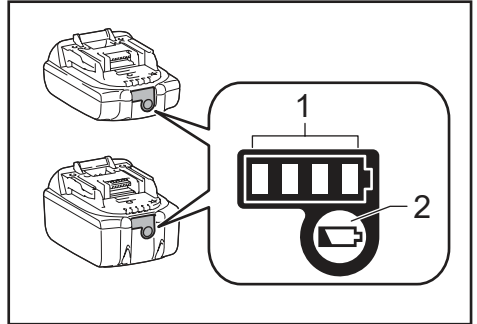
- Jos akkua ei aseteta kunnolla paikalleen, se voi irrota ja aiheuttaa onnettomuuden.
- Irrota akku tästä tuotteesta seuraavasti A. pidä akun etupuolella olevaa painiketta painettuna ja B. irrota akku liu'uttamalla.
- Kun kiinnität akun, kohdista akku tuotteessa oleviin uriin ja aseta se sitten kokonaan paikalleen suorittamalla menettely käänteisesti. Jos painikkeen yläosassa oleva punainen osa on tällä hetkellä näkyvässä, akku ei ole täysin lukittunut paikalleen. Aseta akku kokonaan paikalleen kunnolla, kunnes punaista osaa ei enää näy.



► 1. Painike 2. Punainen osa 3. Akku

Jäljellä olevan akun varauksen ilmaiseminen

Vain akkupatruunat, joissa on ilmaisim



► 1. Merkkivalot 2. Testauspainike

Näet jäljellä olevan akun varauksen painamalla akussa olevaa testauspainiketta. Merkkivalot palavat muutaman sekunnin ajan.

Merkkivalot			Jäljellä oleva varaus
Palaa	Ei pala	Viikkuu	
■ ■ ■ ■			75–100 %
■ ■ ■ □			50–75 %
■ ■ □ □			25–50 %
■ □ □ □			0–25 %
▬ □ □ □			Lataa akku.
■ ■ □ □			Akussa voi olla toimintahäiriö.
□ □ ■ ■			

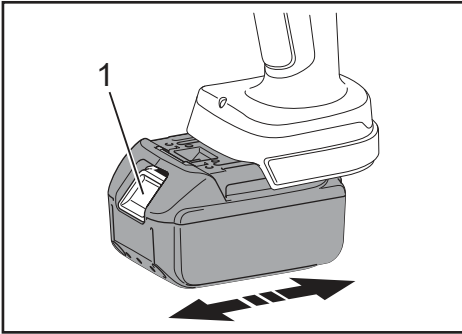
HUOMAA: Käyttöolosuhteista ja ympäristön lämpötilasta johtuen lukemat voivat erota hieman todellisesta kapasiteetista.

HUOMAA: Ensimmäinen (vasemmalla oleva) merkkivalo vilkkuu, kun akun suojausjärjestelmä toimii.

Akun käyttäminen

Akun kiinnittäminen

1. Vedä akku ulos samalla, kun painat salpaa. Jos haluat vaihtaa akun, työnnä uusi akku tiukasti paikalleen.
2. Kun olet liu'uttanut akun paikalleen, tarkista, että se on kunnolla paikallaan vetämällä sitä varovasti. Älä paina salpaa, kun vedät akkua.

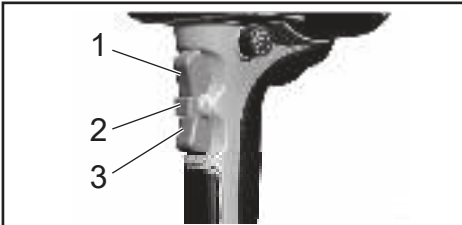


- 1. Salpa

Kytkiminnot

Työkalussa on turvallisuussyistä kaksitoiminen kytkinjärjestelmä.

Kun haluat aktivoida eteenpäntilan (leikkaus) ja taaksepäntilan (peruutus), paina ensin kytkinlukkoa ja paina sitten eteenpäin-/taaksepäntilan kytkintä.



- 1. Eteenpäntilan kytkin 2. Kytkinlukko
3. Taaksepäntilan kytkin

Työn LED-apuvalo

Työkalussa on LED-valaisin, joka valaisee leikkuuterän reuna-alueet. Se valaisee, kun eteenpäntilan tai taaksepäntilan kytkin on päällä, se sammuu noin 10 sekuntia sen jälkeen, kun kytkin vapautetaan.

⚠HUOMIO:

- Älä katso suoraan LED-lamppuun. LED-lampun katsominen pitkään voi vahingoittaa silmiäsi.

Alhaisen akun varauksen hälytys

Jos akun jäljellä oleva kapasiteetti on alhainen, LED-valo vilkkuu 5 kertaa hälytyksenä, kun eteenpäntilan kytkin kytketään päälle. Lataa akku tai vaihda se vara-akkuun.

Leikkuutoiminnot

1. [DTC100]

Aktivoi kytkin liikkuvan terän avaamiseksi.

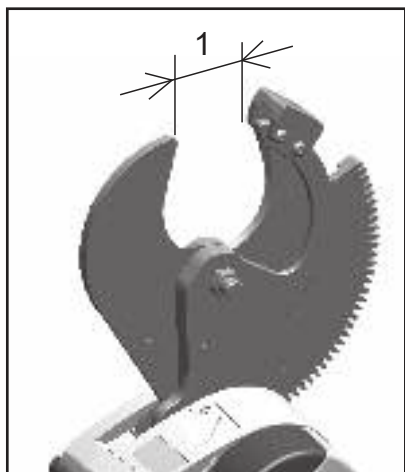
Käytä eteenpäin- ja taaksepäntilan kytkimiä asettaaksesi liikkuvan terän neutraaliin tilaan.



1. [DTC101]

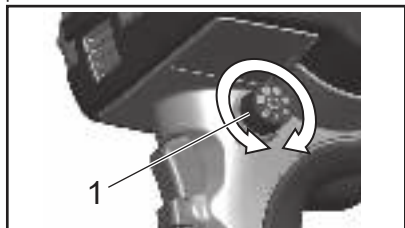
Akkun riittävyyden varmistaminen.

Varmista, että aukko on riittävän suuri kaapelin asettamiseen. Jos aukko on liian kapea, avaa se painamalla taaksepäntilan kytkintä.



► 1. Aukko

2. Ota takaisinpäintila automaattisesti käyttöön tai poista käytöstä käyttämällä valintanuppia. Siirrä valitsin haluttuun kohtaan automaattisen takaisinpäntilan käyttöönottamiseksi tai sen poistamiseksi.

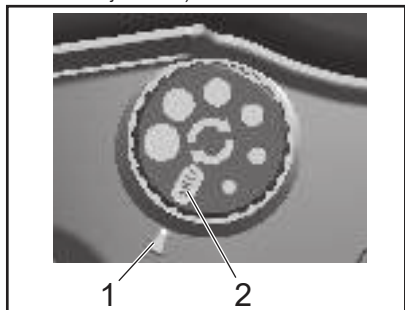


► 1. Valintanuppi

Automaattinen takaisinpäintoiminto

Kun automaattinen takaisinpäntila on käytössä, moottori jarruttaa kaapelin leikkaamisen jälkeen. Kun eteenpäntilan kytkin vapautetaan, liikkuva terä palaa automaattisesti valintanupin asetuksen mukaan.

Aukkoa voidaan säätää 6 tason välillä. (Aukon määrä on ohjeellinen.)



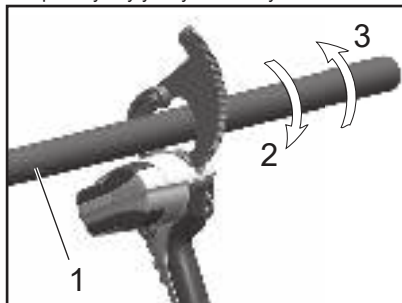
► 1. Aukon määrä 2. Pois päältä

⚠️HUOMIO:

- Automaattinen takaisinpäntila ei aktivoidu, jos eteenpäntilan kytkin vapautetaan ennen kuin leikkaus on valmis.
- Automaattinen takaisinpäntila ei aktivoidu, jos sähkökaapeli on 60 mm² tai sitä pienempi.
- Aukon halkaisija voi vaihdella akun jäljellä olevan jännitteen mukaan.

3. [DTC100]
Sähkökaapelin asettaminen liikkuvan terän aukkoon

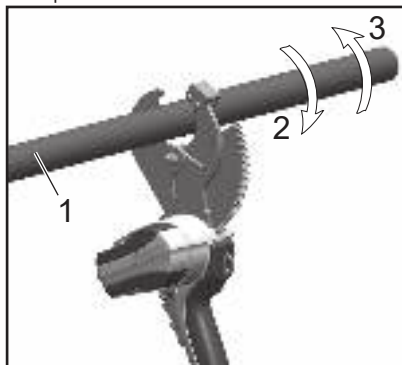
Aseta leikattava kaapeli kiinteän terän päälle ja sulje liikkuva terä kaapelin ympärille. Syötä liikkuvaa terää käsin niin, että hammaspyörän hampaat kytkeytyvät yksikön käyttömekanismiin.



► 1. Kaapeli 2. Leikkuukierto
3. Käänteinen kierto

3. [DTC101]
Sähkökaapelin asettaminen liikkuvan terän aukkoon

Aseta leikattava kaapeli terän aukkoon ja kiinteän terän puolelle.



► 1. Kaapeli 2. Leikkuukierto
3. Käänteinen kierto

4. Eteenpäntilan kytkimen käyttö ja sähkökaapelin leikkaaminen
Pidä eteenpäntilan kytkintä alhaalla, kunnes leikkaus on valmis.
5. Roskien poistaminen leikkauksen jälkeen.
Kun olet lopettanut leikkaamisen, poista terästä kaikki jäämät ja roskat.

⚠️HUOMIO:

• **Pitkittynyt toiminta**

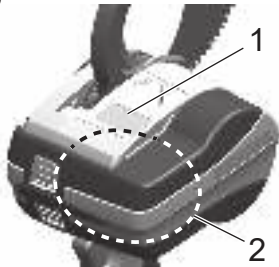
Moottorin suojaamiseksi lopeta työkalun käyttö, kun huomiotarran ympärillä oleva alue kuumenee. Jos haluat jatkaa työkalun käyttöä, aseta työkalu 50 minuutiksi viileään ja hyvin ilmastoituun paikkaan, kunnes se jäähtyy.

• **Ylivirta-/ylikuormitussuoja voi aktivoitua myös silloin, kun työkalua käytetään leikkauskapasiteetin rajoissa.**

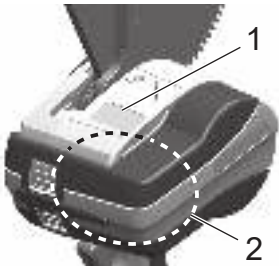
Käyttölämpötila, kaapelin pituus ja taivutus ja muut tekijät vaikuttavat työkalun suorituskykyyn.

• **Jos LED-valo vilkkuu vähintään 6 kertaa, kyseessä on piirilevyn vikanäyttö. Ota yhteyttä jälleenmyyjään.**

DTC100



DTC101



► 1. Huomio-tarra 2. Korkean lämpötilan varoitusalue

⚠️HUOMIO:

• **DTC100 ja DTC101 on tarkoitettu vain kupari- ja alumiinikaapeleille. Älä käytä näitä työkaluja teräksen, ACSR:n tai muiden teräsmateriaalien käsittelyyn.**

Ylivirtasuojatoiminto

Jos ylikuormitusvirta syntyy määritysten ulkopuolella olevan kaapelin leikkaamisen vuoksi, ylivirtasuojatoiminto aktivoituu ja pysäyttää moottorin. Palautat toiminnan vapauttamalla eteenpäintilan kytkimen.

Varaosien vaihtaminen (DTC100)

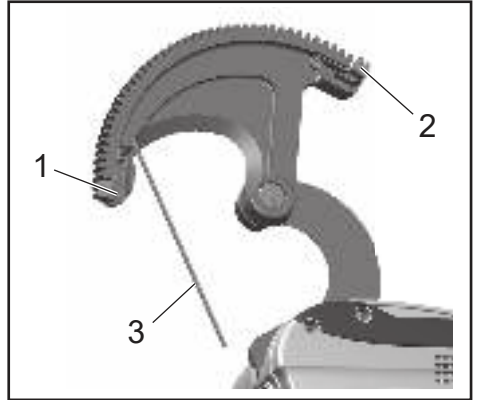
Noudata alla olevaa menettelyä, jos vaihdat hammasrattaan ohjaimen itse.

⚠️HUOMIO:

- Varmista, että irrotat akun pääyksiköstä ennen hammasrattaan ohjaimen vaihtamista.
- Jos hammasrattaan ohjain on vaurioitunut tai siitä kuuluu epänormaalia ääntä, vaihda se välittömästi. Tuotteen käytön jatkaminen vaurioituneen hammasrattaan ohjaimen kanssa voi vahingoittaa sisäisiä hammasrattaita.

Hammasrattaan ohjaimen vaihtaminen

1. Hammasrattaan ohjaimen poistaminen
Käytä kuusioavainta ja ruuvaa kuusikulmaisella reiällä varustettu pultti (M3 × 3) irti ja poista hammasrattaan ohjain.
2. Hammasrattaan ohjaimen asentaminen
Asenna uusi hammasrattaan ohjain ja kiristä pultti kunnolla.



- 1. Hammasrattaan ohjain (A) 2. Hammasrattaan ohjain (B) 3. Kuusioavain

Varaosien vaihtaminen (DTC101)

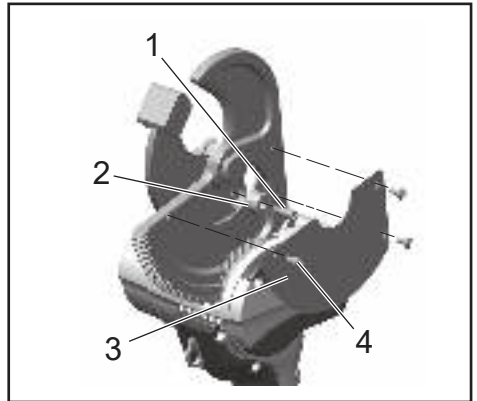
Noudata alla olevaa menettelyä, jos vaihdat pysäyttimen itse.

⚠️HUOMIO:

- Varmista, että irrotat akun pääyksiköstä ennen pysäyttimen vaihtamista.

Pysäyttimen vaihtaminen

1. Poista pyöreäpäiset ristipääruuvit, levy ja olkapultti (37), poista sitten pysäytin.
2. Kiinnitä uusi pysäytin olkapultilla, levitä ruuvilukitetta ruuviin ja kiristä sitten kokonaan.
3. Kiinnitä levy ja ruuvaa pyöreäpäiset ristipääruuvit paikoilleen.

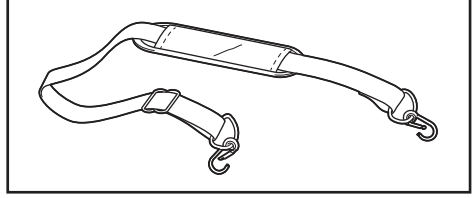


- 1. Olkapultti (37) 2. Pysäytin 3. Levy
4. Pyöreäpäiset ristipääruuvit

Valinnaiset lisävarusteet

• Olkahihna (161347-8)

Tämä olkahihna liitetään työkalun ripustusnauhaan.



Huolto/tarkastus

- Huomaa, että päivittäisen huollon/tarkastuksen laiminlyönti voi aiheuttaa työkalun toimintahäiriön.
- Vältä työkalun säilyttämistä kosteassa ympäristössä työkalun moitteettoman toiminnan varmistamiseksi ja ruosteen estämiseksi.
- Jos työkalu on vaurioitunut normaalin käytön aikana (vähintään 10 000 toimenpidettä, vähintään 1 000 leikkausta), älä vaihda pelkästään vaurioitunutta osaa ja jatka käyttöä, koska työkalun käyttöikä on lopussa.
- Kun hartsiosa likaantuu, pyyhi se pehmeällä saippuaveteen kostutetulla liinalla.
- Kun akkua säilytetään yksinään, muista laittaa lisävarusteena saatava liitinsuojus liittimen päälle oikosulun estämiseksi.
- Turvallisuustarkastusta varten suosittelemme työkalun toimittamista valmistajalle noin kahden vuoden välein (maksullinen). Ota yhteyttä jälleenmyyjään saadaksesi lisätietoja.

Tekniset tiedot

Akkukaapelileikkuri	DTC100	DTC101
Leikattava maks. halkaisija	Vain ei-rautametalliset materiaalit (alumiini tai kupari) φ 50 mm (kuparilanka φ 30 mm / alumiinilanka φ 38 mm)	
Sähkömoottori	Tasavirtamoottori	
Mitat	117 (S) × 320 (K) × 197 (L) (mm)	117 (S) × 380 (K) × 189 (L) (mm)
Paino	2,2 kg	2,9 kg

⚠️HUOMIO:

- DTC100 ja DTC101 on tarkoitettu vain kupari- ja alumiinikaapeleille. Älä käytä näitä työkaluja teräksen, ACSR:n tai muiden teräsmateriaalien käsittelyyn.

Vaatimustenmukaisuusvakuutukset

Vain Euroopan maat

Vaatimustenmukaisuusvakuutukset ovat tämän käyttöoppaan liitteessä A.

LATVIEŠU: Oriģinālās instrukcijas tulkojums

▲BRĪDINĀJUMS. Lūdzu, izlasiet un izprotiet visus brīdinājumus un drošības informāciju šajā lietošanas instrukcijā. Izmantošana neparedzētiem lietojumiem var izraisīt smagas traumas vai nāvi.

- Pateicamies, ka iegādājāties mūsu ražotās akumulatora kabeļu knaibles.
- Lūdzu, rūpīgi un uzmanīgi izlasiet šo lietošanas instrukciju, pirms mēģināt lietot šo ierīci. Pēc lietošanas instrukcijas izlasīšanas glabājiet to viegli pieejamā vietā.
- **Apaksts**
Mehāniskās knaibles ir ar akumulatoru darbināmas knaibles, kas paredzētas pašlaik nozarē izmantoto kabeļu pārgriešanai.

Drošības pasākumi

▲BRĪDINĀJUMS. Izlasiet visus drošības brīdinājumus un attēlus. Brīdinājumu un norādījumu neievērošana var izraisīt elektriskās strāvas triecienu, aizdegšanos un/vai smagas traumas.

Saglabājiet visus brīdinājumus un norādījumus turpmākai atsaucei.

▲BRĪDINĀJUMS. Ja šo izstrādājumu lieto nepareizi, lietotājs var gūt smagas vai nāvējošas traumas.

1) Darba zonas drošība

- a) Turiet darba zonu tīru un labi apgaismotu. Nekārtīgas un tumšas zonas veicina negadījumu rašanos.
- b) Nestrādājiet ar elektriskiem darbarīkiem sprādzienbīstamā atmosfērā, piemēram, viegli uzliesmojošu šķidrums, gāzu vai putekļu klātbūtnē. Elektriski darbarīki rada dzirksteles, kas var aizdedzināt putekļus vai tvaikus.
- c) Strādājot ar elektrisku darbarīku, neļaujiet tuvoties bērniem un nepiederošām personām. Uzmanības novēršana var izraisīt kontroles zaudēšanu.

2) Elektriskā drošība

- a) Elektrisko darbarīku kontaktdakšai jāatbilst tīkla kontaktligzdai. Nekādā gadījumā nepārveidojiet kontaktdakšas. Neizmantojiet adaptera spraudņus, strādājot ar iezemētiem elektriskajiem darbarīkiem. Nepārveidotas kontaktdakšas un atbilstošas kontaktlīdziņas samazina elektriskā trieciena risku.
- b) Izvairieties no ķermeņa saskares ar iezemētām virsmām, piemēram, caurulēm, radiatoriem, plītiem un ledusskapjiem. Elektriskās strāvas trieciena risks ir lielāks, ja jūsu ķermenis ir iezemēts.
- c) Nepakļaujiet elektriskos darbarīkus lietošanai mitriem apstākļiem. Elektriskajā darbarīkā iekļuvušs ūdens palielina elektriskās strāvas trieciena risku.
- d) Neizmantojiet strāvas kabeli tam neparedzētā veidā. Neizmantojiet strāvas kabeli, lai nestu vai viltu darbarīku vai atvienotu to no kontaktlīdziņas. Sargājiet strāvas kabeli no karstuma, eļļas, asām malām un kustīgām daļām. Bojāti vai sapinušies kabeli palielina elektriskās strāvas trieciena risku.

- e) Strādājot ar elektrisko darbarīku ārpus telpām, izmantojiet pagarinātāju, kas ir paredzēts izmantošanai ārā. Izmantojot ārām piemērotu kabeli, samazinās elektriskās strāvas trieciena risks.
- f) Ja nav iespējams izvairīties no elektriskā darbarīka izmantošanas mitrā vietā, lietojiet barošanas avotu, kas aizsargāts ar atlikumstrāvas ierīci (RCD). RCD izmantošana samazina elektriskās strāvas trieciena risku.

3) Personiskā drošība

- a) Elektriskā darbarīka izmantošanas laikā saglabājiet modrību, sekojiet līdzi savām darbībām un paļaujieties uz veselo saprātu. Nelietojiet elektrisko darbarīku, kad esat noguris vai atrodaties narkotisko vielu, alkohola vai medikamentu ietekmē. Neuzmanības brīdis, strādājot ar elektrisku darbarīku, var radīt smagas traumas.
- b) Lietojiet individuālos aizsarglīdzekļus. Vienmēr valkājiet acu aizsarglīdzekļus. Atbilstošos apstākļos izmantoti aizsarglīdzekļi, piemēram, putekļu maska, neslidīgi aizsargapavi, ķivere vai ausu aizsarglīdzekļi samazina traumu iespējas.
- c) Novērsiet nejaušu ieslēgšanu. Pārbaudiet, vai slēdzis ir izslēgtā pozīcijā, pirms pievienojat barošanas avotam un/vai akumulatoru blokam, paņemat vai pārnēsājat darbarīku. Darbarīku pārnēsāšana ar pirkstu uz slēdža vai barošanas pieslēgšana elektriskajiem darbarīkiem, kuru slēdzis ir ieslēgts, palielina negadījumu risku.
- d) Pirms elektriskā darbarīka ieslēgšanas noņemiet visas regulēšanas atslēgas un uzgriežņu atslēgas. Uzgriežņu vai regulēšanas atslēga, kas palikusi piespiņināta pie rotējošas daļas, var izraisīt traumu.
- e) Nesniedzieties pārāk tālu. Vienmēr saglabājiet stabilu stāju un līdzsvaru. Tas ļauj labāk kontrolēt elektrisko darbarīku negaidītās situācijās.
- f) Valkājiet piemērotu apģērbu. Nevalkājiet vaļīgu apģērbu vai rotaslietas. Netuviniet matus, apģērbu un cimdus kustīgām daļām. Vaļīgs apģērbs, rotaslietas vai gari mati var iekerties kustīgajās daļās.

- g) Ja paredzētas ierīces putekļu nosūkšanas un savākšanas aprīkojuma pieslēgšanai, gādājiet, lai tās tiktu pievienotas un pareizi lietotas. Putekļu savākšanas ierīču lietošana var samazināt ar putekļiem saistītos apdraudējumus.
- h) Neļaujiet, lai no biežas darbarīku lietošanas iegūtā pārliecība liek jums kļūt pašpārliecinātā un ignorēt darbarīka drošības principus. Neuzmanīga rīcība sekundes daļā var izraisīt smagas traumas.
- c) Kad akumulatoru bloku nelieto, sargājiet to no citiem metāla priekšmetiem, piemēram, papīra saspraudēm, monētām, atslēgām, naglām, skrūvēm vai citiem sīkiem metāla priekšmetiem, kas var radīt savienojumu starp akumulatora spailēm. Akumulatora spaiļu īssavienojums var izraisīt apdegumus vai ugunsgrēku.

4) Elektriskā darbarīka lietošana un aprūpe

- a) Nespiediet elektrisko darbarīku ar spēku. Lietojiet attiecīgajai vajadzībai piemērotu darbarīku. Pareizais elektriskais darbarīks paveic darbu labāk un drošāk tādā ātrumā, kādam tas projektēts.
- b) Nelietojiet elektrisko darbarīku, ja to nevar ieslēgt un izslēgt ar slēdzi. Jebkurš elektriskais darbarīks, kuru nevar vadīt ar slēdzi, ir bīstams un ir jāremontē.
- c) Pirms jebkuras regulēšanas, piederumu maiņas vai elektriskā darbarīka novietošanas glabāšanai atvienojiet kontaktdakšu no barošanas avota un/vai akumulatoru bloku – no elektriskā darbarīka. Šādi piesardzības pasākumi samazina risku nejauši iedarbināt elektrisko darbarīku.
- d) Nelietotus elektriskos darbarīkus glabājiet bērniem nepieejamā vietā un neļaujiet darbarīku lietot cilvēkiem, kuri nav pazīstami ar darbarīku un šīm instrukcijām. Neapmācītu lietotāju rokās elektriskie darbarīki ir bīstami.
- e) Uzturiet elektriskos darbarīkus un to piederumus kārtībā. Pārbaudiet, vai nav stiprinājuma vai kustīgo daļu izcentrēšanās, salūzušu daļu vai jebkura cita stāvokļa, kas var ietekmēt elektriskā darbarīka darbību. Ja elektriskais darbarīks ir bojāts, saremontējiet to pirms lietošanas. Daudzus negadījumus izraisa elektriskie darbarīki, kas nav uzturēti darba kārtībā.
- f) Uzturiet griešanas darbarīkus asus un tīrus. Pareizi uzturētiem griešanas rīkiem ar asām griezējkautnēm ir mazāka iespēja iestrēgt, un tos ir vieglāk vadīt.
- g) Lietojiet elektrisko darbarīku, piederumus, rīku uzgaļus utt. saskaņā ar šo instrukciju, ņemot vērā darba apstākļus un veicamo darbu. Izmantojot elektrisko darbarīku neparedzētām darbībām, var izraisīt bīstamas situācijas.
- h) Gādājiet, lai rokturi un satveršanas virsmas būtu sausas, tīras un brīvas no eļļas un smērvielām. Slideni rokturi un satveršanas virsmas neļauj droši rīkoties ar darbarīku un kontrolēt to negaidītās situācijās.

5) Akumulatora darbarīka lietošana un aprūpe

- a) Uzlādējiet tikai ar ražotāja noteikto lādētāju. Lādētājs, kas piemērots vienam akumulatoru blokam, var izraisīt aizdegšanās risku, ja to izmanto citam akumulatoru blokam.
- b) Izmantojiet elektriskos darbarīkus tikai ar konkrēti tiem paredzētajiem akumulatoru blokiem. Jebkuru citu akumulatoru bloku izmantošana var radīt ievainojuma un aizdegšanās risku.

- d) Nelabvēlīgos apstākļos no akumulatora var izplūst šķidrums, izvairieties no saskares ar to. Ja nejauši gadās saskarties, skalojiet ar ūdeni. Ja šķidrums nokļūst acīs, papildus vērsieties medicīnas iestādē. No akumulatora izplūdušais šķidrums var izraisīt kairinājumu un apdegumus.
- e) Nelietojiet akumulatoru komplektu, kas ir bojāts vai pārveidots. Bojāti vai pārveidoti akumulatori var radīt neparedzamu reakciju, izraisot aizdegšanos, sprādzienu vai traumu risku.
- f) Nepakļaujiet akumulatoru bloku vai darbarīku pārmērīgi augstai temperatūrai. Saskare ar uguni vai pakļaušana temperatūrai virs 130 °C var izraisīt sprādzienu.
- g) Ievērojiet visus norādījumus par uzlādi un nelādējiet akumulatoru bloku vai darbarīku ārpus instrukcijā norādītā temperatūras diapazona. Nepareiza uzlāde vai lādēšana ārpus instrukcijā norādītā temperatūras diapazona var sabojāt akumulatoru un izraisīt aizdegšanās risku.

6) Serviss

- a) Lieciet elektriskā darbarīka servisa apkopi veikt kvalificētam remonta personālam, izmantojot tikai identiskas rezerves daļas. Tas nodrošina, ka tiek saglabāta elektriskā darbarīka drošība.
- b) Neveiciet apkopi bojātiem akumulatoru blokiem. Akumulatoru bloku apkope jāveic tikai ražotājam vai pilnvarotām servisa darbnīcām.

Turiet elektriskos darbarīkus aiz izolētām satveršanas virsmām, veicot jebkuru darbību, kurā fiksatori var saskarties ar slēptu vadījumu. Fiksatoriem saskaroties ar vadu, kurā plūst strāva, var izraisīt strāvas noplūdi atklātās elektriskā darbarīka metāla daļās un radīt elektriskās strāvas triecienu operatoram.

Izmantojiet oriģinālo Makita akumulatoru lādētāju un akumulatoru bloku.

- Izmantojiet šā darbarīka oriģinālo akumulatoru bloku.
- Nelādējiet akumulatoru bloku ar citu akumulatora lādētāju. Šā noteikuma neievērošana var radīt akumulatora pārplīšanu, kas var izraisīt negadījumu vai traumas.

Lādējiet akumulatoru bloku pareizi.

- Izmantojiet barošanas avotu ar nomināla norādi, lai pievienotu šā izstrādājuma komplektācijā iekļauto akumulatoru lādētāju.
- Akumulatoru bloka lādēšanai neizmantojiet līdzstrāvas barošanas avotu vai strāvas ģeneratoru ar dzinēja piedziņu. Šā noteikuma neievērošana var radīt pārmērīgu karstumu, kas var izraisīt ugunsgrēku.
- Nelādējiet akumulatoru bloku, ja vides temperatūra, akumulatoru bloka vai lādētāja temperatūra ir zemāka par 0 °C vai augstāka par 40 °C. Šā noteikuma neievērošana var izraisīt akumulatora pārplīšanu vai aizdegšanos.
- Lādējot akumulatoru bloku, izvēlieties vietu ar labu ventilāciju.

- Uzlādes laikā neapklājiet akumulatoru bloku ar audumu. Šā noteikuma neievērošana var izraisīt akumulatora pārplīšanu vai aizdegšanos.
- Pēc uzlādes noteikti atvienojiet barošanas kabeļa kontaktdakšus. Šā noteikuma neievērošana var izraisīt elektriskās strāvas triecienu vai aizdegšanos.

Lietošanas laikā nevērsiet knaibles pret cilvēkiem.

- Šā noteikuma neievērošana var izraisīt traumas.

Nesavienojiet īsslēgumā akumulatoru bloka spailes.

- Glabājot akumulatoru bloku atsevišķi, uzlieciet uz spaiļēm spaiļu pārsegu, lai novērstu īssavienojumu. Gādājiet, lai akumulatoru spaiļu īssavienojumu neizraisa citas metāla daļas, piemēram, skrūves, naglas utt.

Nelieciet akumulatoru liesmās.

- Šā noteikuma neievērošana var izraisīt akumulatora pārplīšanu vai bīstamas vielas noplūdi.

Nelietojiet uz daļām, kas ir zem sprieguma.

- Darbarīks nav izolēts. Lietošana vietās, kur ir elektrība, var izraisīt elektriskās strāvas triecienu.
- Nepieskarieties strāvas kontaktdakšai vai akumulatoru blokam ar mitrām rokām. Šā noteikuma neievērošana var izraisīt elektriskās strāvas triecienu.

Izņemiet akumulatoru bloku no darbarīka korpusa tālāk minētajos apstākļos.

- Neizmantojot darbarīku vai nododot to remontā
- Mainot rezerves daļas
- Citās situācijās, kad ir aizdomas par bīstamību
Šo brīdinājumu neievērošana var izraisīt nejaūšu darbarīka ievērošanu un traumas.

Darbarīka nejaūša iedarbināšana.

- Pārvietojot darbarīku, raugieties, lai pirksti nebūtu uz slēdža mēlītes. Negaidīta darbarīka iedarbināšana var izraisīt traumas.

Izmantojiet tikai norādītos piederumus.

- Nelietojiet piederumus, kas nav norādīti šajā instrukcijā vai mūsu katalogā. Šā noteikuma neievērošana var izraisīt negadījumus vai traumas.

Lietojiet aizsarglīdzekļus.

- Darba laikā lietojiet aizsargbrilles. Ja darba vide ir putekļaina, lietojiet aizsargmasku. Griešanas laikā sīkas daļiņas var tikt izsviestas un radīt traumas.

Neskatieties LED darba gaismā.

- Tas var pasliktināt redzi.

Nemiet vērā darba vidi.

- Nelietojiet darbarīku, akumulatora lādētāju vai akumulatoru bloku lietū vai slapjā vai mitrā vietā. Šā noteikuma neievērošana var izraisīt elektriskās strāvas triecienu vai dūmošanu.
- Veiciet darbu pietiekami gaišā vietā. Strādāšana tumšā vietā var izraisīt negadījumu.
- Nelietojiet un nelādējiet akumulatoru viegli uzliesmojošu šķidrums vai gāzu klātbūtnē. Šā noteikuma neievērošana var izraisīt sprādzienu vai aizdegšanos.

Vienmēr turiet darba vietu tīru.

- Nekārtīgas vietas un darba galdi var izraisīt negadījumu.

Neļaujiet bērniem tuvoties darbarīkam.

- Neļaujiet citiem cilvēkiem, izņemot operatoru, pieskarties darbarīkam un akumulatoru lādētāja kabelim. Neļaujiet cilvēkiem tuvoties darba vietai. Šā noteikuma neievērošana var izraisīt traumas.

Kad darbarīku nelieto, glabājiet to pareizi.

- Glabājiet darbarīku vietā ar zemu mitrumu un augstā vietā, ko nevar aizsniegt bērni, vai arī slēdzamā vietā. Šā noteikuma neievērošana var izraisīt negadījumu.
- Neglabājiet darbarīku vai akumulatoru bloku vietā, kur temperatūra var sasniegt 40 °C vai vairāk (metāla kastē, automobilī vasarā utt.). Šā noteikuma neievērošana var izraisīt akumulatoru bloka stāvokļa pasliktināšanos, kas var izraisīt dūmošanu vai aizdegšanos.

Nelietojiet darbarīku nesaprātīgi.

- Darbus veiciet atbilstoši darbarīka jaudai, lai nodrošinātu drošu un efektīvu darbību. Darbarīka lietošana, pārsniedzot tā jaudu, var izraisīt negadījumu.
- Nelietojiet darbarīku nesaprātīgi, kas var izraisīt motora nobloķēšanos. Šā noteikuma neievērošana var izraisīt dūmošanu vai aizdegšanos.

Izmantojiet darbam piemērotu darbarīku.

- Nelietojiet darbarīku citiem darbiem kā vien paredzētajam lietojumam. Šā noteikuma neievērošana var izraisīt traumas.

Darbus veiciet, valkājot piemērotu apģērbu.

- Nevalkājiet vaļīgu apģērbu un aksesuārus, piemēram, kaklarotu. Šādas lietas var ieķērties kustīgās vai rotējošās daļās vai tamlīdzīgi.
- Ja darbību veic ārā, ieteicams valkāt gumijas cimdus un neslīdīgus apavus. Slīdīgi cimdi un apavi var izraisīt traumas.
- Ja jums ir gari mati, valkājiet cepuri vai matu tīkliņu, lai nosegtu matus. Šā noteikuma neievērošana var izraisīt to, ka mati var ieķērties kustīgās vai rotējošās daļās vai tamlīdzīgi.

Nestrādājiet ar darbarīku nedabīgā pozā.

- Vienmēr saglabājiet stabilu stāju un saglabājiet līdzsvaru. Šā noteikuma neievērošana var izraisīt pakrišanu, kas var izraisīt traumas.

Strādājot saglabājiet modrību un uzmanību.

- Lietojot darbarīku, pievērsiet uzmanību darbarīka turēšanai, darba paņēmieniem un apkārtējiem apstākļiem un veiciet darbu uzmanīgi. Šā noteikuma neievērošana var izraisīt negadījumu vai traumas.
- Nestrādājiet ar darbarīku alkohola ietekmē. Šā noteikuma neievērošana var izraisīt negadījumu vai traumas.
- Nestrādājiet ar darbarīku, ja fiziski nejutaties labi. Šā noteikuma neievērošana var izraisīt negadījumu vai traumas.

Ar akumulatoru lādētāja elektrības kabeli apejieties uzmanīgi.

- Nenesiet lādētāju aiz kabeļa un neraujiet to, lai atvienotu no kontaktligzdas.
- Sargājiet kabeli no karstuma avotiem, eļļas un asām šķautnēm.
- Gādājiet, lai lādēšanas vidē nedraudētu uzskāpšana kabelim vai pakļupšana pār to. Šā noteikuma neievērošana var izraisīt elektriskās strāvas triecienu vai īssavienojumu, kas var radīt aizdegšanos.

Izmantojiet pagarinātāju ar āra specifikāciju.

- Ja izmantojat darbarīku ārā, lietojiet pagarinātāju, kas izgatavots no kabeļa ar cietgumijas apvalku.

Darbarīka apkopes darbus veiciet rūpīgi.

- Mainot rezerves daļas, ievērojiet lietošanas instrukciju. Šā noteikuma neievērošana var izraisīt traumas.
- Regulāri pārbaudiet akumulatoru lādētāja elektrības kabeli. Ja kabelis ir bojāts, lūdziet pilnvarotai servisa darbnīcai to salabot. Šā noteikuma neievērošana var izraisīt elektriskās strāvas triecienu vai īssavienojumu, kas var radīt aizdegšanos.
- Ja izmanto pagarinātāju, tas regulāri jāpārbauda. Ja kabelis ir bojāts, nomainiet to ar jaunu. Šā noteikuma neievērošana var izraisīt elektriskās strāvas triecienu vai īssavienojumu, kas var radīt aizdegšanos.
- Turiet rokturi vienmēr sausu un tīru un sargājiet to no eļļas un smērvielām. Šā noteikuma neievērošana var izraisīt traumas.

Pārbaudiet bojātās daļas.

- Pirms lietošanas pārbaudiet, vai nav bojājumu. Pārlicinieties, vai darbarīks darbojas normāli un visas daļas darbojas pareizi.
 - Pārbaudiet kustīgo daļu centrējumu, kustīgo daļu netraucētu kustību, to, vai nav salūzušu daļu, stiprinājumu un citu stāvokļu, kas ietekmētu tā darbību.
 - Nelietojiet akumulatoru lādētāju, kura barošanas kontaktdakša vai kabelis ir bojāts vai kurš ir guvis bojājumus nokrītot. Šā noteikuma neievērošana var izraisīt elektriskās strāvas triecienu vai īssavienojumu, kas var radīt aizdegšanos.
- Ja lādētājs ir bojāts, tas ir pareizi jāsalabo vai jānomaina pilnvarota servisa darbnīcā, ja vien šajā lietošanas instrukcijā nav norādīts citādi. Bojātus slēdžus nomainiet pilnvarotā servisa darbnīcā. Nelietojiet darbarīku, ja to nevar ieslēgt un izslēgt ar slēdzi. Šāds darbarīks var darboties nepareizi, kas var izraisīt ievainojumu.

Lūdziet pilnvarotai servisa darbnīcai veikt remontu.

- Neizjauciet, neremontējiet un nepārveidojiet galveno ierīci, akumulatoru lādētāju vai akumulatoru bloku. Šā noteikuma neievērošana var izraisīt aizdegšanos vai nepareizu darbību, kas var izraisīt traumas.
- Ja darbarīks uzkarst vai tajā konstatēts kas neparasts, pieprasiet darbarīku pārbaudīt vai saremontēt.
- Šis darbarīks ir konstruēts saskaņā ar attiecīgajām drošības prasībām. Nemēģiniet pārveidot šo izstrādājumu.
- Lieciet darbarīku saremontēt pilnvarotā servisa centrā. Remonts jāveic tikai kvalificētai personai, izmantojot oriģinālās rezerves daļas, pretēja gadījumā var rasties ievērojams apdraudējums lietotājam.

Piesardzības pasākumi, lietojot akumulatora kabeļu knaibles

- Lietojot šo darbarīku, ievērojiet tālāk sniegtos norādījumus.

Piesardzības pasākumi attiecībā uz šo darbarīku

- **Nekad negrieziet neko, kas pārsniedz maksimālo griešanas jaudu.**

Rīkojieties piesardzīgi, jo šā noteikuma neievērošana var izraisīt bojājumus. (skatiet 228. lappusi)

- **Nepieskarieties kustīgā vai fiksētā asmens griezējšķautnei.**

Šā noteikuma neievērošana var izraisīt traumas.

- **Nekādā gadījumā negrieziet zem sprieguma esošus vadus (elektrības vadus, kuros plūst strāva).**

- **Nemetiet un nepieļaujiet citus pārmērīgus triecienus.**

Iekšējā konstrukcija ir izgatavota precīzi, lai darbarīks būtu kompakts un viegls, tāpēc tas var nedarboties pareizi, ja saņem triecienu.

- **Nelietojiet darbarīku lietū.**

Šāda rīcība var izraisīt asmens sarūsēšanu un griezējšķautnes notrulināšanos vai arī radīt bojājumus.

- **Negrieziet liekos gabalus īsākus par 50 mm.**

CCP un citu kabeļu galos nogriežot liekos gabalus pārāk īsus, iespējams sagriezt kabeļa iekšpusi u. tml.

- **Neizmantojiet spēku pretēji griešanas virzienam.**

Vienmēr grieziet materiālu taisni. Šā noteikuma neievērošana var sabojāt knaiņu asmeni.

- **Turiet stingri.**

Šā noteikuma neievērošana var izraisīt traumas.

- **Pirms strādāšanas augstumā pārbaudiet, vai neviens nestāv zem jums.**

Šā noteikuma neievērošana var izraisīt negadījumu, ja nokrīt materiāli vai šī ierīce utt.

- **Pirms lietošanas pārbaudiet, vai nav kas neparasts.**

Plaisas knaiblēs vai to bojājumi var sabojāt knaibles un izraisīt traumas.

- **Lietošanas laikā ievērojiet pārtraukumus.**

Ilgstoša griešana bez pārtraukumiem uztur paaugstinātu motora temperatūru, kas var izraisīt motora un akumulatoru bloka pārkaršanu, radot bojājumus. Lietojot laiku pa laikam, ievērojiet pārtraukumus.

- **Zema vides temperatūra (10 °C vai mazāk) var izraisīt elektrības kabeļa sacietēšanu, apgrūtinot tā nogriešanu pat griešanas jaudas robežās.**

- **Pēc katras lietošanas reizes noīriet ar gaisu utt.**

Uzmanieties, lai nepieļautu atgriezumam un citu grūžu iekļūšanu ierīcē caur atverēm (kustīgā asmens piedziņa).

- **Negrieziet elektrības kabeļus ar 1 mm diametra stiepli.**

Šā noteikuma neievērošana var izraisīt knaiņu asmens iestrēgšanu elektrības kabeļi un noblķēšanas.

Piesardzības pasākumi, lietojot akumulatoru bloku

- Nekādā gadījumā neveidojiet īssavienojumu starp spailēm.

- Sargājiet akumulatoru bloku no ūdens, eļļas un organiskiem šķīdinātājiem.

- Neizjauciet un nepārveidojiet akumulatoru bloku.

- Ja no akumulatoru bloka atbrīvojas, nelieciet to ugunī un neizmēģiniet to parastajos atkritumos. (Mēs veicinām pārstrādi.)

- Nemetiet un nesitiet akumulatoru bloku.

- Neatstājiet akumulatoru bloku vietā, kur temperatūra ilgu laiku ir 40 °C vai augstāka.

- Neizveidojiet akumulatora īssavienojumu, novietojot grūžus vai putekļus uz spailēm, jo tas izraisa darbības traucējumus. Ja spaiļi ir korodējusi, nelietojiet akumulatoru bloku.

- Lai pagarinātu akumulatora bloka kalpošanas laiku, ierīkoti aizsargfunkciju, kas aptur jaudas izvadi. Ja atlikušais akumulatora uzlādes līmenis ir zems, motors var apstāties, pat ja ir nospiests darbības slēdzis darbarīka lietošanas laikā. Šo parādību tomēr izraisa ņevis darbības traucējums, bet gan aizsargfunkcija. Šādā gadījumā nekavējoties uzlādējiet akumulatoru.

Piesardzības pasākumi saistībā ar akumulatoru lādētāju

- Šim akumulatoru lādētājam ir indikatora lampiņa (daudzkrāsaina LED), lai parādītu akumulatora uzlādes stāvokli.

- Neizveidojiet lādētāja īssavienojumu, atstājot grūžus vai putekļus akumulatora ievietošanas ligzdā, jo tas izraisa darbības traucējumus. Ja metāla spaiļi ir korodējusi, nelietojiet akumulatoru lādētāju.

BRĪDINĀJUMA SIMBOLI



Pirms darbarīka lietošanas rūpīgi izlasiet šajā instrukcijā dotos norādījumus.



Intensīva karstuma brīdinājuma zona.

Lai aizsargātu motoru, nelietojiet darbarīku, ja intensīva karstuma brīdinājuma zona kļūst karsta. (skatiet 226. lappusi)



Nepieskarieties darbības laikā.

Simboli



Tikai ES valstīm
Tā kā šajā aprīkojumā ir bīstamas sastāvdaļas, elektrisko un elektronisko iekārtu, akumulatoru un bateriju atkritumi var negatīvi ietekmēt apkārtējo vidi un cilvēka veselību. Elektroierīces, elektroniskās ierīces un akumulatorus nedrīkst izmest kopā ar majsaimniecības atkritumiem! Saskaņā ar Eiropas direktīvu par elektrisko un elektronisko iekārtu atkritumiem, akumulatoriem un baterijām, kā arī akumulatoru un bateriju atkritumiem un šīs direktīvas pielāgošanu valsts tiesību aktiem elektrisko un elektronisko iekārtu, bateriju un akumulatoru atkritumi ir jāglabā atsevišķi un jānogādā uz sadzīves atkritumu dalītās savākšanas vietu, ievērojot attiecīgos vides aizsardzības noteikumus. Par to liecina uz iekārtas redzams simbols ar pārsvītrotu atkritumu konteineru uz riteņiem.

Troksnis

Tipiskais A svērtais trokšņa līmenis noteikts saskaņā ar EN62841-1:

Skaņas spiediena līmenis (K=3 dB (A)): 69,5 dB (A)

Skaņas jaudas līmenis (K=3 dB (A)): 78,1 dB (A)

PIEZĪME: Paziņotā trokšņa emisijas vērtība noteikta atbilstoši standarta pārbaudes metodei, un to var izmantot, lai salīdzinātu vienu darbarīku ar citu.

PIEZĪME: Paziņoto trokšņa emisijas vērtību arī var izmantot iedarbības sākotnējā novērtējumā.

▲BRĪDINĀJUMS: Lietojiet ausu aizsargus.

▲BRĪDINĀJUMS: Trokšņa emisija patiesos darba apstākļos var atšķirties no paziņotās vērtības atkarībā no darbarīka izmantošanas veida un jo īpaši atkarībā no apstrādājamā materiāla veida.

▲BRĪDINĀJUMS: Lai aizsargātu lietotāju, nosakiet drošības pasākumus, kas pamatoti ar iedarbību reālos darba apstākļos (ņemot vērā visus ekspluatācijas cikla posmus, piemēram, laiku, kamēr darbarīks ir izslēgts un kad darbojas tukšgaitā, kā arī palaides laiku).

Vibrācija

Vibrācijas kopējā vērtība (trīs asu vektora summa) noteikta saskaņā ar EN62841-1.

Rokturis: 0,3 m/s²

Mainīgums (K): 1,5 m/s²

PIEZĪME: Paziņotā kopējā vibrācijas vērtība noteikta atbilstoši standarta pārbaudes metodei, un to var izmantot, lai salīdzinātu vienu darbarīku ar citu.

PIEZĪME: Paziņoto kopējo vibrācijas vērtību arī var izmantot iedarbības sākotnējā novērtējumā.

▲BRĪDINĀJUMS: Vibrācijas emisija patiesos darba apstākļos var atšķirties no paziņotās vērtības atkarībā no darbarīka izmantošanas veida un jo īpaši atkarībā no apstrādājamā materiāla veida.

▲BRĪDINĀJUMS: Lai aizsargātu lietotāju, nosakiet drošības pasākumus, kas pamatoti ar iedarbību reālos darba apstākļos (ņemot vērā visus ekspluatācijas cikla posmus, piemēram, laiku, kamēr darbarīks ir izslēgts un kad darbojas tukšgaitā, kā arī palaides laiku).

Piemērotā akumulatora kasetne un lādētājs

Akumulatora kasetne	BL1815N / BL1820B / BL1830B / BL1840B / BL1850B / BL1860B
Lādētājs	DC18RC / DC18RD / DC18RE / DC18SD / DC18SE / DC18SF / DC18SH / DC18WC

- Dažas no iepriekš uzskaitītajām akumulatora kasetnēm un lādētājiem var nebūt pieejami atkarībā no jūsu dzīvesvietas reģiona.
- Lai nomainītu akumulatoru, lūdzu, izlasiet lietošanas instrukciju.

⚠ BRĪDINĀJUMS. Lietojiet tikai iepriekš uzskaitītās akumulatora kasetnes un lādētājus. Jebkuru citu akumulatora kasetņu un lādētāju lietošana var izraisīt traumas un/vai ugunsgrēku.

Svarīgi drošības norādījumi akumulatora kasetnei

1. **Pirms akumulatora kasetnes lietošanas izlasiet visus norādījumus un brīdinājuma atzīmes uz 1) akumulatora kasetnes, 2) akumulatora un 3) izstrādājuma, kurā izmanto akumulatoru.**
2. **Neizjauciet un nepārveidojiet akumulatora kasetni.** Tas var izraisīt aizdegšanos, pārmērīgu uzkaršanu vai sprādzienu.
3. **Ja darbības laiks kļuvis ievērojami īsāks, nekavējoties pārtrauciet darbību.** Tas var izraisīt pārkaršanas risku, iespējamus apdegumus un pat sprādzienu.
4. **Ja elektrolīts iekļūst acīs, izskalojiet tās ar tīru ūdeni un nekavējoties meklējiet medicīnisku palīdzību.** Tas var izraisīt redzes zudumu.
5. **Neveidojiet akumulatora kasetnes īssavienojumu, kā norādīts tālāk.**
 - 1) Nepieskarieties spaiļēm ar elektrību vadošu materiālu.
 - 2) Neglabājiet akumulatora kasetni vienā kastē ar citiem metāla priekšmetiem, piemēram, naglām, monētām utt.
 - 3) Sargājiet akumulatora kasetni no ūdens un lietus.
6. **Akumulatora īssavienojums var izraisīt stipru strāvas plūsmu, pārkaršanu, iespējams, apdegumus un pat salūšanu.**
6. **Neglabājiet un nelietojiet akumulatora kasetni vietās, kur temperatūra var sasniegt vai pārsniegt 50 °C (122 °F).**
7. **Nedeziniet akumulatora kasetni, pat ja tā ir smagi bojāta vai pilnīgi nolietota.** Akumulatora kasetne ugunī var eksplodēt.
8. **Nedzeniet akumulatora kasetnē naglas, nezāģējiet, nesaspiediet, nemetiet un nesietiet to pret cietu virsmu.** Šāda rīcība var izraisīt aizdegšanos, pārmērīgu uzkaršanu vai sprādzienu.
9. **Nelietojiet bojātu akumulatoru.**
10. **Uz kasetnē ietvertajām litija jonu baterijām ir attiecināmas bīstamo vielu likumu prasības.**

Komerčiālos pārvadājumos, ko veic, piemēram, trešās personas, pārvadāšanas aģenti, jāievēro speciālās prasības attiecībā uz iepakojumu un marķējumu.

Lai sagatavotos preču nosūtīšanai, jākonsultējas ar bīstamo materiālu ekspertu. Lūdzu, ievērojiet valsts normatīvos aktus, kas var būt vēl detalizētāki.

Aizlīmējiet vai aizsedziet atklātus kontaktus un iepakojiet akumulatoru tā, lai tas nevarētu pārvietoties iepakojumā.
11. **Atbrīvojoties no akumulatora kasetnes, izņemiet to no darbarīka un atbrīvojieties no tās drošā vietā. Ievērojiet vietējos normatīvos aktus par atbrīvošanos no baterijām.**
12. **Lietojiet akumulatorus tikai ar Makita norādītajiem izstrādājumiem.** Akumulatoru uzstādīšana nesaderīgos izstrādājumos var izraisīt aizdegšanos, pārmērīgu karstumu, sprādzienu vai elektrolīta noplūdi.
13. **Ja darbarīku ilgu laiku neizmanto, akumulators jāizņem no darbarīka.**
14. **Lietošanas laikā un pēc tās akumulatora kasetne var uzkrāt karstumu, kas var radīt apdegumus vai zemas temperatūras apdegumus. Pievērsiet uzmanību tam, kā rīkoties ar karstām akumulatora kasetnēm.**
15. **Nepieskarieties darbarīka spaiļei uzreiz pēc lietošanas, jo tā var kļūt pietiekami karsta, lai radītu apdegumus.**
16. **Neļaujiet skaidām, putekļiem vai zemei piekerties pie akumulatora kasetnes spaiļēm, caurumiem un rievām.** Tas var izraisīt sakaršanu, aizdegšanos, pārplīšanu un darbarīka vai akumulatora kasetnes darbības traucējumus, kas var radīt apdegumus vai traumas.
17. **Ja vien darbarīks neatbalsta izmantošanu augstsprieguma elektroliniju tuvumā, nelietojiet akumulatora kasetni augstsprieguma elektroliniju tuvumā.** Tas var izraisīt darbarīka vai akumulatora kasetnes darbības traucējumus vai salūšanu.

SAGLABĀJIET ŠO INSTRUKCIJU.

⚠ UZMANĪBU!

- Lietojiet tikai oriģinālos Makita akumulatorus.

Izmantojot akumulatorus, kas nav oriģinālie Makita akumulatori vai kas ir pārveidoti, var izraisīt akumulatora pārplīšanu, radot ugunsgrēku, traumas un materiālos zaudējumus. Tas arī anulē Makita sniegto garantiju Makita darbarīkam un lādētājam.

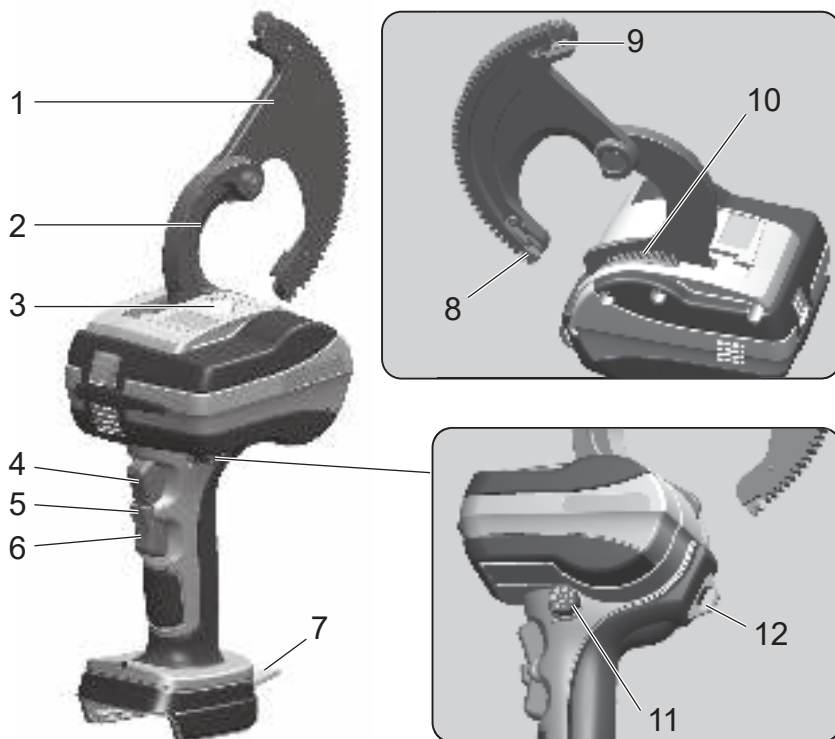
Padomi, kā saglabāt maksimāli ilgu akumulatora kalpošanas laiku

1. Uzlādējiet akumulatora kasetni, pirms tā ir pilnībā izlādējusies. Vienmēr apturiet darbību un uzlādējiet akumulatora kasetni, kad pamanāt, ka darbarīka jauda samazinās.
2. Nekādā gadījumā atkārtoti nelādējiet pilnībā uzlādētu akumulatora kasetni. Pārlādēšana sāīsina akumulatora kalpošanas laiku.
3. Lādējiet akumulatora kasetni telpas temperatūrā no 10 °C līdz 40 °C (50 °F līdz 104 °F). Karstai akumulatora kasetnei ļaujiet atdzist pirms uzlādes.
4. Neizmantojot akumulatora kasetni, izņemiet to no darbarīka vai lādētāja.
5. Uzlādējiet akumulatora kasetni, ja nelietojat to ilgu laiku (ilgāk nekā sešus mēnešus).

Nosaukumi un piederumi

DTC100

Akumulatora kabelu knaibles



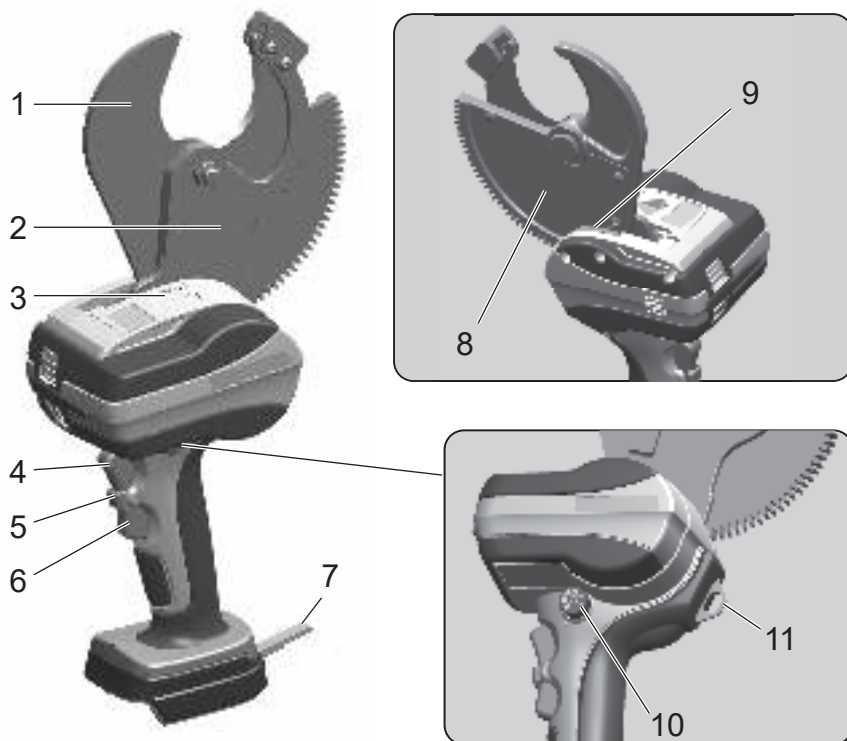
Pārnēsāšanas kārba



* Šis darbarīks ir konstruēts ir konstruēts Makita 18 V litija jonu akumulatoram.

1	Kustīgais asmens	7	Pakāršanas lente
2	Nekustīgais asmens	8	Zobrata vadotne (A)
3	LED darba gaisma	9	Zobrata vadotne (B)
4	Turpgaitas režīma slēdzis	10	Suka (putekļu notīrīšanai)
5	Slēdža fiksators	11	Grozāmā pārslēdzēja poga
6	Atpakaļgaitas režīma slēdzis	12	Pakāršanas cilpa

Akumulatora kabeļu knaibles



Pārnēsāšanas kārbā



* Šis darbarīks ir konstruēts Makita 18 V litija jonu akumulatoram.

1	Kustīgais asmens	7	Pakāršanas lente
2	Nekustīgais asmens	8	Pārvietojamā asmens plāksne
3	LED darba gaisma	9	Suka (putekļu notīrīšanai)
4	Turpgaitas režīma slēdzis	10	Grozāmā pārslēdzēja poga
5	Slēdža fiksators	11	Pakāršanas cilpa
6	Atpakaļgaitas režīma slēdzis	—	—

Akumulators

Akumulators

- Iegādes brīdī var būt aktivizēta akumulatora aizsardzības funkcija, jo akumulators nav pietiekami uzlādēts. (Lūdzu, rīkojieties piesardzīgi, jo šis izstrādājums var sākt darboties, ja jūs nospiežat slēdzi.) Pirms lietošanas pareizi uzlādējiet akumulatoru ar ātro lādētāju.
- Neizmantojot šo izstrādājumu, uzlieciet akumulatora pārsegu. Tas palīdz pasargāt akumulatoru no ūdens un putekļiem.
- Nelietojot izstrādājumu ilgu laiku, glabājiet to ar izņemtu akumulatoru.

Akumulatora kalpošanas laika pagarināšana

- Kad jūtat, ka darbarīka jauda samazinās, pārtrauciet tā lietošanu un uzlādējiet akumulatoru.
- Nelādējiet atkārtoti akumulatoru, kas ir pilnībā uzlādēts.
- Lādējiet akumulatoru apkārtējās temperatūras diapazonā no 10 °C līdz 40 °C.
- Ja akumulators uzksarsis, piemēram, uzreiz pēc lietošanas, mēs iesakām to ievietot lādētājā atdzišanai un uzlādēt to.
- Ja lītija jonu akumulatoru nelietos ilgu laiku (vismaz 6 mēnešus), mēs iesakām to uzlādēt un pēc tam novietot glabāšanai.

Akumulatoru savākšana

- Izmantotos akumulatorus savāc pārstrādei. Lūdzu, nogādājiet akumulatoru uz veikalu, kur iegādājāties šo izstrādājumu, vai uz Makīta pārdošanas biroju.



Li-ion

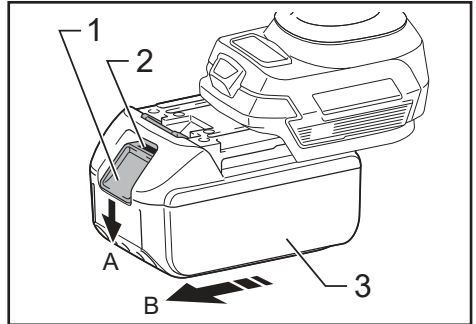
Utilizējiet litija jonu akumulatoru

Kā uzstādīt un noņemt akumulatoru

⚠ BRĪDINĀJUMS.

Pareizi ievietojiet akumulatoru ierīcē. Ja ir redzama sarkanā daļa pogas augšpusē, akumulators nav pilnībā nofiksēts vietā. Stingri ievietojiet akumulatoru, līdz sarkanā daļa vairs nemaz nav redzama.

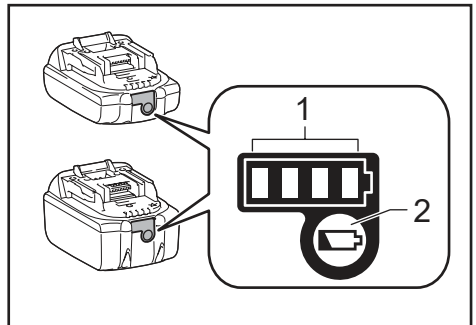
- Ja akumulators nav pietiekami stingri ievietots, tas var atdalīties un izraisīt negadījumu.
- Lai noņemtu akumulatoru no šī izstrādājuma, A) turiet nospiestu pogu akumulatora priekšdaļā un B) bīdīet akumulatoru, lai to noņemtu.
- Uzstādot akumulatoru, savietojiet akumulatoru ar rievām ierīcē un pēc tam ievietojiet to līdz galam, veicot darbības pretējā secībā. Ja šajā brīdī ir redzama sarkanā daļa pogas augšpusē, akumulators nav pilnībā nofiksēts vietā. Ievietojiet akumulatoru pareizi līdz galam, līdz sarkanā daļa vairs nemaz nav redzama.



► 1. Pogas 2. Sarkanā daļa 3. Akumulators

Atlikušās akumulatora jaudas indikācija

Tikai akumulatora kasetnēm ar indikatoru



► 1. Indikatora lampiņas 2. Pārbaudes poga

Nospiediet pārbaudes pogu uz akumulatora kasetnes, lai parādītu atlikušo akumulatora jaudu. Indikatora lampiņas iedegas uz dažām sekundēm.

Indikatora lampiņas			Atlikusī jauda
Deg	Nedeg	Mirgo	
■	■	■	No 75% līdz 100%
■	■	□	No 50% līdz 75%
■	□	□	No 25% līdz 50%
■	□	□	No 0% līdz 25%
◐	□	□	Uzlādējiet akumulatoru.
■	■	□	Akumulatoram var būt darbības traucējumi.
□	□	■	

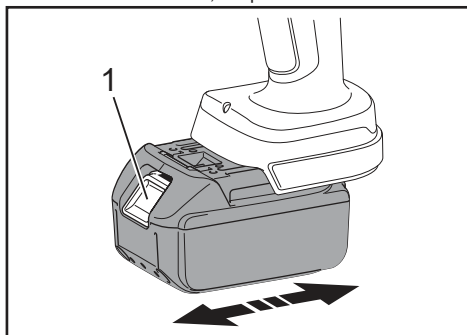
PIEZĪME. Atkarībā no lietošanas apstākļiem un apkārtējās temperatūras indikācija var mazliet atšķirties no faktiskās atlikušās jaudas.

PIEZĪME. Pirmā (galējā kreisā) indikatora lampiņa mirgo, ja darbojas akumulatora aizsardzības sistēma.

Kā izmantot darbarīku

Akumulatoru bloka pievienošana

1. Spiežot mēlīti, izvelciet ārā akumulatoru bloku. Lai nomaiņītu akumulatoru bloku, stingri iespiediet jauno akumulatoru bloku vietā.
2. Pēc akumulatoru bloka iebīdīšanas pārbaudiet, vai tas ir stingri nofiksēts vietā, viegli pavelkot to. Velkot akumulatoru, nespiediet mēlīti.

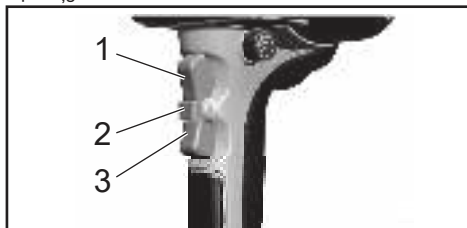


- 1. Mēlīte

Slēdža darbība

Drošības nolūkā šim darbarīkam ir dubultas darbības slēdžu sistēma.

Lai aktivizētu turpgaitas režīmu (griešanu) un atpakaļgaitas režīmu (atpakaļgaitu), vispirms nospiediet slēdža bloķētāju un pēc tam spiediet turpgaitas/atpakaļgaitas režīma slēdži.



- 1. Turpgaitas režīma slēdzis 2. Slēdža bloķētājs
3. Atpakaļgaitas režīma slēdzis

Darba palīdzības LED lampa

Šim darbarīkam ir LED lampa, kas apgaismo knaibļu asmens apkārtni. Tā deg, kad ir nospiests turpgaitas vai atpakaļgaitas slēdzis, tad izslēdzas aptuveni 10 sekundes pēc tam, kad slēdzis ir atlaists.

⚠ UZMANĪBU!

- Neskatieties tieši LED lampā. Ilga skatīšanās LED lampā var kaitēt acīm.

Mazas akumulatora jaudas brīdinājums

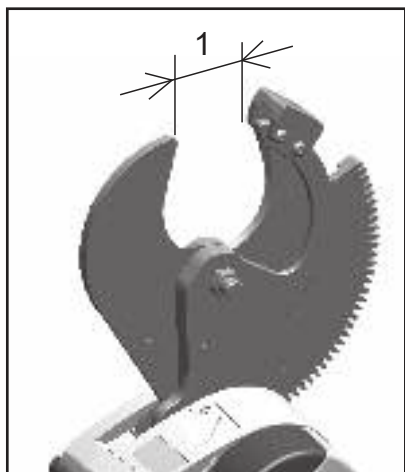
Ja akumulatora atlikusī jauda ir maza, LED lampa brīdinoši nomirgo 5 reizes, ieslēdzot turpgaitas režīma slēdži. Uzlādējiet akumulatoru vai nomainiet to ar rezerves akumulatoru.

Griešanas darbības

1. [DTC100]
Aktivizējiet slēdži, lai atvērtu kustīgo asmeni. Izmantojiet turpgaitas un atpakaļgaitas režīma slēdži, lai iestatītu kustīgo asmeni neitrālā pozīcijā.

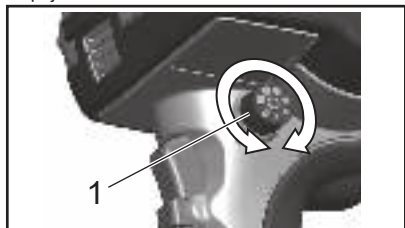


1. [DTC101]
Pārliecinieties, vai atvērums ir pietiekams. Pārliecinieties, vai atvērums ir pietiekami liels, lai ievietotu kabeli. Ja atvērums ir pārāk šaurs, nospiediet atpakaļgaitas režīma slēdži, lai to atvērtu.



► 1. Atvērums

2. Grozāmās pārslēdzēja pogas izmantošana, lai iespējotu vai atspējotu automātisko atpakaļgaitu
Pagrieziet pogu vēlamajā pozīcijā, lai iespējotu automātisko atpakaļgaitu, vai pagrieziet to, lai atspējotu.

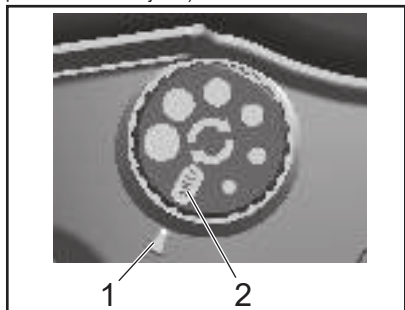


► 1. Grozāmā pārslēdzēja poga

Automātiskās atpakaļgaitas funkcija

Ja ir iespējota automātiskā atpakaļgaita, pēc kabeļa pārgriešanas motors nobremzē. Atlaižot turpgaitas režīma slēdzi, kustīgais asmens automātiski atgriežas pozīcijā, kas iestāfita ar grozāmo pārslēdzēja pogu.

Atvērums var noregulēt 6 līmeņos. (Atvēruma platums ir orientējošs.)



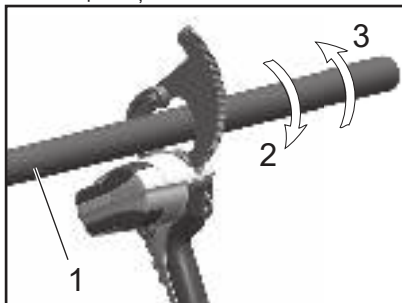
► 1. Atvērums platums 2. Izslēgts

⚠ UZMANĪBU!

- Automātiskā atpakaļgaita neieslēdzas, ja turpgaitas režīma slēdzi atlaiž pirms griešanas pabeigšanas.
- Automātiskā atpakaļgaita neieslēdzas, strādājot ar tiem elektrības kabeļiem, kuru šķēsgriezums ir 60 mm² vai mazāk.
- Atvērums diametrs var atšķirties atkarībā no atlikušā akumulatora sprieguma.

3. [DTC100]
Elektrības kabeļa ievietošana kustīgā asmens atvērumā

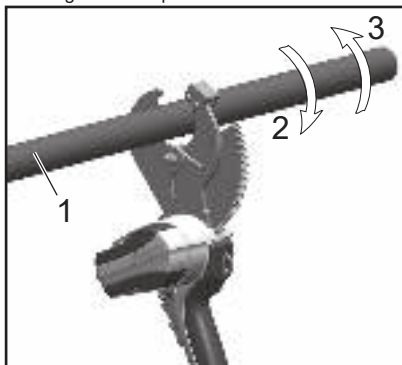
Novietojiet griezamo kabeli uz nekustīgā asmens un aizveriet kustīgo asmeni ap kabeli. Ievirziet kustīgo asmeni ar roku, lai zobrata zobi saslēgtos ar ierīces piedziņas mehānismu.



► 1. Kabelis 2. Pārgriešanas griešanās virziens
3. Atpakaļgaitas griešanās virziens

3. [DTC101]
Elektrības kabeļa ievietošana kustīgā asmens atvērumā

Ievietojiet griezamo kabeli asmens atvērumā uz nekustīgā asmens puses.



► 1. Kabelis 2. Pārgriešanas griešanās virziens
3. Atpakaļgaitas griešanās virziens

4. Turpgaitas režīma slēdža darbināšana un elektrības kabeļa pārgriešana
Turiet nospiestu turpgaitas režīma slēdzi, līdz griešana ir pabeigta.
5. Grūžu noņemšana pēc griešanas.

Kad griešana ir pabeigta, notīriet no asmens visus atgriezumus un grūžus.

⚠️ UZMANĪBU!

• Ilgstoša lietošana

Lai aizsargātu motoru, pārtrauciet darbarīka lietošanu, ja zona ap brīdinājuma uzlīmi sakarst. Lai turpinātu lietot darbarīku, uz 50 minūtēm novietojiet to vēsā un labi vēdinātā vietā, līdz tas atdziest.

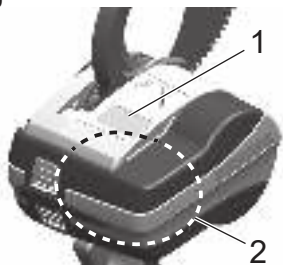
• Pārstrāvas/pārslodzes aizsardzība var aktivizēties arī tad, ja ar darbarīku strādā griešanas jaudas ietvaros.

Darbarīka jaudu ietekmē darba temperatūra, kabeļa garums un izliekums, kā arī citi faktori.

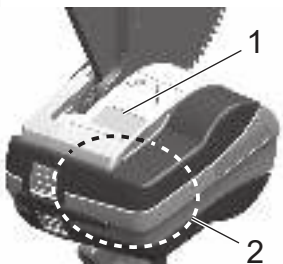
• Ja LED mirgo 6 reizes vai vairāk, tas norāda uz elektriskās plates kļūdu.

Lūdzu, vērsieties pie izplatītāja.

DTC100



DTC101



- ▶ 1. Brīdinājuma uzlīme
- 2. Intensīva karstuma brīdinājuma zona

⚠️ UZMANĪBU!

- DTC100 un DTC101 paredzēti tikai vara un alumīnija kabeļiem. Neizmantojiet šos darbarīkus tēraudam, ACSR vai citiem tērauda materiāliem.

Pārstrāvas aizsardzības funkcija

Ja rodas pārslodzes strāva tāpēc, ka kabelis pārsniedz tehniskos datus, ieslēdzas pārstrāvas aizsardzības funkcija, kas aptur motoru. Lai atsāktu darbību, atlaidiet turpgaitas režīma slēdzi.

Aizstāšana ar rezerves daļām (DTC100)

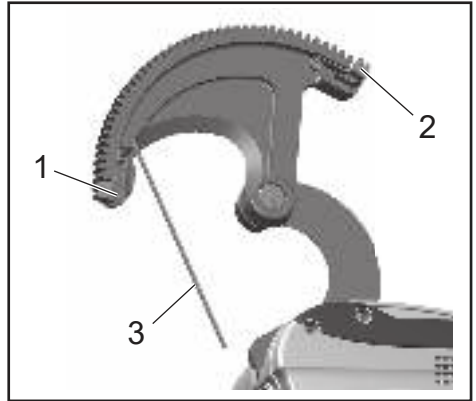
Lai pats nomainītu zobrata vadotni, izpildiet tālāk aprakstīto procedūru.

⚠ UZMANĪBU!

- Pirms zobrata vadotnes nomaiņas izņemiet akumulatoru bloku no galvenās ierīces.
- Ja zobrata vadotne ir bojāta vai rada neparastu troksni, nekavējoties to nomainiet. Turpinot lietot izstrādājumu ar bojātu zobrata vadotni, var radīt iekšējo zobratu bojājumus.

Zobrata vadotnes nomaiņa

1. Zobrata vadotnes noņemšana
Izmantojiet seššķautņu atslēgu, lai atskrūvētu skrūvi ar sešstūra ligzdu (M3 × 3), un noņemiet zobrata vadotni.
2. Zobrata vadotnes uzstādīšana
Uzstādiat jauno zobrata vadotni un stingri pievelciat skrūvi.



- 1. Zobrata vadotne (A) 2. Zobrata vadotne (B)
3. Seššķautņu atslēga

Aizstāšana ar rezerves daļām (DTC101)

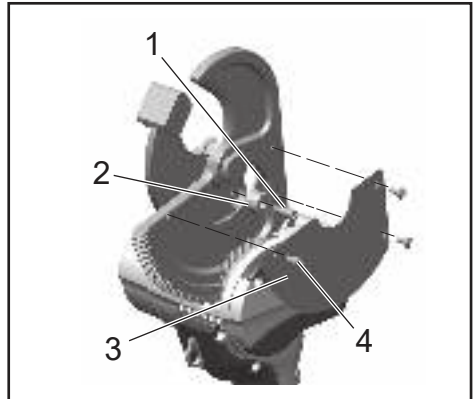
Lai pats nomainītu atduri, izpildiet tālāk aprakstīto procedūru.

⚠ UZMANĪBU!

- Pirms atdura nomaiņas izņemiet akumulatoru bloku no galvenās ierīces.

Atdura nomaiņa

1. Noņemiet apaļgalvas Philips skrūves, plāksni un balsta skrūvi (37), pēc tam noņemiet atduri.
2. Uzstādiat jauno atduri ar balsta skrūvi, uzklājiet skrūvei skrūves fiksācijas līmi, pēc tam pilnībā pievelciat.
3. Uzstādiat plāksni un ieskrūvējiet apaļgalvas Philips skrūves.

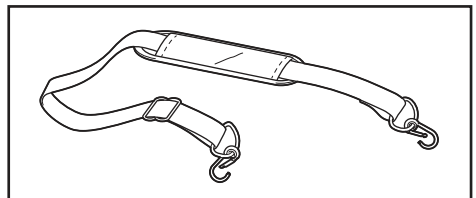


- 1. Balsta skrūve (37) 2. Atduris 3. Plāksne
4. Apaļgalvas Philips skrūves

Papildu piederumi

• Pleca sikсна (161347-8)

Šo pleca siksnu izmanto, lai savienotu ar šā darbarīka pakāršanas lenti.



Apkope/pārbaude

- Nemiet vērā, ka nevērība pret ikdienas apkopi/pārbaudi var izraisīt darbarīka darbības traucējumus.
- Lai nodrošinātu netraucētu darbību un novērstu rūsas veidošanos, neglabājiet darbarīku mitrā vidē.
- Ja darbarīks gūst bojājumus normālas lietošanas laikā (10 000 vai vairāk darbības reižu, 1 000 vai vairāk griezienu), neatsāciet darbību vienkārši pēc bojātās daļas nomaiņas, jo tas ir sasniedzis darbības beigas.
- Ja gumijotā daļa kļūst netīra, noslaukiet to ar ziepjūdeni samitrinātu mīkstu drānu.
- Glabājot akumulatoru bloku atsevišķi, uzlieciet uz spaiļēm piederuma spaiļu pārsegu, lai novērstu tīssavienojumu.
- Mēs iesakām drošības pārbaudei iesniegt darbarīku apmēram reizi divos gados (par maksu). Sīkāku informāciju saņemiet no izplatītāja.

Tehniskie dati

Akumulatora kabeļu knaibles	DTC100	DTC101
Maksimālais griežamais diametrs	Tikai materiāli, kas nav dzelzs (AL vai Cu)	
	φ50 mm (Cu stieple φ30 mm / Al stieple φ38 mm)	
Elektromotors	Līdzstrāvas motors	
Izmēri	117 (D) × 320 (A) × 197 (P) (mm)	117 (D) × 380 (A) × 189 (P) (mm)
Svars	2,2 kg	2,9 kg

⚠ UZMANĪBU!

- DTC100 un DTC101 paredzēti tikai vara un alumīnija kabeļiem. Neizmantojiet šos darbarīkus tēraudam, ACSR vai citiem tērauda materiāliem.

Atbilstības deklarācijas

Tikai Eiropas valstīm

Atbilstības deklarācijas iekļautas šīs lietošanas instrukcijas A pielikumā.

⚠️ ĮSPĖJIMAS! Perskaitykite ir išsiaiškinkite visus šiame operatoriaus vadove ir instrukcijose pateiktus nurodymus ir saugos informaciją. Naudojant ne pagal paskirtį, rizikuojama sunkiai arba net mirtinai susižaloti.

- Dėkojame, kad įsigijote mūsų akumuliatorines kabelio kirpimo žirkles.
- Prieš pradėdami naudoti įrangą, atidžiai perskaitykite šį naudotojo vadovą. Perskaitykite šį naudotojo vadovą, pasidėkite jį lengvai pasiekiamą vietą.
- **Aprašas**
Šios mechaninės akumuliatorinės žirklys skirtos šiandieninėje pramonėje naudojamiems kabeliams kirpti.

Saugos atsargumo priemonės

⚠️ ĮSPĖJIMAS! Perskaitykite visus saugos įspėjimus ir nurodymus. Jei nesilaikysite įspėjimų bei nurodymų, galite gauti elektros šoką, sukelti gaisrą ir (arba) rimtai susižaloti.

Išsaugokite visus įspėjimus ir instrukcijas, kad galėtumėte susipažinti ateityje.

⚠️ ĮSPĖJIMAS! Netinkamai naudodamas šį gaminį, naudotojas rizikuoja rimtai susižaloti arba netgi žūti.

1) Sauga darbo vietoje

- a) Darbo vieta turi būti švari ir gerai apšviesta. Dirbant netvarkingoje arba tamsioje vietoje, didėja nelaimingų atsitikimų pavojus.
- b) Nenaudokite elektrinių įrankių sprogojoje aplinkoje, pvz., ten, kur yra liepsniųjų skysčių, dujų ar dulkių. Elektriniai įrankiai generuoja kibirkštis, galinčias uždegti dulkes arba dūmus.
- c) Dirbdami su elektriniu įrankiu, pasirūpinkite, kad vaikai ir pašaliniai asmenys laikytųsi atokiai. Dėl koncentracijos stokos galite netyčia prarasti kontrolę.

2) Elektros sistemos sauga

- a) Elektrinio įrankio kištukai turi atitikti lizdą. Niekada ir niekaip nemodifikuokite kištuko. Su įžemintais elektriniais įrankiais nenaudokite jokių adapterių kištukų. Nemodifikuoti kištukai ir juos atitinkantys lizdai sumažins elektros šoko pavojų.
- b) Venkite kūno sąlyčio su įžemintais paviršiais, pvz., vamzdžiais, radiatoriais, viryklėmis ir šaldytuvais. Jei jūsų kūnas bus įžemintas, padidės elektros šoko pavojus.
- c) Saugokite elektrinius įrankius nuo lietaus ir drėgmės. Jei į elektrinį įrankį pateks vandens, padidės elektros šoko pavojus.
- d) Tinkamai elkitės su kabeliu. Niekada nenaudokite kabelio elektriniam įrankiui nešti, traukti ar nuo elektros tinklo atjungti.

Laikykite kabelį atokiai nuo šilumos, alyvos, aštrių kraštų ar judančių dalių. Pažeisti ar supainioti kabeliai didina elektros šoko pavojų.

- e) Naudojant elektrinį įrankį lauke, reikia naudoti laukui tinkamą ilginimo kabelį. Jei naudosite lauko sąlygomis tinkamą kabelį, sumažinsite elektros šoko pavojų.
- f) Jei elektrinį įrankį naudoti drėgnoje vietoje yra neišvengiama, naudokite maitinimo šaltinį su liekamosios srovės apsaugu (RCD). Naudojant RCD, mažėja elektros šoko pavojus.

3) Asmeninė sauga

- a) Dirbdami elektriniu įrankiu būkite budrus, žiūrėkite, ką darote ir vadovaukitės sveiku protu. Nesinaudokite elektriniu įrankiu, kai esate pavargę, apsvaigę nuo narkotinių medžiagų, alkoholio ar vaistų. Jei dirbdami elektriniu įrankiu akimirksniu nekreipsite dėmesį, galite sunkiai susižaloti.
- b) Naudokite asmenines apsaugos priemones. Būtinai dėvėkite akių apsaugos priemones. Tinkamai naudojamos apsaugos priemonės, pvz., kaukė nuo dulkių, apsauginiai batai neslystančiu padu, šalmas arba ausų apsaugos priemonės sumažins susižalojimo pavojų.
- c) Apsisaugokite nuo atsitiktinio paleidimo. Prieš jungdami elektrinį įrankį prie maitinimo tinklo ar akumuliatoriaus, prieš jį imdami ar nešdami, užtikrinkite, kad jungiklis būtų išjungimo padėtyje. Jei nešite elektrinį įrankį pirštą laikydami ant jungiklio arba prijungsite elektrinį įrankį prie maitinimo šaltinio su įjungtu jungikliu, kils nelaimingų atsitikimų pavojus.
- d) Prieš jungdami elektrinį įrankį, nuimkite reguliavimo raktą arba veržliaraktį. Jei paliksite veržliaraktį arba raktą prijungtą prie elektrinio įrankio sukamosios dalies, galite susižaloti.
- e) Nesiekite per toli. Visuomet stovėkite tinkamai ir stabiliai. Taip galėsite geriau kontroliuoti elektrinį įrankį netikėtose situacijose.
- f) Tinkamai apsirenkite. Nedėvėkite laisvų drabužių arba papuošalų. Laikykitės plaukus, drabužius ir pirštines atokiai nuo judančių dalių. Judančios dalys gali įtraukti laisvus drabužius, papuošalus arba ilgus plaukus.

- g) Jei sumontuoti įtaisai, skirti dulkių ištraukimo ir surinkimo įrangai prijungti, pasirūpinkite, kad ji būtų prijungta ir tinkamai naudojama. Surenkant dulkes, galima išvengti su dulkelėmis susijusių pavojų.
- h) Neleiskite, kad dažnai naudojantis įrankiais įgytos žinios lemtų jūsų darbo aplaidumą ir įrankių saugos principų nepaisymą. Neatsargus veiksmas per sekundės dalį gali sukelti sunkią traumą.
- d) Netinkamai eksploatuojant, iš akumulatoriaus gali iškėti skysčio: venkite sąlyčio su juo. Atsitiktinio sąlyčio atveju nuplaukite paveiktą vietą vandeniu. Patekus skysčio į akis, papildomai kreipkitės į gydytoją.
- Iš akumulatoriaus iškėjęs skystis gali sudirginti arba nudeginti.

4) Elektrinių įrankių naudojimas ir priežiūra

- a) Nenaudokite elektrinio įrankio per jėgą. Parinkite savo darbui tinkamą elektrinį įrankį. Tinkamas elektrinis įrankis geriau ir saugiau atliks užduotis, kurioms buvo suprojektuotas.
- b) Nenaudokite elektrinio įrankio, jei jungikliu nepavyksta jo įjungti ar išjungti. Būtina suremontuoti bet kokį elektrinį įrankį, kurio negalima valdyti jungikliu, nes jis kelia pavojų.
- c) Prieš reguliuodami įrankį, keisdami priedus ar padėdami sandėliuoti, atjunkite kištuką nuo elektros tinklo arba atjunkite akumuliatorių nuo elektrinio įrankio. Tokios prevencinės saugos priemonės sumažins pavojų netyčia įjungti elektrinį įrankį.
- d) Sandėliuokite elektrinius įrankius vaikams nepasiekiamoje vietoje ir neleiskite su elektriniu įrankiu arba šiomis instrukcijomis nesusipažinusiems žmonėms eksploatuoti elektrinio įrankio. Neparengtų žmonių rankose elektriniai įrankiai kelia didelį pavojų.
- e) Prižiūrėkite elektrinius įrankius ir priedus. Patikrinkite, ar tinkamai sulygiuotos ir nestringa judančios dalys, ar nėra lūžusių dalių bei kitų požymių, galinčių kelti pavojų elektrinio įrankio eksploatacijos metu. Jei elektrinis įrenginys apgadintas, prieš tęsiant eksploataciją būtina jį suremontuoti. Dėl prastai prižiūrimų elektrinių įrankių kyla daug nelaimingų atsitikimų.
- f) Pasirūpinkite, kad kirpimo įrankiai būtų aštrūs ir švarūs. Tinkamai prižiūrint kirpimo įrankius ir galandant jų kirpimo briaunas, jos mažiau strigs ir bus lengviau įrankį kontroliuoti.
- g) Naudokite elektrinius įrankius, priedus, antgalius ir pan. pagal šias instrukcijas, atsižvelgdami į darbo sąlygas ir atliekamus darbus. Jei naudosite elektrinį įrankį ne pagal paskirtį, kils pavojus.
- h) Rankenos ir suėmimo paviršiai turi būti sausi ir švarūs, ant jų neturi būti alyvos ir tepalo. Dėl slidžių rankenų ir suėmimo vietų gali nepavykti saugiai valdyti ir kontroliuoti įrankio netikėtose situacijose.

5) Akumulatorinio įrankio naudojimas ir priežiūra

- a) Įkraukite tik gamintojo nurodytu įkrovikliu. Vienam akumulatoriui tinkamas įkroviklis, naudojamas kitam akumulatoriui įkrauti, gali kelti gaisro pavojų.
- b) Į akumulatorinius įrankius dėkite tik jiems skirtus akumulatorius. Jei naudosite kitus akumulatorius, rizikuosite susižaloti arba sukelti gaisrą.
- c) Kai nenaudojate akumulatoriaus, laikykite jį atokiai nuo metalinių objektų, pvz., sąvaržėlių, monetų, raktų, vinių, sraigčių ar kitų mažų metalinių daiktų, kurie gali sujungti kontaktus. Dėl akumulatoriaus kontaktų trumpojo jungimo galima nusideginti arba gali kilti gaisras.

- e) Nenaudokite pažeisto arba modifikuoto akumulatoriaus arba įrankio. Pažeisti arba modifikuoti akumulatoriai gali veikti neprognozuojamai ir sukelti gaisrą, sproгимą arba sužaloti.
- f) Nemeskite akumulatoriaus arba įrankio į ugnį ir nelaikykite jo aukštoje temperatūroje. Ugnis arba aukštesnė nei 130 °C temperatūra gali sukelti sproгимą.
- g) Laikykites visų įkrovimo instrukcijų ir neįkraukite akumulatoriaus arba įrankio už nurodymuose pateikto temperatūros intervalo ribų. Įkraunant netinkamai arba nesilaikant nurodyto temperatūrų intervalo, akumulatorius gali būti apgadintas ir gali padidėti gaisro pavojus.

6) Priežiūra

- a) Pasirūpinkite, kad jūsų elektrinio įrankio priežiūros darbus atliktų kvalifikuotas specialistas ir būtų naudojamos tik identiškos atsarginės dalys. Taip išlaikysite elektrinio įrankio saugą.
- b) Niekada nevykdykite pažeistų akumuliatorių priežiūros darbų. Akumuliatorių priežiūrą turi atlikti tik gamintojas arba įgaliotieji priežiūros paslaugų teikėjai.

Vykdydami operaciją, kai tvirtinimo elementas gali užkabinti paslėptus laidus, elektrinį įrankį laikykite už izoliuotų suėmimo paviršių. Jei tvirtinimo detalės palies laidą, kuriuo teka srovė, atviromis metalinėmis elektrinio įrankio dalimis gali pradėti tekėti srovė ir operatorių gali ištikti elektros šokas.

Naudokite originalų „Makita“ įkroviklį ir akumuliatorių.

- Naudokite originalų, šiam įrankiui skirtą akumuliatorių.
- Neįkraukite akumulatoriaus kitu įkrovikliu. Jei nesilaikysite šio reikalavimo, jis gali trūkti, dėl to gali įvykti nelaimingas atsitikimas ir kas nors gali susižaloti.

Tinkamai įkraukite akumuliatorių.

- Kartu su šiuo gaminiu tiekiamam akumulatoriaus įkrovikliui prijungti naudokite maitinimo šaltinį su rodikliu indikacija.
- Akumuliatorių įkrauti nenaudokite nuolatinės srovės šaltinio arba varklio varomo elektros generatoriaus. Jei nesilaikysite šio nurodymo, gali išsiskirti per didelės karštis, dėl kurio gali kilti gaisras.
- Neįkraukite akumulatoriaus, kai aplinkos, akumulatoriaus arba akumulatoriaus įkroviklio temperatūra yra žemesnė nei 0 °C arba aukštesnė nei 40 °C. Nesilaikant šio nurodymo, jis gali trūkti arba gali kilti gaisras.
- Akumuliatorių įkrauti pasirinkite gerai vėdinamą vietą.
- Įkrovimo metu neuždengkite akumulatoriaus šluoste. Nesilaikant šio nurodymo, gali atsirasti įtrūkimų arba kilti gaisras.
- Įkrovę būtinai atjunkite maitinimo kištuką. Nesilaikant šio nurodymo, galima gauti elektros šoką arba sukelti gaisrą.

Naudodami nenukreipkite žirklių į žmones.

- Jei nesilaikysite šios taisyklės, galite ką nors sužaloti.

Nejunkite akumulatoriaus kontaktų trumpuoju jungimu.

- Kai akumulatorius laikomas atskirai, būtinai sumontuokite ant kontaktų dangtelį, kad išvengtumėte trumpojo jungimo. Užtikrinkite, kad akumulatoriaus kontaktai nebūtų trumpuoju jungimu sujungti su kitomis metalinėmis dalimis, pvz., varžtais, vinimis ir pan.

Saugokite akumuliatorių nuo liepsnos.

- Jei nesilaikysite šio nurodymo, jis gali trūkti arba gali ištekėti pavojingos medžiagos.

Nenaudokite liesdami dalis, kuriomis teka elektros srovė.

- Įrankis nėra izoliuotas. Naudojimas elektrifikuotose vietose gali sukelti elektros šoką.
- Nelieskite maitinimo kištuko arba akumulatoriaus drėgnomis rankomis. Jei nesilaikysite šio nurodymo, galite gauti elektros šoką.

Toliau nurodytais atvejais išimkite akumuliatorių iš įrankio korpuso.

- Kai nenaudojate arba remontuojate.
- Kai keičiate atsargines dalis.
- Kitais atvejais, kai įtariamas pavojus. Jei nesilaikysite šių įspėjimų, įrankis gali atsitiktinai įsijungti ir ką nors sužaloti.

Netikėtai įrankio paleidimas.

- Nešiodami įrankį laikykite pirštus toli nuo gaiduko. Netikėtai įjungus įrankį, galima susižeisti.

Naudokite tik nurodytus priedus.

- Nenaudokite jokių priedų, išskyrus nurodytus šiame naudojimo vadove arba mūsų kataloge. Jei nesilaikysite šio nurodymo, galite sukelti nelaimingą atsitikimą arba susižaloti.

Naudokite apsaugos priemones.

- Dirbdami dėvėkite apsauginius akinius. Jei dirbate dulkių aplinkoje, dėvėkite apsauginę kaukę. Kerpant gali būti išsviesti maži gabalėliai, kurie gali ką nors sužaloti.

Nežiūrėkite į šviesos diodų darbinę lempuotę.

- Tai gali pabloginti regėjimą.

Įvertinkite darbo aplinką.

- Nenaudokite įrankio, akumulatoriaus įkroviklio arba akumulatoriaus per lietu arba šlapioje (drėgnoje) vietoje. Nesilaikant šio nurodymo, galima gauti elektros šoką arba gali atsirasti dūmų.
- Dirbkite pakankamai šviesioje vietoje. Dirbant tamsioje vietoje, gali įvykti nelaimingas atsitikimas.
- Nenaudokite ir neįkraukite akumulatoriaus, jei aplinkoje yra liepsniųjų skysčių arba dujų. Nesilaikant šio nurodymo, gali įvykti sprogdimas arba kilti gaisras.

Darbo vietoje turi būti nuolat švaru.

- Dėl netvarkingų vietų ir darbastalių gali įvykti nelaimingas atsitikimas.

Pasirūpinkite, kad vaikai būtų atokiai nuo įrankio.

- Neleiskite prie įrankio ir akumulatoriaus įkroviklio laido liestis kitiems asmenims, išskyrus operatorių. Neleiskite žmonėms patekti į darbo vietą. Jei nesilaikysite šio nurodymo, kas nors gali susižaloti.

Kai įrankis nenaudojamas, sandėliuokite jį tinkamai.

- Sandėliuokite įrankį tokioje vietoje, kur mažas drėgnumas, taip pat – aukštai, kad vaikai negalėtų jo pasiekti, arba rakinamoje vietoje. Jei nesilaikysite šio nurodymo, gali įvykti nelaimingas atsitikimas.
- Nelaikykite įrankio arba akumulatoriaus tokioje vietoje, kur temperatūra gali pakilti iki 40 °C arba daugiau (metalinėje dėžėje, automobilyje vasarą ir pan.). Jei nesilaikysite šio nurodymo, akumulatoriaus gali sugesti, todėl gali atsirasti dūmų arba jis gali užsidegti.

Nenaudokite įrankio netinkamai.

- Dirbkite pagal įrankio pajėgumus, kad darbas būtų saugus ir efektyvus. Įrankio naudojimas viršijant jo pajėgumus gali tapti nelaimingo atsitikimo priežastimi.
- Nenaudokite įrankio netinkamai, dėl ko suveiktų variklio apsauga ir jis būtų užrakintas. Nesilaikant šio nurodymo, gali atsirasti dūmų arba įranga gali užsiliepsnoti.

Naudokite darbu tinkamą įrankį.

- Nenaudokite įrankio kitais, nei nurodyta, tikslais. Jei nesilaikysite šio nurodymo, kas nors gali susižaloti.

Darbą atlikite su tinkama apranga.

- Nedėvėkite laisvų drabužių arba aksesuarų, pvz., vėrinio. Tokie daiktai gali įstrigti judančioje, besisukančioje arba panašioje dalyje.
- Dirbant lauke, rekomenduojama mūvėti gumines pirštines ir avėti avalynę neslidžiais padais. Slidžios pirštinės ir batai gali tapti susižalojimo priežastimi.
- Jei nešiojate ilgus plaukus, pridenkite juos kepuraitė arba plaukų apdangalu. Jei nesilaikysite šio nurodymo, jūsų plaukai gali įspainioti į judančią, besisukančią arba panašią dalį.

Nedirbkite įrankiu nenatūralioje pozėje.

- Nuolat tinkamai stovėkite ir išlaikykite pusiausvyrą. Jei nesilaikysite šio reikalavimo, galite nukristi ir susižeisti.

Dirbkite dėmesingai ir labai atidžiai.

- Kai naudojate įrankį, būkite atsargūs jį nešdami, pasirinkite reikiamą darbo metodą, įvertinkite aplinką ir tinkamai vykdykite operacijas. Jei nesilaikysite šio nurodymo, gali įvykti nelaimingas atsitikimas arba kas nors gali susižaloti.
- Nedirbkite įrankiu būdami apsvaigę nuo alkoholio. Jei nesilaikysite šio nurodymo, gali įvykti nelaimingas atsitikimas arba kas nors gali susižaloti.
- Nedirbkite įrankiu būdami prastos fizinės būklės. Jei nesilaikysite šio nurodymo, gali įvykti nelaimingas atsitikimas arba kas nors gali susižaloti.

Negalima šiurkščiai elgtis su akumulatoriaus įkroviklio laidu.

- Nenešioti įkroviklio už laido ir netraukite jo norėdami atjungti nuo lizdo.
- Laidas turi būti laikomas atokiai nuo šilumos šaltinių, tepalo ir aštrių kraštų.

- Pasirūpinkite, kad įkrovimo aplinkoje niekas neliptų ant laido ir jo neužkliudytų. Jei nesilaikysite šio nurodymo, galite gauti elektros šoką arba gali įvykti trumpasis jungimas ir kas nors gali užsiliepsnoti.

Naudokite lauko specifikacijos atitinkantį ilgiklį.

- Jei įrankį naudojate lauke, rinkitės ilgiklį su atspariu, guma aptrauktu laidu.

Rūpestingai vykdykite įrankio techninę priežiūrą.

- Keisdami atsargines dalis, vadovaukitės naudotojo vadovu. Jei nesilaikysite šio nurodymo, kas nors gali susižaloti.
- Reguliariai tikrinkite akumuliatoriaus įkroviklio laidą. Jei laidas pažeistas, kreipkitės į įgaliotąjį serviso centrą dėl remonto. Jei nesilaikysite šio nurodymo, galite gauti elektros šoką arba gali įvykti trumpasis jungimas ir kas nors gali užsiliepsnoti.
- Jei naudojamas ilgiklis, reguliariai jį tikrinkite. Jei laidas pažeistas, pakeiskite jį nauju. Jei nesilaikysite šio nurodymo, galite gauti elektros šoką arba gali įvykti trumpasis jungimas ir kas nors gali užsiliepsnoti.
- Pasirūpinkite, kad rankena visada būtų sausa ir švari, saugokite ją nuo alyvos ir riebalų. Jei nesilaikysite šio nurodymo, kas nors gali susižaloti.

Patikrinkite pažeistas dalis.

- Prieš naudodami patikrinkite, ar niekas nepažeista. Įsitinkite, kad įrankis veikia normaliai ir visi komponentai veikia tinkamai.
- Patikrinkite, ar judančios dalys sulęjusios, ar veikia sklandžiai, ar nesulūžusios, ar tinkamai sumontuotos ir ar nėra kokių nors kitų veikimui įtakos galinčių turėti aplinkybių.
- Nenaudokite akumuliatoriaus įkroviklio, kurio kištukas arba laidas pažeistas arba kuris buvo numestas (sugadintas). Jei nesilaikysite šio nurodymo, galite gauti elektros šoką arba gali įvykti trumpasis jungimas ir kas nors gali užsiliepsnoti.

Jei jis pažeistas, jį turi tinkamai suremontuoti arba pakeisti įgaliotojo serviso centro specialistas, nebent šiame naudotojo vadove nurodyta kitaip. Defektingus jungiklius turi pakeisti įgaliotojo serviso centro specialistas. Nenaudokite įrankio, jei jungikliu nepavyksta jo įjungti arba išjungti. Toks įrankis gali veikti neįprastai ir ką nors sužaloti.

Dėl remonto kreipkitės į įgaliotąjį serviso centrą.

- Neadykyte, neremontuokite ir nemodifikuokite pagrindinio bloko, akumuliatoriaus įkroviklio arba akumuliatoriaus. Jei nesilaikysite šio reikalavimo, įrenginys gali užsiliepsnoti arba gali pradėti veikti netinkamai ir ką nors sužaloti.
- Jei įrankis įkaista arba jame aptinkama anomalijų, paprašykite patikrinti arba suremontuoti įrankį.
- Šis įrankis pagamintas laikantis atitinkamų saugos reikalavimų. Nebandykite modifikuoti šio gaminio.
- Atiduokite įrankį suremontuoti įgaliotajame serviso centre. Remonto darbus gali atlikti tik kvalifikuotas asmuo, naudodamas originalias atsargines dalis. Priešingu atveju gali kilti didelis pavojus naudotojui.

Atsargumo priemonės naudojant akumuliatorines kabelio kirpimo žirkles

- Naudodamiesi šiuo įrankiu, vadovaukitės toliau pateiktomis instrukcijomis.

Įrankio atsargumo priemonės

- **Niekada nekirpkite nieko, kas viršytų maksimalų kirpimo pajėgumą.**

Būkite atsargūs, nes, nesilaikydami šio nurodymo, galite sugadinti įrenginį. (Žr. p. 244.)

- **Nelieskite judamųjų arba fiksuotųjų peilių pjaunamųjų briaunų.**

Jei nesilaikysite šios taisyklės, kas nors gali susižaloti.

- **Niekada nekirpkite laidų, kuriais teka srovė.**

- **Nenumeskite ir kitaip nesutrenkite.**

Vidinė konstrukcija tiksliai pagaminta taip, kad būtų kompaktiška ir lengva, todėl po smūgio įrenginys gali tinkamai neveikti.

- **Nenaudokite lietuje.**

Kitaip gali aprūdyti peilis ir atšipti pjaunamoji briauna arba įrenginys gali sugesti.

- **Nenukirpkite pernelyg arti galo (nepalikite 50 mm arba dar mažiau).**

Itin trumpai nukirpus CCP ir kitų kabelių galus, gali būti supjaustytas kabelio vidus ir pan.

- **Nenaudokite jėgos kita nei kirpimo kryptimi.**

Visada kirpkite medžiagas tiesiai. Jei nesilaikysite šio nurodymo, galite sugadinti kirpimo peilį.

- **Laikykite tvirtai.**

Jei nesilaikysite šios taisyklės, kas nors gali susižaloti.

- **Prieš naudodami aukštai esančioje vietoje, įsitikinkite, kad po jumis nieko nėra.**

Nesilaikant šio nurodymo, gali įvykti nelaimingas atsitikimas, jei nukristų medžiagos, įrenginys ar pan.

- **Prieš naudodami patikrinkite, ar nieko nėra neįprasto.**

Įtrūkimai arba lūžiai ant žirklių gali jas sugadinti ir ką nors sužaloti.

- **Dirbdami darykite pertraukas.**

Ilgai kerpant be pertraukų, variklis labiau įkaista, todėl gali perkaisti ir sugesti tiek variklis, tiek akumuliatorius. Dirbdami būtinai retkarčiais darykite pertraukas.

- **Žemoje aplinkos temperatūroje (10 °C arba žemesnėje) elektros kabelis gali sukietėti, todėl jį bus sunku nukirpti, net jei jis neviršys kirpimo pajėgumo.**

- **Po kiekvieno naudojimo nuvalykite oru ir pan.**

Būkite atsargūs, kad iš angos (judamojo peilio stūmiklio) į įrenginį nepatektų atraižų ir kitų šiukšlelių.

- **Nekirpkite elektros kabelių su 1 mm skersmens laidu.**

Jei nesilaikysite šio nurodymo, kirpimo peilis gali įstrigti elektros kabelyje ir užsiblokuoti.

Akumuliatoriaus naudojimo atsargumo priemonės

- Niekada nesujunkite kontaktų trumpuoju jungimu.
- Akumuliatorių laikykite atokiau nuo vandens, alyvos ir organinių tirpiklių.
- Neardykite ir nemodifikuokite akumuliatoriaus.
- Prireikus akumuliatorių utilizuoti, nemeskite jo į ugnį ir neišmeskite kartu su buitinėmis atliekomis. (Raginame perdirbti.)
- Nemėtykite ir nenumeskite akumuliatoriaus.
- Nepalikite akumuliatoriaus ilgam vietoje, kur temperatūra yra 40 °C arba aukštesnė.
- Nesujunkite akumuliatoriaus kontaktų trumpuoju jungimu, ant kontaktų dėdami purvo arba dulkių, nes tai gali sutrikdyti veikimą. Jei gnybtas surūdijęs, nenaudokite akumuliatoriaus.
- Siekiant pailginti akumuliatoriaus eksploataciją, įdiegta apsauginė funkcija, kuri sustabdo išėigą. Kai akumuliatoriuje lieka mažai energijos, variklis gali sustoti, net jei naudojantis įrankiu paspaudžiamas valdymo jungiklis. Vis dėlto tokį reiškinį lemia ne veikimo sutrikimas, o apsauginė funkcija. Tokiu atveju akumuliatorių reikia iškart įkrauti.

Atsargumo priemonės dėl akumuliatorių įkroviklio

- Šis akumuliatorių įkroviklis turi indikatorius lempuotę (įvairiaspalvis šviesos diodas), rodančią akumuliatoriaus įkrovimo būseną.
- Nesujunkite įkroviklio kontaktų trumpuoju jungimu, į įkišimo lizdą dėdami purvo arba dulkių, nes tai gali sutrikdyti veikimą. Jei metalinis kontaktas surūdijęs, nenaudokite akumuliatorių įkroviklio.

ĮSPĖJAMIEJI SIMBOLIAI



Prieš naudodami įrankį, atidžiai perskaitykite šiame vadove pateiktas instrukcijas.



Įspėjimo dėl aukštos temperatūros sritis

Siekdami apsaugoti variklį, nenaudokite jo, jei įkaista įspėjimo dėl aukštos temperatūros sritis. (Žr. p. 242.)



Nelieskite naudodami.

Simboliai



Taikoma tik ES šalims
Kadangi įrangoje yra pavojingų komponentų, panaudota elektroninė ir elektroninė įranga, akumulatoriai ir baterijos gali turėti neigiamo poveikio aplinkai ir žmonių sveikatai.

Nešalinkite elektros ir elektroninių prietaisų ar baterijų kartu su buitinėmis atliekomis!

Pagal Europos direktyvą dėl elektros ir elektroninės įrangos atliekų bei akumuliatorių ir baterijų ir panaudotų akumuliatorių ir baterijų bei jos pritaikymą nacionaliniams įstatymams, panaudota elektros ir elektroninė įranga, baterijos ir akumulatoriai turi būti surenkami atskirai ir pristatomi į atskirą buitinių atliekų surinkimo punktą, kuris veikia pagal aplinkos apsaugos taisyklės.

Tai rodo perbrauktas konteinerio ant ratukų simbolis, pateiktas ant įrangos.

Triukšmas

Įprastas triukšmo A lygis, nustatytas pagal EN62841-1:
Garso slėgio lygis (K=3 dB (A)): 69,5 dB (A)
Garso galios lygis (K=3 dB (A)): 78,1 dB (A)

PASTABA: Paskelbta (-os) triukšmo reikšmė (-ės) nustatyta (-os) pagal standartinį testavimo metodą ir jį galima naudoti vienam įrankiui palyginti su kitu.

PASTABA: Paskelbta (-os) triukšmo reikšmė (-ės) taip pat gali būti naudojama (-os) norint preliminariai įvertinti triukšmo poveikį.

⚠️ĮSPĖJIMAS: Dėvėkite ausų apsaugą.

⚠️ĮSPĖJIMAS: Faktiškai naudojant elektrinį įrankį, keliamo triukšmo dydis gali skirtis nuo paskelbtos (-ų) reikšmės (-ių), priklausomai nuo būdų, kuriais yra naudojamas šis įrankis, ir ypač nuo to, kokio tipo ruošinys apdirbamas.

⚠️ĮSPĖJIMAS: Siekdami apsaugoti operatorių, būtinai įvertinkite saugos priemones, remdamiesi vibracijos poveikio įvertinimu esant faktinėms naudojimo sąlygoms (atsižvelgdami į visas darbo ciklo dalis, pavyzdžiui, ne tik kiek laiko įrankis veikia, bet ir kiek kartų jis yra išjungiamas bei kai jis veikia be apkrovų).

Vibracija

Bendroji vibracijos vertė (trijų ašių vektorių suma) nustatyta pagal standartą EN62841-1

Rankena: 0,3 m/s²

Neapibrėžtis (K): 1,5 m/s²

PASTABA: Paskelbta (-os) vibracijos bendroji (-osios) reikšmė (-ės) nustatyta (-os) pagal standartinį testavimo metodą ir jį galima naudoti vienam įrankiui palyginti su kitu.

PASTABA: Paskelbta (-os) vibracijos bendroji (-osios) reikšmė (-ės) taip pat gali būti naudojama (-os) norint preliminariai įvertinti vibracijos poveikį.

⚠️ĮSPĖJIMAS: Faktiškai naudojant elektrinį įrankį, keliamos vibracijos dydis gali skirtis nuo paskelbtos (-ų) reikšmės (-ių), priklausomai nuo būdų, kuriais yra naudojamas šis įrankis, ir ypač nuo to, kokio tipo ruošinys apdirbamas.

⚠️ĮSPĖJIMAS: Siekdami apsaugoti operatorių, būtinai įvertinkite saugos priemones, remdamiesi vibracijos poveikio įvertinimu esant faktinėms naudojimo sąlygoms (atsižvelgdami į visas darbo ciklo dalis, pavyzdžiui, ne tik kiek laiko įrankis veikia, bet ir kiek kartų jis yra išjungiamas bei kai jis veikia be apkrovų).

Tinkamas akumulatorius ir įkroviklis

Akumulatorius	BL1815N / BL1820B / BL1830B / BL1840B / BL1850B / BL1860B
Įkroviklis	DC18RC / DC18RD / DC18RE / DC18SD / DC18SE / DC18SF / DC18SH / DC18WC

- Kai kurie pirmiau pateikti akumulatoriai ir įkrovikliai jūsų regione gali būti nesūlyomi.
- Norėdami įkrauti akumuliatorių, perskaitykite akumulatoriaus įkroviklio naudotojo vadovą.

⚠ SPĖJIMAS! Naudokite tik pirmiau nurodytus akumuliatorius ir įkroviklius. Naudojant kitus akumuliatorius ir įkroviklius, galima susižaloti ir (arba) sukelti gaisrą.

Svarbūs akumulatoriaus naudojimo saugos nurodymai

1. **Prieš pradėdami naudoti akumuliatorių, perskaitykite visus nurodymus ir atsargumo reikalaujančius ženklus, pateikiamus ant (1) akumuliatorių įkroviklio, (2) akumulatoriaus ir (3) gaminio, kuriame naudojamas akumulatorius.**
2. **Neardykite ir negadinkite akumulatoriaus.** Kitaip galite sukelti gaisrą, įranga gali perkaisti arba sprogti.
3. **Jei veikimo trukmė žymiai sumažėjo, nedelsdami nutraukite eksploataciją.** Kitaip kils perkaitimo pavojus, galite nudegti ir netgi gali kilti sprogimas.
4. **Jei į akis patektų elektrolito, išskalaukite jas švariu vandeniu ir nedelsdami kreipkitės į gydytoją.** Kitaip galite apakti.
5. **Nejunkite akumulatoriaus kontaktų trumpuoju jungimu.**
 - 1) **Nelieskite kontaktų jokių laidžiu daiktu.**
 - 2) **Venkite laikyti akumuliatorių talpykloje su kitais metaliniais daiktais, pvz., vinimis, monetomis ir pan.**
 - 3) **Saugokite akumuliatorių nuo vandens ir lietaus.**

Jei sujungsite akumuliatorių trumpuoju jungimu, gali gerokai padidėti srovės stipris, gaminys gali perkaisti, nudeginti ir netgi sugesti.
6. **Nelaikykite įrankio ir akumulatoriaus tose vietose, kuriose temperatūra gali pasiekti arba viršyti 50 °C (122 °F).**
7. **Nedeginkite akumulatoriaus, net jei jis rimtai pažeistas arba visiškai susidėvėjęs.** Ugnyje akumulatorius gali sprogti.
8. **Nekalkite akumulatoriaus vinimis, nepjaustykite jo, nespauskite, nemėtykite, nenumeskite ir nedaužykite kietais daiktais.** Tokiais veiksmais galite sukelti gaisrą, įranga gali perkaisti arba sprogti.
9. **Nenaudokite pažeisto akumulatoriaus.**

10. **Viduje esantiems ličio jonų akumulatoriams taikomi pavojingųjų krovinių teisės aktų reikalavimai.**

Komercinio transportavimo metu, pvz., kai gabena trečiosios šalys (vežėjai), reikia laikytis specialių reikalavimų, pateiktų ant pakuotės ir etiketėse.

Prieš ruošiant gaminio siuntą, reikia pasitarti su pavojingųjų krovinių gabenimo ekspertu. Taip pat laikykites nacionalinių reglamentų, kurie gali būti dar detalesni.

Užklijuokite juostele arba užmaskuokite atvirus kontaktus ir supakuokite akumuliatorių taip, kad jis nejudėtų pakuotėje.

11. **Akumulatorius utilizuojamas išimant jį iš įrankio ir nugabenant į atitinkamą surinkimo vietą. Šalinkite akumuliatorių laikydami švietinių reglamentų.**
12. **Akumulatorius naudokite tik su „Makita“ nurodytais gaminiais.** Jei bandysite įdėti akumuliatorių į nederančius gaminius, gali kilti gaisras, įranga gali perkaisti, sprogti arba gali ištekėti elektrolito.
13. **Jeį įrankis ilgai nenaudojamas, būtina iš jo išimti akumuliatorių.**
14. **Naudojamas akumulatorius gali įkaisti ir kurį laiką po naudojimo likti karštas, taigi, jis gali sukelti įprastų arba žemos temperatūros nudegimų. Su karštais akumulatoriais elkitės atsargiai.**
15. **Nelieskite įrankio kontakto iškart po naudojimo, kadangi jis gali būti pakankamai karštas ir nudeginti.**
16. **Neleiskite, kad skiedros, dulkės ar žemės užterštų akumulatoriaus kontaktus, patektų į kiaurymes ar griovelius.** Jis gali įkaisti, užsidegti, sprogti ir sutrikti įrankio arba akumulatoriaus veikimas, todėl gali atsirasti nudegimų ar sužalojimų.
17. **Jeį nėra nurodyta, kad įrankis tinkamas naudoti šalia aukštos įtampos elektros tiekimo linijų, nenaudokite akumulatoriaus šalia tokių linijų.** Dėl to gali sutrikti įrankio (akumulatoriaus) veikimas arba jie gali sugesti.

18. Laikykite akumuliatorių vaikams nepasiekiamoje vietoje.

IŠSAUGOKITE ŠIUOS NURODYMUS ATEIČIAI.

⚠️ATSARGIAI!

- Naudokite tik originalius „Makita“ akumuliatorius. Naudojant neoriginalius arba modifikuotus akumuliatorius, jie gali įtrūkti ir sukelti gaisrą, sužaloti arba apgadinti turtą. Be to, tokiu atveju anuliuojama „Makita“ įrankio ir įkroviklio garantija.

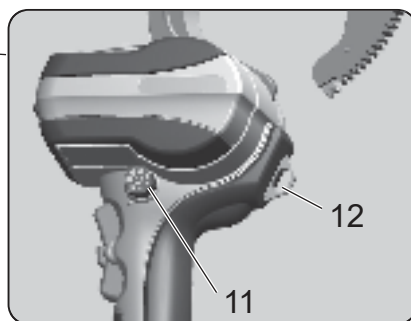
Patarimai, kaip maksimaliai pailginti akumulatoriaus eksploataciją

1. Akumuliatorių reikia įkrauti šiam iki galo neišsikrovus. Pastebėję, kad mažėja įrankio galia, būtinai sustabdykite įrankį ir įkraukite akumuliatorių.
2. Jokiu būdu neįkraukite visiškai įkrauto akumulatoriaus. Įkrovus per daug, trumpėja akumulatoriaus eksploatacija.
3. Įkraukite akumuliatorių kambaryje, kurio temperatūra yra intervale nuo 10 °C–40 °C (50 °F–104 °F). Prieš įkraudami karštą akumuliatorių, leiskite jam atvėsti.
4. Nenaudojamą akumuliatorių išimkite iš įrankio arba įkroviklio.
5. Jei akumulatoriaus ilgą laiką nenaudojote (ilgiau nei šešis mėnesius), įkraukite jį.

Pavadinimai ir priedai

DTC100

Akumuliatorinės kabelio kirpimo žirklys



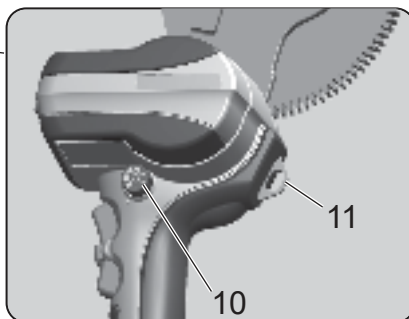
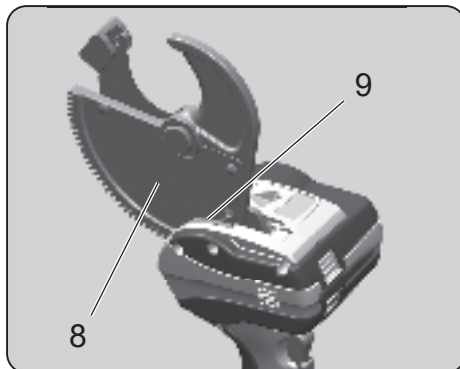
Nešimo krepšys



* Šis įrankis suprojektuotas „Makita“ 18 V ličio jonų akumuliatoriui.

1	Judamasis peilis	7	Pakabinimo dirželis
2	Fiksuotasis peilis	8	Krumpliaračio kreiptuvas (A)
3	Šviesos diodų darbinė lemputė	9	Krumpliaračio kreiptuvas (B)
4	Eigos pirmyn režimo jungiklis	10	Šepetėlis (dulkėms nuvalyti)
5	Jungiklio užraktas	11	Ratukas
6	Eigos atgal režimo jungiklis	12	Pakabinimo žiedas

Akumuliatorinės kabelio kirpimo žirklys



Nešimo krepšys



* Šis įrankis suprojektuotas „Makita“ 18 V ličio jonų akumuliatoriui.

1	Judamasis peilis	7	Pakabinimo dirželis
2	Fiksuotasis peilis	8	Judamojo peilio plokštelė
3	Šviesos diodų darbinė lemputė	9	Šepetėlis (dulkėms nuvalyti)
4	Eigos pirmyn režimo jungiklis	10	Ratukas
5	Jungiklio užraktas	11	Pakabinimo žiedas
6	Eigos atgal režimo jungiklis	—	—

Akumulatorius

Akumulatorius

- Įsigijus gaminį, dėl nepakankamai įkrauto akumulatoriaus gali būti aktyvuota akumulatoriaus apsaugos funkcija. (Būkite atsargūs, nes paspaudus jungiklį šis gaminys gali pradėti veikti.) Prieš pradėdami naudoti, tinkamai įkraukite akumuliatorių sparčiuoju įkrovikliu.
- Kai gaminio nenaudojate, sumontuokite akumulatoriaus dangtelį. Jis padės apsaugoti akumuliatorių nuo vandens ir dulkių.
- Ilgą laiką nenaudodami gaminio, laikykite jį su išimtu akumuliatoriumi.

Kaip padidinti akumulatoriaus eksploatacijos trukmę

- Pajutę, kad įrankio galia sumažėjo, nutraukite naudojimą ir įkraukite akumuliatorių.
- Neįkraukite visiškai įkrauto akumulatoriaus.
- Įkraukite akumuliatorių 10–40 °C aplinkos temperatūroje.
- Akumuliatoriui įkautus, pvz., iš karto po naudojimo, rekomenduojame jį įdėti į įkroviklį, kad atvėstų ir būtų įkrautas.
- Jei ličio jonų akumuliatorius nebus naudojamas ilgą laiką (bent 6 mėnesius), rekomenduojame jį įkrauti ir padėti sandėliuoti.

Akumuliatorių surinkimas

- Panaudoti akumuliatoriai surenkami perdirbti. Akumuliatorių nuneškite į parduotuvę, kurioje įsigijote gaminį, arba į „Makita“ prekybos atstovybę.



Li-ion

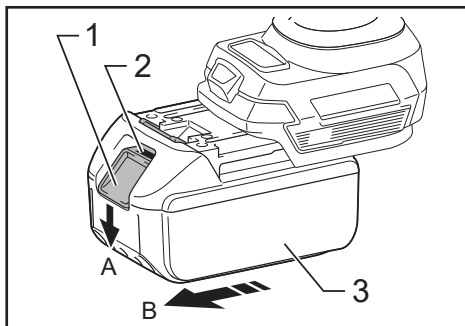
Atiduokite ličio jonų akumuliatorių perdirbti

Kaip prijungti ir atjungti akumuliatorių

⚠️ ĮSPĖJIMAS!

Tinkamai įdėkite akumuliatorių į gaminį. Jei mygtuko viršuje matoma raudona dalis, vadinasi, akumuliatorius nėra iki galo užfiksuotas. Tvirtai įdėkite akumuliatorių, kad nesimatytų raudonos dalies.

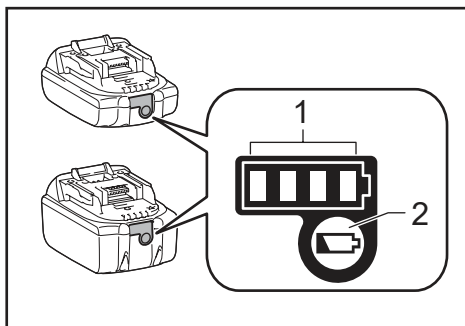
- Netinkamai įdėjus akumuliatorių, jis gali atsiskirti ir sukelti nelaimingą atsitikimą.
- Norėdami išimti akumuliatorių iš šio gaminio, (A) palaikykite nuspaudę akumuliatoriaus priekyje esantį mygtuką ir (B) pastumkite akumuliatorių, kad jį išimtumėte.
- Dėdami akumuliatorių, sulygiuokite akumuliatorių su gaminyje esančiais grioveliais ir įstumkite jį iki galo, atlikdami procedūrą atvirkštine tvarka. Jei šiuo metu mygtuko viršuje matoma raudona dalis, vadinasi, akumuliatorius nėra iki galo užfiksuotas. Tinkamai įdėkite akumuliatorių iki galo, kol nesimatys raudonos dalies.



► 1. Mygtukas 2. Raudona dalis 3. Akumuliatorius

Akumulatoriaus įkrovos lygio indikacija

Tik akumuliatoriams su indikatoriumi



► 1. Indikatorių lemputės 2. Patikros mygtukas

Paspauskite akumuliatoriaus patikros mygtuką, kad būtų parodytas akumuliatoriaus įkrovos lygis. Kelioms sekundėms įsijungia indikatorių lemputės.

Indikatorių lemputės			Įkrovos likutis
Šviečia	Nešviečia	Mirksi	
■ ■ ■ ■			Nuo 75 % iki 100 %
■ ■ ■ □			Nuo 50 % iki 75 %
■ ■ □ □			Nuo 25 % iki 50 %
■ □ □ □			Nuo 0 % iki 25 %
▬ □ □ □			Įkraukite akumuliatorių.
■ ■ □ □			Galbūt sutriko akumuliatoriaus veikimas.
□ □ ■ ■			

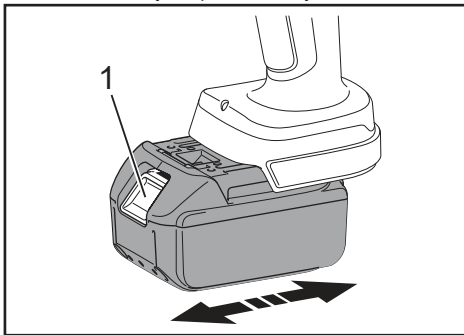
PASTABA. Atsižvelgiant į naudojimo sąlygas ir aplinkos temperatūrą, indikacija gali šiek tiek skirtis nuo faktinio įkrovos lygio.

PASTABA. Suveikus akumuliatoriaus apsaugos sistemai, ima mirksėti pirmoji (kairiausia) indikatorius lemputė.

Kaip naudotis įrankiu

Akumuliatoriaus prijungimas

1. Spausdami skląstį, ištraukite akumuliatorių. Norėdami pakeisti akumuliatorių, tvirtai įstumkite naują akumuliatorių į vietą.
2. Įstūmę akumuliatorių, patikrinkite, ar jis gerai pritvirtintas, švelniai jį patraukdami. Traukdami akumuliatorių, nespauskite skląščio.

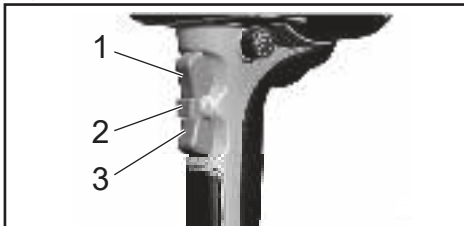


- 1. Skląstis

Jungiklio naudojimas

Saugos sumetimais įrankyje įdiegta dviejų veiksmų jungiklių sistema.

Norėdami aktyvuoti eigos pirmyn (kirpimo) ir eigos atgal (grįžimo) jungiklį, pirmiausia paspauskite jungiklio užraktą ir tada paspauskite eigos pirmyn / atgal režimo jungiklį.



- 1. Eigos pirmyn režimo jungiklis
2. Jungiklio užraktas
3. Eigos atgal režimo jungiklis

Šviesos diodų pagalbinė darbinė lemputė

Šiame įrankyje sumontuota šviesos diodų lemputė, kuri apšviečia kirpimo peilio perimetrą. Ji įsijungia, kai įjungiamas eigos pirmyn arba atgal jungiklis. Atleidus jungiklį, maždaug po 10 sekundžių ji užgesa.

⚠️ATSARGIAI!

- **Nežiūrėkite tiesiai į šviesos diodų lemputę. Ilgesnį laiką žiūrint į šviesos diodų lemputę, gali imti skaudėti akis.**

Senkančio akumuliatoriaus pavojaus signalas

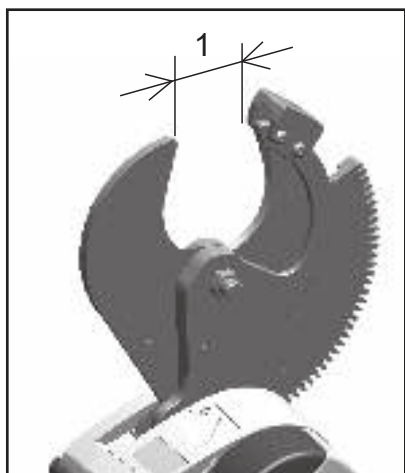
Kai akumuliatoriuje lieka mažai energijos, įjungus eigos pirmyn režimo jungiklį šviesos diodų lemputė sumirksi 5 kartus kaip pavojaus signalas. Įkraukite akumuliatorių arba pakeiskite jį atsarginiu.

Kirpimas

1. [DTC100]
Norėdami atidaryti judamąjį peilį, aktyvuokite jungiklį.
Eigos pirmyn ir atgal režimų jungikliais nustatykite judamąjį peilį į neutralią padėtį.



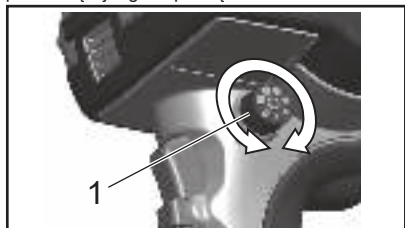
1. [DTC101]
Pakankamos angos užtikrinimas.
Užtikrinkite, kad anga būtų pakankamai didelė, jog būtų galima įstatyti kabelį. Jei anga bus per siaura, paspauskite eigos atgal režimo jungiklį, kad ji atsidarytų.



► 1. Atidarama

2. Automatinio atbulinės eigos režimo įjungimas arba išjungimas ratuku

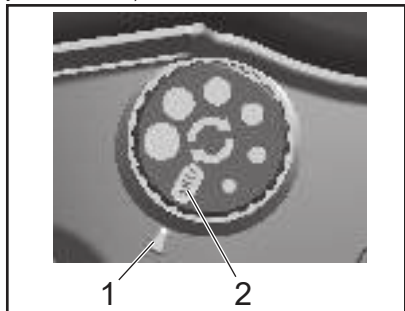
Norėdami įjungti automatinį atbulinės eigos režimą, pasukite ratuką į reikiamą padėtį. Norėdami išjungti, pasukite į išjungimo padėtį.



► 1. Ratukas

Automatinės atbulinės eigos funkcija

Kai įjungta automatinės atbulinės eigos funkcija, nukirpus kabelį variklis sustoja. Atleidus eigos pirmyn režimo jungiklį, judamasis peilis automatiškai grįžta atgal, kaip nustatyta ratuku. Angą galima reguliuoti 6 lygiais. (Atidarymo anga yra orientacinė.)



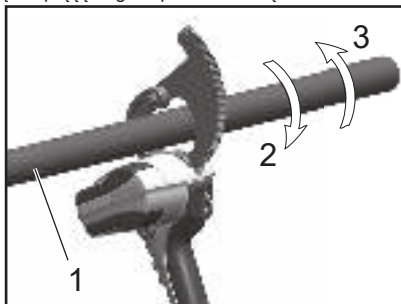
► 1. Atidarymo anga 2. Išjungta

⚠️ATSARGIAI!

- Automatinės atbulinės eigos režimas neįsijungia, jei eigos pirmyn režimo jungiklis atleidžiamas prieš baigiant kirpti.
- Automatinis atbulinės eigos režimas neįsijungia, kai kerpamas plonas elektros kabelis (60 mm² arba plonesnis).
- Atidarymo skersmuo gali skirtis, tai priklauso nuo likusios akumuliatoriaus įtampas.

3. [DTC100]

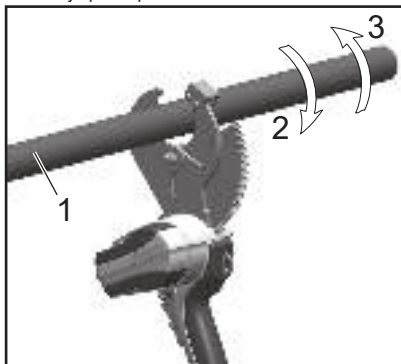
Elektros kabelio įkišimas į judamojo peilio angą
Uždėkite kirptiną kabelį ant fiksuotojo peilio ir uždarykite judamąjį peilį aplink kabelį. Pastumkite judamąjį peilį ranka, kad krumpliaračio dantys įsiterptų į įrenginio pavaros bloką.



► 1. Kabelis 2. Kirpimo sukimasis
3. Atvirkštinis sukimasis

3. [DTC101]

Elektros kabelio įkišimas į judamojo peilio angą
Įkiškite kirptiną kabelį į peilių angą ir uždėkite ant fiksuotojo peilio pusės.



► 1. Kabelis 2. Kirpimo sukimasis
3. Atvirkštinis sukimasis

4. Eigos pirmyn režimo įjungimas ir elektros kabelio kirpimas
Laikykite nuspaudę eigos pirmyn režimo jungiklį, kol kirpimas bus baigtas.
5. Nuolaužų šalinimas nukirpus.
Baigę kirpti, pašalinkite ant peilių esančias nuolaužas ir šiukšles.

⚠️ATSARGIAI!

• Ilgesnis darbas

Norėdami apsaugoti variklį, nustokite naudoti įrankį, kai sritis aplink atsargumo reikalaujančią etiketę tampa karšta. Norėdami toliau naudoti įrankį, padėkite jį 50 minučių vėsioje ir gerai vėdinamoje vietoje, kol atvės.

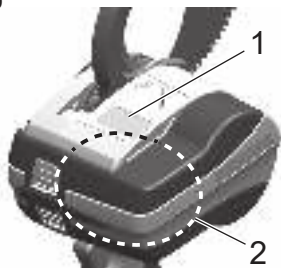
• Apsauga nuo virššrovio (perkrovų) gali įsijungti ir tada, kai įrankis veikia neviršydamas kirpimo pajėgumo.

Įrankio našumui įtakos turi darbinė temperatūra, kabelio ilgis, lenkimas ir kiti veiksniai.

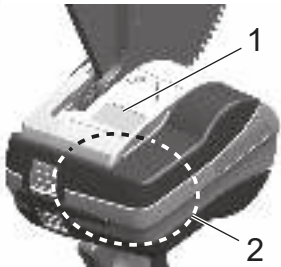
• Jei šviesos diodų lemputė mirkteli 6 arba daugiau kartų, tai reiškia, kad įvyko spausdintinės plokštės klaida.

Kreipkitės į savo įgaliotąjį atstovą.

DTC100



DTC101



- ▶ 1. Atsargumo reikalaujanti etiketė
- ▶ 2. Įspėjimo dėl aukštos temperatūros sritis

⚠️ATSARGIAI!

• DTC100 ir DTC101 skirti tik variniams ir aliumininiams kabeliams. Nenaudokite šių įrankių plieninėms, ACSR arba kitoms plieninėms medžiagoms apdoroti.

Apsaugos nuo virššrovio funkcija

Jei dėl specifikacijų neatitinkančio kabelio kirpimo pasiekiamas perkrovos srovės stipris, suveikia apsaugos nuo perkrovos funkcija ir variklis sustabdomas. Norėdami atkurti veikimą, atleiskite eigos pirmyn režimo jungiklį.

Keitimas atsarginėmis dalimis (DTC100)

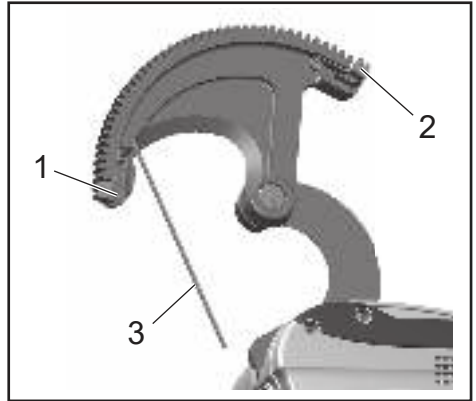
Norėdami pasikeisti krumpliaračio kreiptuvą, atlikite toliau nurodytą procedūrą.

⚠️ATSARGIAI!

- Prieš keisdami krumpliaračio kreiptuvą, būtinai išimkite akumuliatorių iš pagrindinio bloko.
- Jei krumpliaračio kreiptuvas pažeistas arba skleidžia neįprastą garsą, nedelsdami jį pakeiskite. Toliau naudojant gaminį su pažeistu krumpliaračio kreiptuvu, gali būti pažeisti vidiniai krumpliaračiai.

Krumpliaračio kreiptuvo keitimas

1. Krumpliaračio kreiptuvo nuėmimas
Šešiabriauniu raktu atsukite varžtą su šešiakampiu lizdu (M3 × 3) ir nuimkite krumpliaračio kreiptuvą.
2. Krumpliaračio kreiptuvo montavimas
Sumontuokite naują krumpliaračio kreiptuvą ir tvirtai priveržkite varžtą.



- ▶ 1. Krumpliaračio kreiptuvas (A)
- ▶ 2. Krumpliaračio kreiptuvas (B)
- ▶ 3. Šešiabriaunis raktas

Keitimas atsarginėmis dalimis (DTC101)

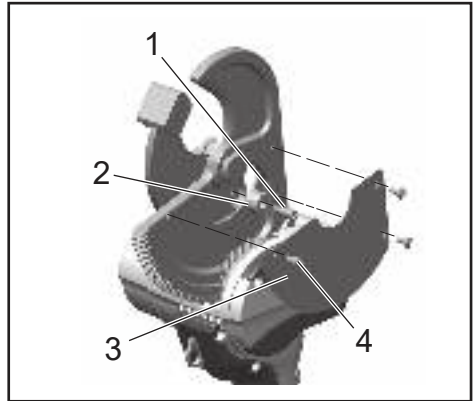
Norėdami patys pasikeisti stabdiklį, atlikite toliau nurodytą procedūrą.

⚠️ATSARGIAI!

- Prieš keisdami stabdiklį, būtinai išimkite akumuliatorių iš pagrindinio bloko.

Stabdiklio keitimas

1. Išsukite kryžinius varžtus apvalia galvute, plokštelę ir peties varžtą (37), tada nuimkite stabdiklį.
2. Prijunkite naują stabdiklį, prisukite peties varžtą, užtepkite ant varžto sriegių fiksavimo klijų ir priveržkite iki galo.
3. Prijunkite plokštelę ir įsukite varžtus apvalia galvute.

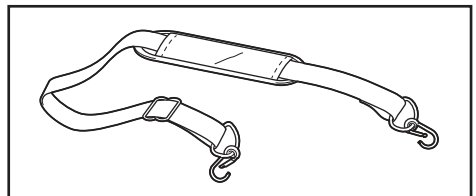


- ▶ 1. Peties varžtas (37)
- ▶ 2. Stabdiklis
- ▶ 3. Plokštelė
- ▶ 4. Kryžiniai varžtai apvalia galvute

Pasirinktiniai priedai

• Perpetinis diržas (161347-8)

Šis perpetinis diržas naudojamas prijungiant prie šio įrankio pakabinimo dirželio.



Techninė priežiūra (patikra)

- Atminkite: jei nevykdysite kasdienės techninės priežiūros (patikros), galite sukelti įrankio veikimo sutrikimą.
- Venkite laikyti įrankį drėgnoje aplinkoje, kad jis sklandžiai veiktų ir nerūdytų.
- Jei įrankis buvo pažeistas įprasto naudojimo metu (10 000 arba daugiau operacijų, 1 000 arba daugiau kirpimų), netęskite darbo pakeitę tik pažeistą dalį, nes jo eksploatacija bus baigta.
- Kai dervos detalė tampa nešvari, nuvalykite ją minkšta šluoste, sudrėkinta muilinu vandeniu.
- Kai akumuliatorius laikomas atskirai, būtinai sumontuokite ant kontaktų dangtelį (priedą), kad išvengtumėte trumpojo jungimo.
- Rekomenduojame maždaug kartą per dvejus metus pateikti įrankį gamintojui saugos patikrai atlikti (paslauga mokama). Išsamesnės informacijos teiraukitės įgaliotojo atstovo.

Techniniai duomenys

Akumuliatorinės kabelio kirpimo žirklys	DTC100	DTC101
Didžiausias kerpamas skersmuo	Tik iš spalvotųjų metalų (AL arba Cu) φ50 mm (Cu gija: φ30 mm / Al gija: φ38 mm)	
Elektrinis variklis	NS variklis	
Matmenys	117 (plotis) × 320 (aukštis) × 197 (ilgis) (mm)	117 (plotis) × 380 (aukštis) × 189 (ilgis) (mm)
Svoris	2,2 kg	2,9 kg

⚠️ATSARGIAI!

- DTC100 ir DTC101 skirti tik variniams ir aliumininiais kabeliams. Nenaudokite šių įrankių plieninėms, ACSR arba kitoms plieninėms medžiagoms apdoroti.

Atitikties deklaracijos

Tik Europos šalims

Atitikties deklaracijos įtrauktos į šio naudotojo vadovo A priedą.

EESTI: Algupärase kasutusjuhendi tõlge

⚠ HOIATUS! Lugege kõik selles kasutusjuhendis olevad juhised ja ohutusteave läbi ja tehke need endale selgeks. Mitteametlik kasutamine võib põhjustada raskeid vigastusi või surma.

- Täname, et ostsite meie aku-kaabliõikuri.
- Lugege see juhend enne seadme kasutamist täielikult ja tähelepanelikult läbi. Pärast kasutusjuhendi lugemist pange see kergesti ligipääsetavasse kohta hoiule.
- Kirjeldus
Mehaanilised lõikurid on akutoitel lõikurid tänapäeva tööstuses kasutatavate kaablite lõikamiseks.

Ohutusabinõud

⚠ HOIATUS! Lugege kõik ohutushoiatused ja juhised läbi. Hoiatuste ja juhiste eiramine võib põhjustada elektrilöögi, tulekahju ja/või rasked vigastused.

Hoidke kõik hoiatused ja juhised edaspidiseks alles.

⚠ HOIATUS! Toote väärkasutamisel võib kasutaja surma või raskelt vigastada saada.

1) Ohutus töökohal

- a) Hoidke tööpiirkond puhas ja hästi valgustatuna. Korratu ja pime töökoht soodustab õnnetuste teket.
- b) Ärge kasutage elektritööriista plahvatusohtlikus keskkonnas, näiteks süttivate vedelike, gaaside või tolmu korral. Elektritööriistad tekitavad sädemeid ja võivad süüdata tolmu või auru.
- c) Hoidke lapsed ja kõrvalised isikud elektritööriista kasutamise ajal eemal. Tähelepanu hajumine võib põhjustada juhitavuse kaotuse.

2) Elektriohutus

- a) Elektritööriist peab sobima pistikupesaga. Ärge modifitseerige pistikut mitte mingil viisil. Ärge kasutage maandatud elektritööriistadega adapterpistikuid. Modifitseerimata pistikud ja sobivad pistikupesad vähendavad elektrilöögiohtu.
- b) Vältige keha kokkupuudet maandatud pindadega, näiteks torude, radiaatorite, elektriliitide ja külmikutega. Kui teie keha on maandatud, on suurem elektrilöögioht.
- c) Ärge jätke elektritööriista vihma kätte ega märgadesse tingimustesse. Elektritööriista sisenev vesi suurendab elektrilöögiohtu.
- d) Ärge väärkasutage toitekaablit. Ärge kasutage toitekaablit elektritööriista kandmiseks, tõmbamiseks ega toitevõrgust lahutamiseks. Hoidke toitekaabel eemal kuumusest, õlist, teravatest servadest ja liikuvatest osadest. Kahjustunud või puntras toitekaablid suurendavad elektrilöögiohtu.
- e) Elektritööriista kasutamisel välistingimustes kasutage välistingimustesse sobivat pikenduskaablit. Välistingimustesse sobiva pikenduskaabli kasutamine vähendab elektrilöögiohtu.

- f) Kui elektritööriista kasutamine niiskes kohas on vältimatu, kasutage jääkvooluseadmega (RCD) kaitsitud toiteallikat. RCD kasutamine vähendab elektrilöögiohtu.

3) Isiklik ohutus

- a) Olge elektritööriista kasutamisel alati tähelepanelik, jälgige oma tegevust ning kasutage kainet mõistust. Ärge kasutage elektritööriista, kui olete väsinud või uimastite, alkoholi või ravimite mõju all. Üks hehk tähelepanematust elektritööriista kasutamisel võib põhjustada raske kehavigastuse.
- b) Kasutage isikukaitsevahendeid. Kandke alati silmade kaitset. Kaitsevahendid, nagu tolmumask, mittelibisevad turvajalatsid, kiiver ja kuulmiskaitsevahendid vähendavad asjakohastes tingimustes kasutamisel kehavigastusi.
- c) Ennetage juhuslikku käivitumist. Veenduge, et lüliti oleks enne tööriista ühendamist toiteallika ja/või akuga, tõstmist või kandmist väljalülitatud asendis. Elektritööriistade kandmisel sõrme lülitil hoides või sisselülitatud asendis lülitiga elektritööriista ühendamisel toiteallikaga on oht õnnetuse tekkeks.
- d) Eemaldage reguleerimisvõti või mutrivõti enne elektritööriista sisselülitamist. Elektritööriista pöörleva osa külge jäetud mutrivõti või võti võib põhjustada kehavigastusi.
- e) Ärge küünitage üle tööriista. Säilitage alati kindel jalgealune ja tasakaal. See võimaldab elektritööriista ootamatutes olukordades paremini kontrolli all hoida.
- f) Kandke sobivat riietust. Ärge kandke avaraid riideid ega ehteid. Hoidke juuksed, riided ja kindad liikuvatest osadest eemal. Avarad rõivad, ehted ja pikad juuksed võivad liikuvate osade vahele jääda.
- g) Kui seadmetel on tolmuarastusühendus ja kogumismahuti, veenduge, et need oleksid ühendatud ja et neid kasutatakse õigesti. Tolmukoguri kasutamine võib vähendada tolmuiga seotud ohtu.
- h) Ärge laske tööriista sagedasel kasutamisel tekkiva vilumuse tõttu endal hooletuks muutuda ning ärge eirake tööriista ohutuspõhimõtteid. Hooletu tegevus võib põhjustada mürdosa sekundi jooksul raske vigastuse.

4) Elektriööriista kasutamine ja hooldus

- a) Ärge rakendage elektriööriistal jõudu. Kasutage otstarbekohast elektriööriista. Õige elektriööriist teeb tööd paremini ja ohutumalt ettenähtud kiirusel.
- b) Ärge kasutage elektriööriista, kui see ei lülitu lülitist sisse ja välja. Elektriööriist, mida ei saa lülitist juhtida, on ohtlik ja tuleb korda teha.
- c) Enne elektriööriista reguleerimist, tarvikute vahetamist või hoiustamist lahutage pistik toiteallikast ja/või akupakk elektriööriistast. Sellised ennetavad ohutusmeetmed vähendavad elektriööriista juhusliku käivitumise ohtu.
- d) Hoidke seisvaid elektriööriistu lastele kättesaamatus kohas ning ärge laske elektriööriista kasutada inimestel, kes elektriööriista ei tunne või seda kasutusjuhendit pole lugenud. Elektriööriistad on väljaõppeta kasutajate käes ohtlikud.
- e) Hooldage elektriööriistu ja tarvikuid. Kontrollige liikuvate osade paigast nihkumist ja kinnijäämist, osade murdumist ja muid seisukordi, mis võivad elektriööriista tööd mõjutada. Kahjustumise korral laske elektriööriist enne kasutamist korda teha. Paljud õnnetused on põhjustatud halvasti hooldatud elektriööriistadest.
- f) Hoidke lõiketööriistad teravad ja puhtad. Õigesti hooldatud ja teravate lõikeservadega lõiketööriistad jäävad väiksema töönaosusega kinni ja neid on lihtsam juhtida.
- g) Kasutage elektriööriista, tarvikuid, lõiketeri jne kooskõlas selle kasutusjuhendiga, võttes arvesse tööringimusi ja tehtavat tööd. Elektriööriista kasutamine mitteettenähtud otstarbel võib põhjustada ohtliku olukorra.
- h) Hoidke käepidemed ja haardepinnad kuivad, puhtad ning õli- ja määrdevabad. Libedad käepidemed ja haardepinnad ei võimalda tööriista ootamatus olukorras ohutult käidelda ja juhtida.

5) Akutööriista kasutamine ja hooldus

- a) Laadige tööriista ainult laadijaga, mille tootja on ette näinud. Laadija, mis sobib üht tüüpi akupakile, võib põhjustada tuleohtu teise akupakiga.
- b) Kasutage elektriööriistu ainult ettenähtud akupakkidega. Muude akupakkide kasutamine võib põhjustada vigastuste ja tulekahju ohtu.
- c) Kui akupakki ei kasutata, hoidke seda eemal teistest metall-esemetest, näiteks kirjaklambrid, mündid, võtmed, naelad, kruvid ja muud väikesed metallobjektid, mis võivad klemmide vahel ühenduse luua. Akuklemmide lühistamine nende kokkupaneku teel võib põhjustada põletusi või tulekahju.
- d) Väärkasutamisel võib vedelik akust välja pritsida; vältige kokkupuudet. Juhusliku kokkupuute korral loputage veega. Kui vedelik satub silma, pöörduge lisaks arsti poole. Akust väljapritsev vedelik võib põhjustada ärritust või põletust.
- e) Ärge kasutage kahjustunud või modifitseeritud akupakki ega tööriista. Kahjustunud või modifitseeritud akud võivad käituda ettearvamatult, mis võib kaasa tuua tulekahju, plahvatuse või vigastusohu.

- f) Ärge visake akupakki ega tööriista tulle ega laske neil puutuda kokku äärmusliku temperatuuriga. Kokkupuude tulega või üle 130 °C temperatuuriga võib põhjustada plahvatuse.
- g) Järgige kõiki laadimisjuhiseid ning ärge laadige akupakki ega tööriista väljaspool juhistes toodud temperatuurivahemikku. Ebaõige laadimine või ettenähtud temperatuurivahemikust väljaspool laadimine võib akut kahjustada ja suurendada tuleohtu.

6) Teenindus

- a) Laske elektriööriista hooldada kvalifitseeritud remonditehnikul, kes tohib kasutada vaid identseid varuosi. See tagab elektriööriista ohutuse.
- b) Ärge hooldage kahjustunud akupakki. Akupakke tohib hooldada ainult tootja või volitatud teenusepakkujat.

Tööde tegemisel, kus kinnitusvahend võib puutuda kokku varjatud elektrikaablitega, hoidke tööriista isoleeritud haardepindadest. Pingestatud juhtmega kokku puutuvad kinnitusvahendid võivad viia elektriööriista katmata metallosad pingele alla ja anda operaatorile elektrilöögi.

Kasutage Makita originaalalulaadijat ja -akupakki.

- Kasutage selle tööriistaga originaalakupakki.
- Ärge laadige akupakki teise alulaadijaga. Vastasel juhul võib see põhjustada purunemise, mis omakorda võib põhjustada õnnetuse või vigastuse.

Laadige akupakki õigesti.

- Kasutage selle tootega kaasas oleva alulaadija ühendamiseks nimivõimsuse märgistusega toiteallikat.
- Ärge kasutage akupaki laadimiseks DC-toiteallikat ega mootoriga elektrigeneraatorit. Selle juhise eiramine võib tekitada liigset kuumust, mis võib kaasa tuua tulekahju.
- Kui keskkonnatemperatuur või akupaki või alulaadija temperatuur on alla 0 °C või üle 40 °C, ärge laadige akupakki. Muidu võib see põhjustada purunemise või tulekahju.
- Valige akupaki laadimiseks hea õhutusega koht.
- Ärge katke akupakki laadimise ajal riidega. Muidu võib see põhjustada purunemise või tulekahju.
- Pärast laadimist lahutage toitepistik. Muidu võib see põhjustada elektrilöögi või tulekahju.

Ärge suunake lõikurit kasutamise ajal inimeste poole.

- Muidu võite saada vigastada.

Ärge lühistage akupakil olevaid klemme.

- Kui akupakki hoiustatakse eraldi, pange lühise vältimiseks klemmidele klemmikate. Veenduge, et akuklemmides ei tekiks lühist teiste metallosade tõttu, näiteks kruvid, naelad jne.

Ärge visake akupakki tulle.

- Muidu võib see põhjustada purunemise või ohtliku materjali lekke.

Ärge kasutage pingestatud osadel.

- Tööriist ei ole isoleeritud. Kasutamine elektrifitseeritud kohtades võib põhjustada elektrilöögi.
- Ärge puudutage toitepistikuid ega akupakki märgade kätega. Muidu võite saada elektrilöögi.

Eemaldage akupakk tööriista korpusest järgmistes olukordades.

- Mittekasutamisel või remondi ajal
- Varuosade asendamisel
- Muudes ohtlikes olukordades

Nende hoiatuste järgimine võib põhjustada tööriista juhusliku sisselülitumise ja vigastuste tekitamise.

Tööriista juhuslik käivitamine.

- Jälgige, et teie sõrmed oleksid tööriista teisaldamise ajal käivitist eemal. Tööriista ootamatu käivitamine võib põhjustada vigastuse.

Kasutage ainult ettenähtud tarvikuid.

- Ärge kasutage muid tarvikuid peale selles kasutusjuhendis või meie kataloogis toodete. Muidu võib tekkida õnnetus või võite saada vigastada.

Kasutage kaitsevahendeid.

- Kasutage töö ajal kaitseprille. Tõlmuks keskkonnas kasutage kaitsemaski. Lõikamisel võivad väikesed osakesed laiali paiskuda ja vigastusi põhjustada.

Ärge vaadake LED-töötuld.

- See võib silmi kahjustada.

Arvestage töökeskkonnaga.

- Ärge kasutage tööriista, akulaadijat ega akupakki vihma käes ega märjas või niiskes kohas. Muidu võib see põhjustada elektrilöögi või suitsu tekke.
- Tehke töid piisavalt valgustatud kohas. Pimedas töötamine võib põhjustada õnnetuse.
- Ärge kasutage ega laadige akut süttivate vedelike või gaaside läheduses. Muidu võib see põhjustada plahvatused või tulekahju.

Hoidke töökoht alati puhas.

- Korratu töökoht ja tööpink võib põhjustada õnnetuse.

Hoidke lapsed tööriistast eemal.

- Ärge laske tööriista ja akulaadija kaablit puudutada kellelgi teisel peale operaatorite. Hoidke kõrvalised isikud töökohast eemal. Muidu võite saada vigastada.

Kui tööriista ei kasutata, hoidke seda nõuetekohaselt.

- Hoidke tööriista vähese niiskusega ja kõrgel asuvas kohas, et lapsed sellele ligi ei pääseks, või lukustatavas kohas. Muidu võib juhtuda õnnetus.
- Ärge hoidke tööriista või akupakki kohas, kus temperatuur võib tõusta 40 °C-ni või kõrgemale (metallkastis, suvel autos jne). Muidu võib akupakk kahjustada saada ning see võib omakorda põhjustada suitsu tekke või süttimist.

Ärge kasutage tööriista ebamõistlikul viisil.

- Ohutu ja tõhusa töö tagamiseks kasutage tööriista kooskõlas selle võimsusega. Tööriista kasutamine väljaspool selle võimsuspiire võib põhjustada õnnetuse.
- Ärge kasutage tööriista ebamõistlikul viisil, mille tõttu võib mootor lukustuda. Muidu võib see põhjustada suitsu või süttimise.

Kasutage otstarbele vastavat tööriista.

- Ärge kasutage tööriista mitteettenähtud otstarbele. Muidu võite saada vigastada.

Kasutage sobivaid tööriideid.

- Ärge kandke avaraid rõivaid ega aksessuaare, näiteks kaelakeed. Sellised esemed võivad liikuvatesse või pöörlevatesse või muudesse sarnastesse osadesse kinni jääda.
- Välistingimustes kasutamisel on soovitatav kanda kummikindaid ja mittelibisevaid turvajalatsid. Libedad kindad ja jalatsid võivad põhjustada vigastusi.
- Pikkade juuste korral katke juuksed mütsi või juuksekattega. Muidu võivad juuksed liikuvatesse või pöörlevatesse või muudesse sarnastesse osadesse kinni jääda.

Ärge kasutage tööriista ebaloomulikus asendis.

- Säilitage alati kindel jalgealune ja tasakaal. Muidu võite ümber kukkuda ja seetõttu vigastusi saada.

Püsige tähelepanelikkust nõlvudate tööde tegemisel keskendunud.

- Tööriista kasutamisel keskenduge käitlemismeetodile ja tööviisile, arvestage ümbritseva keskkonnaga ja tehke tööd hoolikalt. Muidu võib juhtuda õnnetus või võite saada vigastada.
- Ärge kasutage tööriista alkoholijoobes. Muidu võib juhtuda õnnetus või võite saada vigastada.
- Ärge kasutage tööriista, kui teie füüsiline seisund on halb. Muidu võib juhtuda õnnetus või võite saada vigastada.

Ärge käige akulaadija kaabliga hooletult ümber.

- Ärge kandke laadijat kaablist hoides ega tõmmake pistikut välja kaablist hoides.
- Hoidke kaabel eemal kuumusest, õlist ja teravatest servadest.
- Veenduge, et laadimiskeskonnas ei tekiks kaablile astumise või selle taha komistamise ohtu. Muidu võib tekkida elektrilöök või lühis, mis võib põhjustada süttimise.

Kasutage välistingimustes sobivat pikenduskaablit.

- Kui kasutate tööriista välistingimustes, kasutage kõva kummikestaga pikenduskaablit.

Hooldage tööriista hoolikalt.

- Varuosade asendamisel järgige kasutusjuhendit. Muidu võite saada vigastada.
- Kontrollige akulaadija kaablit regulaarselt. Kui kaabel on kahjustunud, laske see volitatud teeninduses korda teha. Muidu võib tekkida elektrilöök või lühis, mis võib põhjustada süttimise.
- Pikenduskaabli kasutamisel kontrollige kaablit regulaarselt. Kui kaabel on kahjustunud, asendage see uuega. Muidu võib tekkida elektrilöök või lühis, mis võib põhjustada süttimise.
- Hoidke pidet alati kuiva ja puhtana ning ärge laske sellel kokku puutuda õli ja määrdega. Muidu võite saada vigastada.

Kontrollige kahjustunud osi.

- Kontrollige enne kasutamist, et miski poleks kahjustunud. Veenduge, et tööriist töötaks korralikult ja et kõik komponendid toimiksid õigesti.

- Kontrollige liikuvate osade joondust, ühtlast tööd, osade murdumist, paigaldust ja muid tingimusi, mis võivad tööd mõjutada.
- Ärge kasutage kahjustunud toitepistikute või kaabliga akulaadijate ega akulaadijate, mis on maha kukkunud ja kahjustada saanud. Muidu võib tekkida elektrilöök või lühis, mis võib põhjustada süttimise.
Kahjustunud akulaadija tuleb lasta volitatud teeninduses korda teha või välja vahetada, välja arvatud juhul, kui selles kasutusjuhendis on öeldud teisiti. Laske vigased lülitid asendada volitatud teeninduses. Ärge kasutage elektritööriista, kui see ei lülitu lülitist sisse ja välja. Selline tööriist võib ebanormaalselt töötada, mis võib omakorda põhjustada vigastusi.

Laske parandada volitatud teeninduses.

- Ärge võtke põhiüksust, akulaadijat ega akupakki osadeks ega remontige või modifitseerige seda. Muidu võib tekkida süttimine või ebanormaalne töö, mis omakorda võib põhjustada vigastusi.
- Kui tööriist muutub liiga kuumaks või sellel ilmneb midagi ebatavalist, laske tööriista kontrollida või see parandada.
- See tööriist on konstrueeritud kooskõlas asjaomaste ohutusnõuetega. Ärge püüdke seda toodet modifitseerida.
- Laske tööriist parandada volitatud teeninduskeskuses. Parandustöid tohivad teha ainult kvalifitseeritud isikud, kasutades originaalvaruosi; muidu võib kasutajale tekkida arvestatav oht.

Ettevaatusabinõud aku-kaablilõikuri kasutamisel

- Järgige selle tööriista kasutamisel allolevaid juhiseid.

Ettevaatusabinõud seoses tööriistaga

- **Ärge löigake esemeid, mis ületavad maksimaalset löikevõimsust.**

Olge ettevaatlik, muidu võib tekkida kahju. (vt lk 260)

- **Ärge puudutage liikuvate või statsionaarsete löiketerade löikeserva.**

Muidu võite saada vigastada.

- **Ärge löigake pingestatud juhtmeid (elektrit juhtivaid elektrikaableid).**

- **Ärge laske tööriista kukkuda ega ülemääraste löökidega kokku puutuda.**

Sisemine konstruktsioon on täpselt toodetud, et tööriist oleks kompaktne ja kerge, mistõttu ei pruugi tööriist löögi saamisel korralikult toimida.

- **Ärge kasutage vihma käes.**

Muidu võib löiketera rooste minna ja löikeserv nüriks muutuda või kahjustada.

- **Ärge löigake 50 mm või väiksemaid liigpikkusi.**

CCP- ja teiste äärmuslikult lühikeste kaablite liigpikkuste lõikamine võib põhjustada kaabli jne sisemuse lõikamise.

- **Ärge rakendage jõudu vastu löikesuunda.**

Löigake materjale alati sirgelt. Muidu võib löikuri löiketera kahjustada saada.

- **Hoidke tööriista kindlalt.**

Muidu võite saada vigastada.

- **Kõrgel töötades jälgige, et kedagi ei oleks teie all.**

Muidu võib materjalide, seadme vms mahakukkumisel tekkida õnnetus.

- **Kontrollige enne kasutamist, et kõik oleks korras.**

Löikuril olevad mõrad või murdunud kohad võivad löikurit kahjustada ja vigastusi põhjustada.

- **Tehke kasutamise ajal pause.**

Pikaajaline katkestusteta lõikamine tekitab mootoris liigset kuumust, mille tõttu võib mootor ja akupakk üle kuumeneda ning kahjustusi põhjustada. Tehke kasutamise ajal aeg-ajalt pause.

- **Madal keskkonnatemperatuur (10 °C või vähem) võib põhjustada elektrikaabli kõvenemist, nii et seda on raske löigata isegi ettenähtud löikevõimsusega.**

- **Puhastage pärast iga kasutamist õhuga vms.**

Olge ettevaatlik, et löike- ja muud jäätmed ei satuks ava kaudu seadmesse (liikuva löiketera ajam).

- **Ärge löigake elektrikaableid, mille soone läbimõõt on 1 mm.**

Muidu võib löiketera elektrikaablitesse takerduda ja sinna kinni jääda.

Ettevaatusabinõud akupaki kasutamisel

- Ärge lühistage klemme.

- Ärge laske akupakil kokku puutuda vee, õli ja orgaaniliste lahustitega.

- Ärge võtke akupakki osadeks ega modifitseerige seda.

- Akupaki kõrvaldamisel ärge visake seda tulle ega olmejäätmete hulka. (Edendame ringlussevõttu.)

- Ärge visake akupakki ega laske sellel maha kukkuda.

- Ärge jätke akupakki pikaks ajaks kohtadesse, kus temperatuur on 40 °C või üle selle.

- Ärge lühistage akut klemmidele sattuva mustuse või tolmuaga, muidu võib tekkida rike. Kui klemm on roostes, ärge kasutage akupakki.

- Akupaki eluea pikendamiseks on sellel kaitsefunktsioon, mis peatab võimsuse väljalaske. Kui aku jääktase on madal, võib mootor seiskuda isegi siis, kui tööriista kasutamise ajal vajutada tööüliliit. Seda nähtust ei põhjusta siiski mitte rike, vaid kaitsefunktsioon. Sellisel juhul laadige kohe akut.

Ettevaatusabinõud seoses akulaadijaga

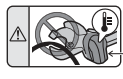
- Sellel akulaadijal on märgutuli (mitmevärviline LED), mis näitab aku laadimisolekut.

- Ärge lühistage akut sisestuspilusse sattuva mustuse või tolmuaga, muidu võib tekkida rike. Kui metallist klemm on roostes, ärge kasutage akulaadijat.

HOIATUSSÜMBOLID



Enne tööriista kasutamist lugege tähelepanelikult selles juhendis olevaid juhiseid.



Kuumushoiatuse piirkond

Mootori kaitsmiseks ärge kasutage tööriista, kui kuumushoiatuse piirkond läheb kuumaks. (vt lk 258)



Ärge puudutage kasutamise ajal.

Sümbolid



Ainult EL-i riikide puhul
Seadmes sisalduvate ohtlike osade tõttu võivad elektri- ja elektroonikaseadmete jätmed, akud ja patareid avaldada negatiivset mõju keskkonnale ja inimeste tervisele.

Elektri- ja elektroonikaseadmeid ega akusid ei tohi kõrvaldada koos olmejäätmetega!

Euroopa elektri- ja elektroonikaseadmete jätmete, akude ja patareide ning nende jätmete direktiivi ja riiklikku õigusesse ülevõtmise kohaselt tuleb elektri- ja elektroonikaseadmete, akude ja patareide jätmed koguda eraldi ning viia eraldiseisvasse olmejäätmete kogumispunkti, mis tegutseb kooskõlas keskkonnakaitse eeskirjadega.

Sellele osutab seadmele paigaldatud läbikriipsutatud ratastega prügikasti sümbol.

Müra

Tüüpiline A-korrigeeritud müratase, määratud standardi EN62841-1 kohaselt:

helirõhutase (K = 3 dB (A)): 69,5 dB (A)

helivõimsuse tase (K = 3 dB (A)): 78,1 dB (A)

MÄRKUS: Deklareeritud müra väärtust (väärtuseid) on mõõdetud kooskõlas standardse katsemeetodiga ning seda võib kasutada ühe seadme võrdlemiseks teisega.

MÄRKUS: Deklareeritud müra väärtust (väärtuseid) võib kasutada ka mürataseme esmaseks hindamiseks.

⚠HOIATUS: Kasutage kõrvakaitsmeid.

⚠HOIATUS: Müratase võib elektritööriista tegelikkuses kasutamise ajal erineda deklareeritud väärtus(t)est olenevalt tööriista kasutusviisidest ja eriti töödeldavast toorikust.

⚠HOIATUS: Rakendage operaatori kaitsmiseks kindlasti piisavaid ohutusabinõusid, mis põhinevad hinnangulisel müratasemel tegelikus töösituatsioonis (võttes arvesse tööperioodi kõiki osasid, näiteks korrad, kui seade lülitatakse välja ja seade töötab tühikäigul, lisaks tööajale).

Vibratsioon

Vibratsiooni koguväärtust (kolmeteljelise vektori summa) on määratud standardi EN62841-1 kohaselt.

Käepide: 0,3 m/s²

määramatus (K): 1,5 m/s²

MÄRKUS: Deklareeritud vibratsiooni koguväärtust (-väärtuseid) on mõõdetud kooskõlas standardse katsemeetodiga ning seda võib kasutada ühe seadme võrdlemiseks teisega.

MÄRKUS: Deklareeritud vibratsiooni koguväärtust (-väärtuseid) võib kasutada ka mürataseme esmaseks hindamiseks.

⚠HOIATUS: Vibratsioonitase võib elektritööriista tegelikkuses kasutamise ajal erineda deklareeritud väärtus(t)est olenevalt tööriista kasutusviisidest ja eriti töödeldavast toorikust.

⚠HOIATUS: Rakendage operaatori kaitsmiseks kindlasti piisavaid ohutusabinõusid, mis põhinevad hinnangulisel müratasemel tegelikus töösituatsioonis (võttes arvesse tööperioodi kõiki osasid, näiteks korrad, kui seade lülitatakse välja ja seade töötab tühikäigul, lisaks tööajale).

Sobiv akukassett ja laadija

Akukassett	BL1815N / BL1820B / BL1830B / BL1840B / BL1850B / BL1860B
Laadija	DC18RC / DC18RD / DC18RE / DC18SD / DC18SE / DC18SF / DC18SH / DC18WC

- Mõned eespool loetletud akukassetid ja laadijad ei pruugi sõltuvalt teie asukohast saadaval olla.
- Aku laadimiseks lugege akulaadija kasutusjuhendit.

⚠ HOIATUS! Kasutage ainult eespool loetletud akukasse ja laadijaid. Muude akukassetide ja laadijate kasutamine võib põhjustada vigastusi ja/või tulekahju.

Olulised ohutusjuhised akukasseti kohta

1. Enne akukasseti kasutamist lugege kõiki (1) akulaadijal, (2) akul ja (3) akut kasutaval tootel olevaid juhiseid ja hoiatussümboleid.
2. Ärge võtke akukassetti osadeks ega modifitseerige seda. Muidu võib tekkida tulekahju, liigne kuumus või plahvatus.
3. Kui tööaeg on muutunud liiga lühikeseks, lõpetage kohe kasutamine. See võib põhjustada ülekuumenemise, võimalike põletuste ja isegi plahvatuse ohu.
4. Kui elektrolüüt satub silma, loputage silmi puhta veega ja pöörduge kohe arsti poole. See võib põhjustada nägemiskaotuse.
5. Ärge lühistage akukassetti.
 - (1) Ärge puudutage klemme elektrit juhtiva materjaliga.
 - (2) Vältige akukasseti hoidmist nähtis koos teiste metalliesemetega, näiteks naeltega, müntide või muu sellisega.
 - (3) Ärge jätke akukassetti vee või vihma kätte. Akulühis võib põhjustada suure elektrivoolu, ülekuumenemise, põletusohu ja koguni rikkimineku.
6. Ärge hoidke ega kasutage tööriista ja akukassetti kohtades, kus temperatuur võib saavutada 50 °C (122 °F) või rohkem.
7. Ärge põletage akukassetti isegi siis, kui see on raskelt kahjustunud või täielikult kulunud. Akukassett võib tules plahvata.
8. Ärge lööge akukasseti sisse naelu, ärge lööge, visake, kukutage seda ega lööge selle vastu kõvu esemeid. Selline käitumine võib tekkida tulekahju, liigne kuumus või plahvatus.
9. Ärge kasutage kahjustunud akut.
10. Kaasasolevatele liitiumioonakudele kohalduvad ohtliku kauba nõuded.

Kommertstranspordi korral, nt kolmandate isikute või ekspedeerimisfirmade poolse transpordi korral tuleb järgida pakendil ja märgistusel olevaid erinõudeid.

Akude ettevalmistamiseks transpordi jaoks tuleb nõu pidada ohtliku materjali spetsialistiga. Järgige ka võimalikke rangemaid riigisiseseid nõudeid.

Teipige või katke kontaktid ja pakkige aku nii, et see ei saaks pakendis liukuda.

11. Akukasseti kõrvaldamisel eemaldage see tööriistast ja kõrvaldage see ohutus kohas. Järgige akude kõrvaldamise kohta kehtivaid kohalikke nõudeid.
12. Kasutage akusid üksnes Makita kirjeldatud toodetega. Akude paigaldamisel mitteühilduvatele toodetele võib tekkida tulekahju, liigne kuumus, plahvatus või elektrolüüdidile.
13. Kui tööriista ei kasutata pikemat aega, tuleb aku tööriistast eemaldada.
14. Kasutamise ajal ja pärast kasutamist võib akukassett muutuda nii kuumaks, et tekitab põletusi või madala temperatuuri põletusi. Põõrake vähelepanu kuumade akukassetide käitlemisele.
15. Ärge puudutage tööriista klemmi kohe pärast kasutamist, sest see võib olla nii kuum, et põhjustab põletusi.
16. Ärge laske purul, tolmul ega pinnasel akukasseti klemmidesse, avadesse ja soontesse sattuda. See võib põhjustada kuumenemist, süttida, lõhkeda ja tekitada tööriistal või akukassetil rikkeid, mis toob kaasa põletused või kehavigastused.
17. Kui tööriist ei toeta kasutamist kõrgepingekaablite läheduses, ärge kasutage akukassetti kõrgepingekaablite läheduses. Muidu võib tööriistas tekkida rike või tööriist või akukassett puruneda.
18. Hoidke akut lastest eemal.

HOIDKE SEE JUHEND ALLES.

⚠ ETTEVAATUST!

- Kasutage ainult Makita originaalakusid.
- Makita mitteoriginaalakude või modifitseeritud akude kasutamine võib põhjustada aku plahvatamise, mis võib põhjustada tulekahju, kehavigastusi ja kahjustusi. Samuti tühistab see Makita tööriista ja laadija garantii.

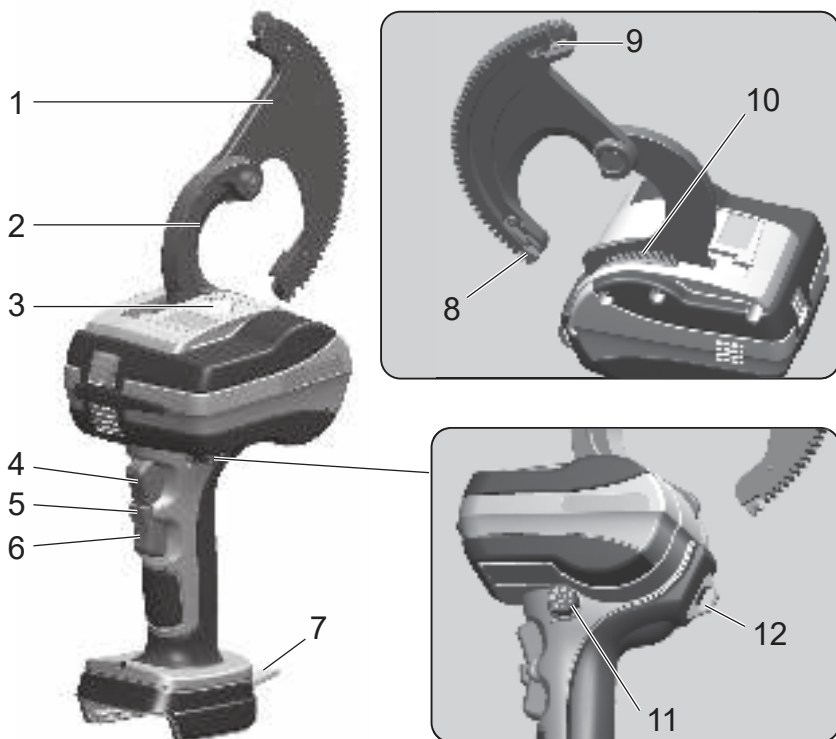
Nõuanded aku maksimaalse eluea saavutamiseks.

1. Laadige akukassetti enne, kui see täiesti tühjaks saab. Alati kui märkate, et tööriista võimsus väheneb, seisake tööriist ja laadige akukassetti.
2. Ärge laadige täis laetud akukassetti. Ülelaadimine lühendab aku kasutusiga.
3. Laadige akukassetti toatemperatuuril 10–40 °C (50–104 °F). Laske kuumal akukassetil enne laadimist maha jahtuda.
4. Kui akukassetti ei kasutata, eemaldage see tööriistast või laadijast.
5. Laadige akukassetti, kui te seda pikemat aega (üle kuue kuu) ei kasuta.

Nimed ja tarvikud

DTC100

Aku-kaabliõikur



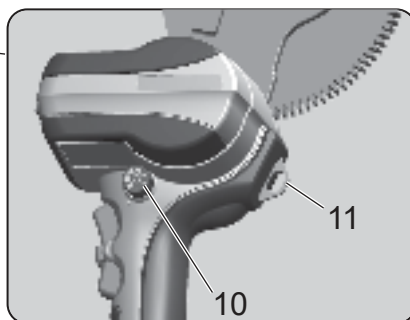
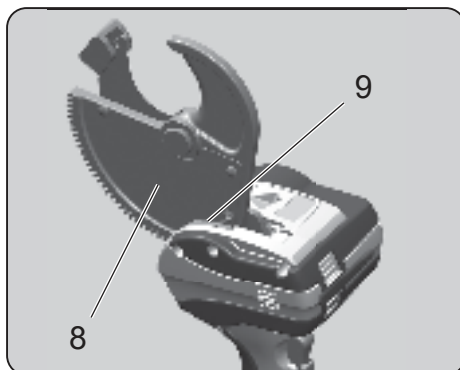
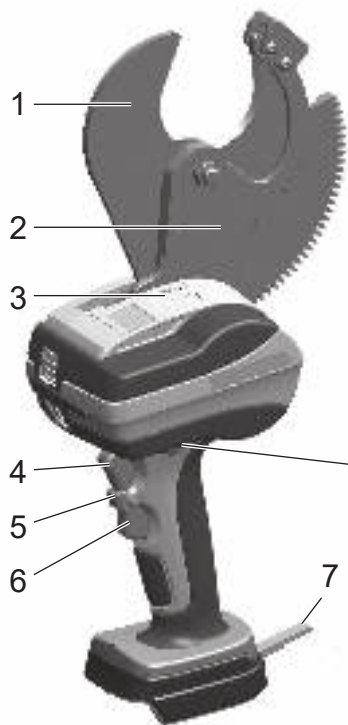
Kandekohver



* See tööriist on mõeldud Makita 18 V liitiumioonakule.

1	Liikuv lõiketera	7	Riputusaas
2	Statsionaarne lõiketera	8	Ülekandehuk (A)
3	LED-töötuli	9	Ülekandehuk (B)
4	Edasisuunalise režiimi lüliti	10	Hari (tolmu eemaldamiseks)
5	Lülitilukk	11	Valitsanupp
6	Tagasisuunalise režiimi lüliti	12	Riputusrõngas

Aku-kaabliõikur



Kandekohver



* See tööriist on mõeldud Makita 18 V liitiumioonakule.

1	Liikuv lõiketera	7	Riputusaas
2	Statsionaarne lõiketera	8	Liikuva lõiketera plaat
3	LED-töötuli	9	Hari (tolmu eemaldamiseks)
4	Edasisuunalise režiimi lüliti	10	Valitsanupp
5	Lülitilukk	11	Riputusrõngas
6	Tagasisuunalise režiimi lüliti	—	—

Aku

Aku

- Ostu hetkel võib akukaitsesfunktsioon olla aktiveeritud, kuna akut ei laeta piisavalt. (Olge ettevaatlik, sest toode võib lüüdi vajutamisel tööle hakata.) Enne kasutamist laadige akut õigesti kiirlaadijaga.
- Kui te toodet ei kasuta, kinnitage akukate. See kaitsneb akut vee ja tolmuga eest.
- Kui te ei kasuta toodet pikka aega, hoiustage seda eemaldatud akuga.

Aku eluea pikendamiseks

- Kui tunnete, et tööriista jõud on vähenenud, lõpetage kasutamine ja laadige akut.
- Ärge laadige akut, kui see on täiesti tühjak saanud.
- Laadige akut keskkonnamtemperatuuri vahemikus 10–40 °C.
- Kui aku muutub kohe pärast kasutamist kuumaks, soovitage asetada selle laadijasse jahtuma ja laadima.
- Kui liitumioonakut ei kasutata pikka aega (vähemalt 6 kuud), soovitage akut laadida ja seejärel hoiule panna.

Akude jäätmekäitus

- Kasutatud akud kogutakse ringlussevõtuks kokku. Viige aku kauplusesse, kust te toote ostsite, või Makita müügiesindusse.



Li-ion

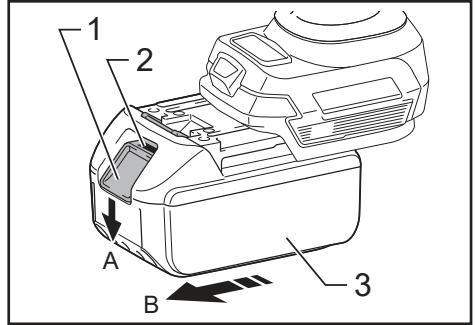
Liitumioonaku
ringlussevõtt

Aku paigaldamine ja eemaldamine

▲HOIATUS!

Sisestage aku korralikult tootesse. Kui nupu kohal olev punane osa on näha, ei ole aku täiesti kohal. Sisestage aku kindlalt, kuni punast osa pole näha.

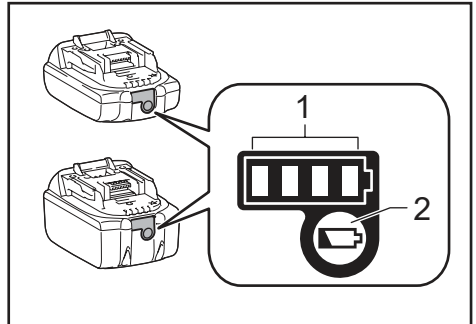
- Kui akut ei sisestata piisavalt, võib see lahti tulla ja õnnetuse põhjustada.
- Aku eemaldamiseks tootest A. hoidke aku esiküljel olevat nuppu all ja B. lükake aku välja.
- Aku paigaldamisel joondage aku tootes olevate soontega ja sisestage seejärel täielikult vastupidises järjekorras. Kui nupu kohal olev punane osa on sellel ajal näha, ei ole aku täiesti kohal. Sisestage aku täielikult, kuni punast osa pole näha.



► 1. Nupp 2. Punane osa 3. Aku

Aku jääkmahutavuse märguanne

AINULT näidikuga akukasettidel



► 1. Märgutuled 2. Kontrollnupp

Aku jääkmahutavuse vaatamiseks vajutage akukasetti olevat kontrollnuppu. Märgutuled süttivad mõneks sekundiks.

Märgutuled			Jääkmahutavus
Pöleb	Väljas	Vilgub	
■ ■ ■ ■			75% kuni 100%
■ ■ ■ □			50% kuni 75%
■ ■ □ □			25% kuni 50%
■ □ □ □			0% kuni 25%
▬ □ □ □			Laadige akut.
■ ■ □ □			Akus võib olla rike.
□ □ ■ ■			

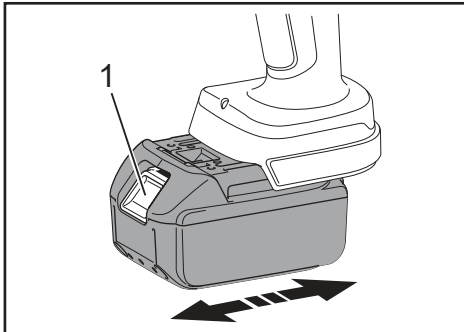
MÄRKUS. Sõltuvalt kasutustingimustest ja keskkonnatemperatuurist võib näidik tegelikust mahutavusest veidi erineda.

MÄRKUS. Kui akukaitseüsteem töötab, siis esimene (kõige vasakpoolsem) märgutuli vilgub.

Tööriista kasutamine

Akupaki paigaldamine

1. Vajutage riivi ja tõmmake samal ajal akupakk välja. Akupaki tagasipanekuks vajutage uus pakk kindlalt kohale.
2. Pärast akupaki sisselükkamist kontrollige kerge tõmbamisega, kas see on kindlalt kohal. Ärge vajutage aku tõmbamise ajal riivi.

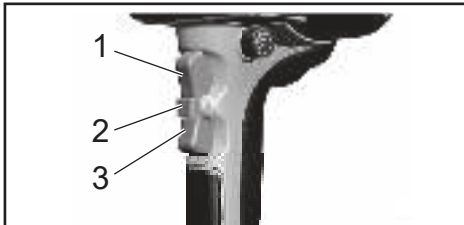


- 1. Riiv

Lülitamine

Ohutuse huvides on tööriistal kahetoimeline lülitisüsteem.

Edasisuunalise režiimi (lõikamine) ja tagasisuunalise režiimi (tagastamine) lüliti aktiveerimiseks vajutate kõigepealt lülitilukku ja seejärel edasi-/tagasisuunalise režiimi lüliti.



- 1. Edasisuunalise režiimi lüliti 2. Lülitilukk
3. Tagasisuunalise režiimi lüliti

LED-töölamp

Sellel tööriistal on LED-lamp, mis valgustab lõikuri lõiketera ümbrust. See süttib, kui kas edasi- või tagasisuunaline lüliti on sees, ning kustub umbes 10 sekundit pärast lüliti lahtilaskmist.

⚠ETTEVAATUST!

- Ärge vaadake otse LED-tuld. LED-tule vaatamine pikka aega võib silmi kahjustada.

Tühja aku alarm

Kui aku jääkmahutavus on väike, annab LED-tuli sellest 5 vilkumisega märku, kui edasisuunalise režiimi lüliti on sisse lülitatud. Laadige akut või vahetage see välja.

Lõikamine

1. [DTC100]

Liikuva liikuv lõiketera avamiseks aktiveerige lüliti.

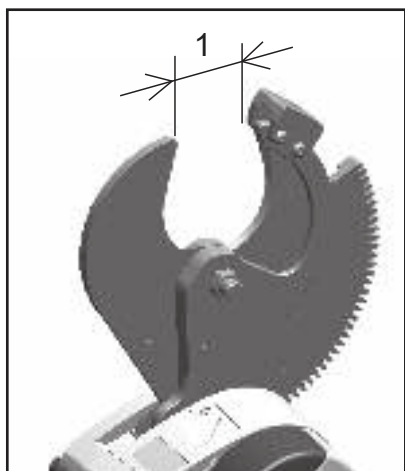
Edasi- ja tagasisuunalise režiimi lülititega saab seada liikuva lõiketera neutraalsesse asendisse.



1. [DTC101]

Veenduge, et ava on piisav.

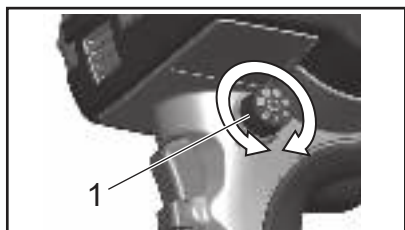
Veenduge, et ava oleks kaabli seadmiseks piisavalt suur. Kui ava on liiga väike, vajutage selle avamiseks tagasisuunalise režiimi lüliti.



► 1. Ava

2. Lubage või keelake automaatne tagastumine valitsanupuga.

Automaatse tagastumise lubamiseks viige valits soovitud asendisse või keelamiseks väljalülitatud asendisse.

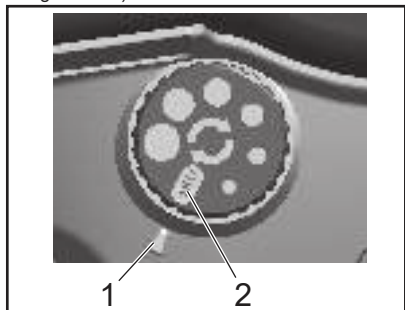


► 1. Valitsanupp

Automaatse tagastumise funktsioon

Kui automaatne tagastumine on lubatud, pidurdab mootor pärast kaabli lõikamist. Kui edasisuunalise režiimi lüliti lahti lasta, läheb liikuv lõiketera automaatselt tagasi nii, nagu valitsanupuga on seadistatud.

Ava saab reguleerida 6 taseme vahel. (Ava suurus on ligikaudne.)



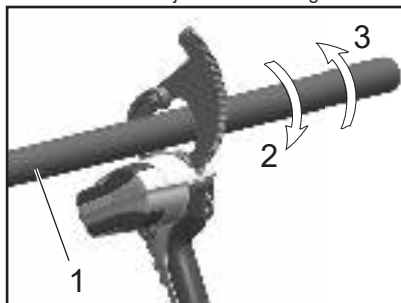
► 1. Ava suurus 2. Väljas

⚠ ETTEVAATUST!

- Automaatne tagastumine ei aktiveeru, kui edasisuunalise režiimi lüliti lastakse enne lõikamise lõpuleviimist lahti.
- Automaatne tagastumine ei aktiveeru elektrikaablitega, mille ristlõige on 60 mm² või alla selle.
- Ava läbimõõt võib sõltuvalt aku jääkmahutavusest erineda.

3. [DTC100]
Elektrikaabli sisestamine liikuva liikuv lõiketera avasse

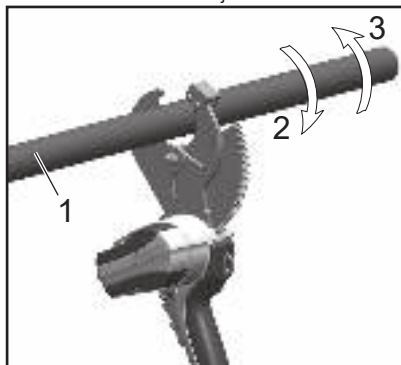
Asetage lõigatav kaabel statsionaarsele lõiketerale ja sulgege liikuv lõiketera kaabli ümber. Juhtige liikuvat lõiketera käega, nii et ülekandehambad haakuvad seadme ajamimehhanismiga.



► 1. Kaabel 2. Lõike pöörlemine
3. Tagurpidi pöörlemine

3. [DTC101]
Elektrikaabli sisestamine liikuva liikuv lõiketera avasse

Asetage lõigatav kaabel lõiketera avale ja statsionaarse lõiketera küljele.



► 1. Kaabel 2. Lõike pöörlemine
3. Tagurpidi pöörlemine

4. Edasisuunalise režiimi lüliti kasutamine ja elektrikaabli lõikamine
Hoidke edasisuunalise režiimi lüliti alla, kuni lõikamine on valmis.
5. Prahi eemaldamine pärast lõikamist.
Pärast lõikamise lõpetamist eemaldage lõiketeral olevad jäägid ja praht.

⚠ETTEVAATUST!

• Pikaajaline kasutamine

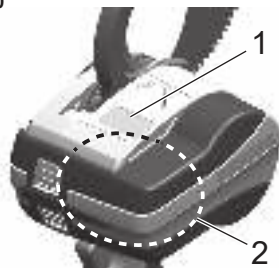
Mootori kaitsmiseks lõpetage tööriista kasutamine, kui hoiatusmärgistuse ümber olev ala läheb kuumaks. Enne tööriista edasikasutamist asetage see 50 minutiks jahedasse ja hästi õhutatud kohta jahtuma.

• Ülevoolu/ülekoormusekaitse võib aktiveeruda ka siis, kui tööriista kasutatakse löikevõimsuse piirides.

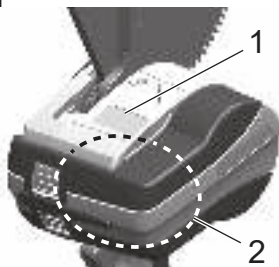
Töötemperatuur, kaabli pikkus ja paindumine ning muud tegurid mõjutavad tööriista tööomadusi.

• Kui LED-tuli vilgub 6 või rohkem korda, annab see märku trükkplaadi veast. Pöörduge edasimüüja poole.

DTC100



DTC101



► 1. Hoiatusmärgistus 2. Kuumushoiatuse piirkond

⚠ETTEVAATUST!

- DTC100 ja DTC101 on mõeldud ainult vask- ja alumiiniumkaablitele. Ärge kasutage neid tööriistu terase, ACSR-i ega muude terasmaterjalide jaoks.

Ülekoormusvoolukaitse funktsioon

Kui ülekoormusvool tekib nõuetele mittevastava kaabli lõikamisel, aktiveerub ülekoormusvoolukaitse funktsioon ja seiskab mootori. Jätkamiseks laske edasisuunalise režiimi üliti lahti.

Varuosade asendamine (DTC100)

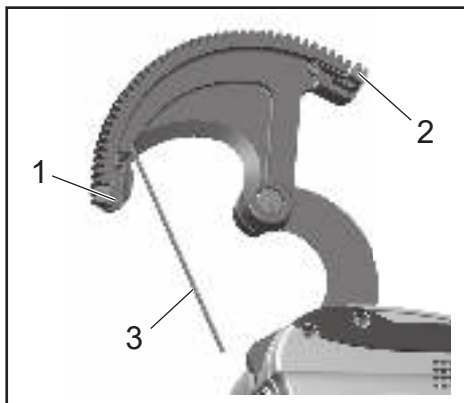
Ülekandehukiku ise asendamiseks järgige allolevat protseduuri.

⚠ETTEVAATUST!

- Eemaldage kindlasti akupakk põhiüksuselt, enne kui ülekandehukiku asendate.
- Kui ülekandehukik on kahjustunud või tekitab ebataavalist müra, vahetage see kohe välja. Kui toodet kasutatakse kahjustunud ülekandehukikuga edasi, võib see kahjustada sisemisi ülekandeid.

Ülekandehukiku asendamine

1. Ülekandehukiku eemaldamine
Keerake kuuskantpolt (M3 × 3) kuuskantvõtmega välja ja eemaldage ülekandehukik.
2. Ülekandehukiku paigaldamine
Paigaldage uus ülekandehukik ja keerake polt tugevalt kinni.



► 1. Ülekandehukik (A) 2. Ülekandehukik (B)
3. Kuuskantvõti

Varuosade asendamine (DTC101)

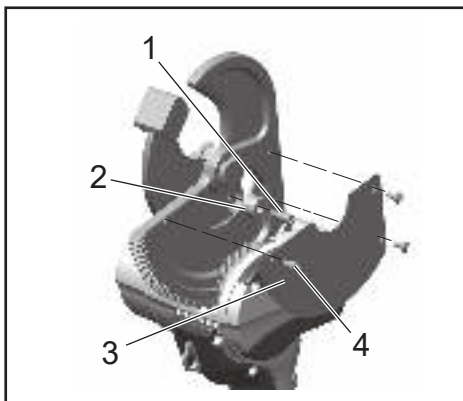
Stopperi ise asendamiseks järgige allolevat protseduuri.

⚠ETTEVAATUST!

- Eemaldage kindlasti akupakk põhiüksuselt, enne kui stopperi asendate.

Stopperi asendamine

1. Eemaldage ümara peaga ristpeakruvid, plaat ja kraega polt (37) ning võtke seejärel stopper ära.
2. Kinnitage uus stopper kraega poldiga, kandke keermele keermeliimi ja seejärel keerake täiesti kinni.
3. Kinnitage plaat ja keerake ümarpeaga ristpeakruvid sisse.

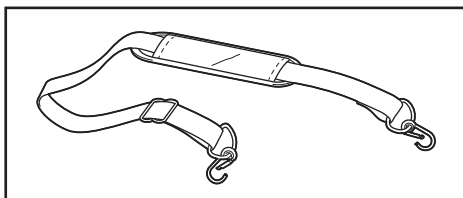


- 1. Kraega polt (37) 2. Stopper 3. Plaat
4. Ümarpeaga ristpeakruvid

Lisavarustus

• Õlarihm (161347-8)

Õlarihma kasutatakse tööriista riputusrihma ühendamisega.



Hooldus/kontroll

- Igapäevase hoolduse/kontrolli tegemata jätmine võib põhjustada tööriista tõrke.
- Vältige tööriista hoiustamist niiskes keskkonnas, muidu ei pruugi tööriist laitmatult töötada ja tekkida võib rooste.
- Kui tööriist saab tavapärase kasutamise käigus (10 000 või rohkem kasutust, 1 000 või rohkem löiget) kahjustada, ärge kasutage tööriista edasi, asendades kahjustunud osa, sest tööriista eluiga on läbi.
- Kui vaigust osa määrdub, pühkige see seebivees niisutatud pehme lapiga puhtaks.
- Kui akupakki hoiustatakse eraldi, pange lühise vältimiseks klemmidele tarvikuna kaasas olev klemmikate.
- Ohutuse kontrollimiseks soovitame viia tööriista umbes iga kahe aasta järel tootja juurde (tasuline teenus). Täpsemat infot saate edasimüüjalt.

Tehnilised andmed

Aku-kaablilõikur	DTC100	DTC101
Maksimaalne lõigatav läbimõõt	Ainult mitteraudmaterjalid (AL või Cu)	
	φ50 mm (Cu-traat φ30 mm / Al-traat φ38 mm)	
Elektrimootor	DC-mootor	
Mõõtmed	117 (S) × 320 (K) × 197 (L) (mm)	117 (S) × 380 (K) × 189 (L) (mm)
Kaal	2,2 kg	2,9 kg

⚠ETTEVAATUST!

- DTC100 ja DTC101 on mõeldud ainult vask- ja alumiiniumkaablitele. Ärge kasutage neid tööriistu terase, ACSR-i ega muude terasmaterjalide jaoks.

Vastavusdeklaratsioon

Ainult Euroopa riigid

Vastavusdeklaratsioonid on selle kasutusjuhendi lisan A.

繁體中文：原始說明

▲警告：請閱讀並理解本操作指南和手冊中的所有指示和安全資訊。使用在非原用途可能導致人員受重傷或死亡。

- 感謝您購買我們的充電式電纜剪。
- 使用本設備前，請詳讀本使用手冊。閱讀本使用手冊後，請存放在容易取得處。
- 描述
本機械剪是針對現今業界剪切電纜需求所設計的電池供電式剪刀。

安全預防事項

▲警告：請閱讀所有安全警告和指示。未遵照警告和說明可能導致觸電、起火和/或人員受重傷。

存放所有警告和指示供將來參考。

▲警告：誤用本產品可能導致使用者死亡或受重傷。

1) 工作區安全

- a) 保持工作區乾淨和照明良好。雜亂或黑暗區域可能導致意外。
- b) 不可在會產生爆炸的環境中使用充電工具，例如有易燃液體、瓦斯或粉塵處。充電工具會產生火花，可能引燃粉塵或煙霧。
- c) 操作電動工具時，請遠離兒童和旁人。注意力不集中可能導致您失去對工具的控制。

2) 電氣安全

- a) 電動工具插頭必須和插座相符。不可以任何方式改裝插頭。不可對接地的電動工具使用任何轉換插頭。未經改裝的插頭與符合的插座可減少觸電的風險。
- b) 避免身體接觸到接地的表面，例如管路、散熱器、爐子和冰箱。您的身體接地會增加觸電的風險。
- c) 不可將電動工具暴露在下雨或潮濕的環境中。水進入電動工具中將會增加觸電的風險。
- d) 不可濫用電線。切勿使用電線攜帶、拉扯或拔下電動工具的插頭。
保持電線遠離熱、油、銳利邊緣或可移動零件。損壞或纏繞的電線會增加觸電的風險。

- e) 在室外操作電動工具時，請使用適合室外使用的延長線。使用適合室外使用的電線會減少觸電的風險。
- f) 如果在潮濕位置中操作電動工具不可避免，請使用殘餘電流裝置 (RCD) 保護充電。使用 RCD 會減少觸電的風險。

3) 個人安全

- a) 保持警覺，注意您正在做的事，並使用常識操作電動工具。
在疲勞或受到毒品、酒精或藥物的影響時，不可使用電動工具。操作電動工具時，一瞬間的疏忽可能導致人員受重傷。
- b) 請使用個人防護配備。務必戴上護目鏡。在適當情況下使用防塵面具、防滑安全鞋、安全帽或耳罩等防護配備可減少人員受傷的風險。
- c) 防止意外啟動。連接電源和/或電池、拿起或攜帶工具前，確保開關在關閉位置。當您的手指在開關上或開關已開啟的通電電動工具上時，此時攜帶電動工具可能造成意外。
- d) 開啟電動工具電源前，取下任何調整扳手。將扳手留在電動工具的旋轉零件中可能導致人員受傷。
- e) 手不要過度伸展。隨時保持適當的站姿和平衡。這樣可以在意外情況下更好的控制電動工具。
- f) 穿著適當服裝。不可穿戴寬鬆的服裝或飾品。保持您的頭髮、衣服和手套遠離可移動零件。寬鬆的服裝、飾品或長髮可能在可移動零件中卡住。
- g) 如果提供裝置用於連接除塵和集塵設備，請確保已連接和正確使用。使用集塵設備可以減少與灰塵有關的危險。

- h) 不可因經常使用帶來的熟悉度導致您感到自滿並忽略工具安全原則。疏忽的動作可能在一轉眼之間造成嚴重的傷害。

4) 電動工具的使用和保養

- a) 不可對電動工具施加過大力量。在您的應用中使用正確的電動工具。正確的電動工具可以運用其設計的額定值更好與更安全的執行工作。
- b) 在開關無法控制電動工具的電源開啟或關閉時，不可使用電動工具。無法使用開關控制的任何電動工具都是危險的且必須修復。
- c) 進行任何調整、更換配件或存放電動工具前，從電源上拔下插頭和/或卸下電動工具的電池。此類預防安全措施可減少意外啟動電動工具的風險。
- d) 將閒置的電動工具存放在兒童無法取得處，而且不允許不熟悉電動工具或這些指示的人員操作電動工具。電動工具在未經過訓練的人員手中是危險的。
- e) 維護電動工具和配件。檢查可移動零件是否有對準或扣緊、零件是否破損和任何其他可能影響電動工具操作的情況。如果損壞，使用前請修復電動工具。很多意外都是由維護不良的電動工具所造成。
- f) 保持剪切工具的銳利和清潔。正確的保持剪切工具的鋒利，比較不會卡住和容易受控制。
- g) 請依指示使用電動工具、配件和起子頭，考量工作條件和需要執行的工作。
將電動工具使用在和原用途不同的操作中可能造成危險的情況。
- h) 保持握把和抓握表面乾燥、清潔和沒有油脂。滑動的握把和抓握表面無法在意外的情況中提供工具的安全處理和控制。

5) 充電工具的使用和保養

- a) 僅限使用製造商指定的充電器進行充電。將適用一種類型的電池的充電器使用在其他電池上可能有導致起火的風險。
- b) 使用電動工具時，僅限使用指定的電池。使用其他電池可能有導致人員受傷和起火的風險。
- c) 電池在不使用時，請放在遠離金屬物體的位置，例如迴紋針、硬幣、鑰匙、釘子、螺絲或其他小金屬物體，以防一端與另一端連接。電池端子短路可能導致燃燒或起火。

- d) 在濫用的情況下，電池可能會噴出液體，此時請避免接觸。如果意外接觸，請用水沖洗。如果液體沾到眼睛，立刻就醫。

- 電池噴出的液體可能造成刺激或燒傷。
- e) 不可使用損壞或經過改裝的電池或工具。損壞或經過改裝的電池可能出現意外的情況，有導致起火、爆炸或人員受傷的風險。
- f) 不可將電池或工具暴露在火焰或高溫下。暴露在火焰或 130° C 以上的高溫下可能導致爆炸。
- g) 請遵照所有充電指示，且不可在使用手冊指定的溫度範圍外將電池或工具充電。以不當的方式或在指定範圍以外的溫度下充電可能損壞電池並增加起火的風險。

6) 保養

- a) 將您的電動工具交由僅使用相同更換零件的合格維修人員進行保養。這樣做可以確保電動工具的安全。
- b) 切勿保養損壞的電池。僅限由製造商或獲得授權的廠商來保養電池。

在緊固配件可能接觸到隱藏配線處執行操作時，握住電動工具的絕緣抓握表面。緊固配件接觸到「通電」電線可能使電動工具暴露的金屬部位「通電」，可能導致操作人員觸電。

使用原廠的 Makita 電池充電器和電池。

- 使用原廠電池搭配本工具。
- 不可使用其他廠牌的電池充電器將電池充電。未遵照此指示可能造成破裂，導致發生意外或人員受傷。

使用正確方式將電池充電。

- 使用有額定值指示的電源連接本產品隨附的充電器。
- 不可使用直流電源或引擎驅動的發電機將電池充電。未遵照此指示可能產生過多熱量，這可能導致起火。
- 周遭環境、電池或充電器溫度低於 0° C 或超過 40° C 時，不可將電池充電。未遵照此指示可能導致破裂或起火。
- 將電池充電時，請選擇通風良好之處進行充電。
- 充電時，不可用布覆蓋電池。未遵照此指示可能導致破裂或起火。
- 充電後，務必拔下電源插頭。
未遵照此指示可能導致觸電或起火。

使用時，不可將電纜剪朝向有人的方向。

- 未遵照此指示可能導致人員受傷。

不可將電池的端子短路。

- 電池單獨存放時，務必蓋上端子蓋以避免短路。請確保螺絲、釘子等其他金屬物品不會使電池端子短路。

不可將電池靠近火焰。

- 未遵照此指示可能導致破裂或有害材料洩漏。

不可使用通電的零件。

- 工具未絕緣。在通電的位置上使用可能導致觸電。
- 不可用濕手碰觸電源插頭或電池。未遵照此指示可能導致觸電。

在以下情況中，從工具的機身卸下電池。

- 不使用或維修時
 - 更換備用零件時
 - 其他懷疑可能有危險的時候
- 未遵照這些警告指示可能導致工具意外啟動並造成人員受傷。

意外起動工具。

- 移動工具時，確保手指遠離扳機。工具意外啟動可能導致人員受傷。

僅限使用指定的配件。

- 不可使用非本使用手冊或我們的目錄指定的任何其他配件。未遵照此指示可能導致意外或人員受傷。

使用防護配備。

- 操作時請戴上護目鏡。如果操作時有很多灰塵，請戴上防塵面具。剪切時，小碎片可能四處散落並造成人員受傷。

不可直視 LED 工具燈。

- 否則可能使視力惡化。

考慮工作環境是否良好。

- 不可在雨中或潮濕的位置使用工具、充電器或電池。未遵照此指示可能導致觸電或冒煙。
- 在照明良好的地方進行工作。在黑暗處工作可能導致意外。
- 不可在有易燃液體或氣體處使用電池或將電池充電。未遵照此指示可能導致爆炸或起火。

時時保持工作場所的清潔。

- 雜亂的地方和工作台可能導致意外。

保持工具遠離兒童。

- 不可讓操作員以外的人員接觸到工具和充電器的電線。保持非工作人員遠離工作場所。未遵照此指示可能導致人員受傷。

不使用工具時，請將其妥善存放。

- 將工具存放在乾燥處，以及兒童無法取得的高處或可以上鎖處。未遵照此指示可能導致意外。
- 不可將工具或電池存放在溫度可能超過 40° C 或以上之處（金屬盒內、夏季的汽車內等）。未遵照此指示可能造成電池劣化，導致冒煙或燃燒。

不可以不合理的方式使用工具。

- 依工具的能力進行操作可以達成安全和有效率的操作。使用非能力範圍內的工具可能造成意外。
- 不可以可能導致馬達遭到鎖定的不合理方式使用工具。未遵照此指示可能導致冒煙或起火。

使用適合的工具。

- 請將工具使用在指定的運用。未遵照此指示可能導致人員受傷。

操作時穿著適當的衣服。

- 不可穿戴寬鬆的衣服或配件，例如項鍊。此類物品可能在可移動零件、旋轉零件或類似物品中卡住。
- 在室外操作時，建議戴上橡膠手套或穿上防滑鞋。滑動的手套和鞋子可能導致人員受傷。
- 如果您留長髮，請用帽子或髮套蓋住您的頭髮。未遵照此指示可能導致您的頭髮在可移動零件、旋轉零件或類似物品中卡住。

不可以不自然的姿勢操作工具。

- 隨時保持適當的站姿，並保持您的平衡。未遵照此指示可能造成您跌倒，這可能導致人員受傷。

當您以極高注意力工作時，保持警覺。

- 使用工具時，小心處理方法、操作方式和周遭環境，並且小心進行操作。未遵照此指示可能導致意外或受傷。
- 酒後不可操作工具。未遵照此指示可能導致意外或受傷。
- 身體狀況不佳時不可操作工具。未遵照此指示可能導致意外或受傷。

不可以粗暴的方式處理充電器的電線。

- 不可用握住電線的方式攜帶充電器，或用拉扯電線的方式從插座上拔下充電器。
- 保持電線遠離熱、油和銳利邊緣。
- 確定充電環境不會有踩踏或電線絆倒人的情況。未遵照此指示可能造成觸電或短路，這可能引起燃燒。

使用符合室外規格的延長線。

- 如果在室外使用工具，請使用耐用的橡膠皮纜線製成的延長線。

請小心維護工具。

- 更換備用零件時，請遵照使用手冊的指示。未遵照此指示可能導致人員受傷。
- 請定期檢查充電器的電線。如果電線損壞，請交由獲得授權的服務商修復。未遵照此指示可能造成觸電或短路，這可能引起燃燒。
- 如果延長線已用過，請定期檢查其電線。如果電線損壞，請換上新的電線。未遵照此指示可能造成觸電或短路，這可能引起燃燒。
- 時時保持握把的乾燥和清潔且沒有油脂。未遵照此指示可能導致人員受傷。

檢查損壞的零件。

- 使用前請檢查是否有任何損壞。確認工具正常操作，而且所有組件正常作用。
- 檢查可移動零件是否對準、可移動零件的運轉是否順暢、零件是否破損、安裝與任何可能影響其操作的其他情況。
- 不可使用電源插頭或電線損壞、掉落後損壞的充電器。未遵照此指示可能造成觸電或短路，這可能引起燃燒。
如果損壞，除依本使用手冊的指示外，應交由獲得授權的服務商修復或更換零件。請交由獲得授權的服務商更換有瑕疵的開關。如果開關無法控制電動工具的電源開啟或關閉，不可使用電動工具。此類工具的運轉可能異常並導致人員受傷。

請交由獲得授權的服務商進行修復。

- 不可自行拆解、修復或改裝主機、充電器或電池。未遵照此指示可能造成燃燒或運轉異常，這可能導致人員受傷。
- 如果工具變燙或發現工具內有異常，應要求檢查或修復工具。
- 本工具依照相關安全規定製造。不可嘗試或改裝本產品。

- 將您的工具交由獲得授權的服務中心修復。僅限由使用原廠備用零件的合格人員進行修復，否則可能對使用者造成相當大的危害。

使用充電式電纜剪的預防事項

- 使用本工具時，請遵照以下所示的指示：

工具的預防事項

- 不可剪切超過最大剪切能力的任何物品。
請小心使用，未遵照此指示可能導致損壞。(請參閱第 276 頁)
- 不可碰觸可移動或固定刀片的切割邊緣。
未遵照此指示可能導致人員受傷。
- 切勿剪切通電的電線（正在導電的電纜線）。
- 不可掉落工具或讓其受到過大力量的撞擊。
本工具的內部結構製造精密，因此機型相當小巧，如果受到撞擊可能無法正常發揮功能。
- 不可在雨中使用。
否則可能導致刀片生鏽和切割邊緣變鈍，或導致工具損壞。
- 不可剪切超過或不足 50 mm 的長度。
剪切超過 CCP 端的長度和其他極短的纜線可能剪到纜線等物品的內部。
- 不可朝剪切方向施力。
請務必筆直剪切材料。未遵照此指示可能導致電纜剪刀片損壞。
- 牢牢握住。
未遵照此指示可能導致人員受傷。
- 在高處使用時，請確定您的下方沒有人。
未遵照此指示可能導致意外、材料或裝置掉落等。
- 使用前請檢查是否有任何異常。
電纜剪上的裂痕或斷裂可能損壞電纜剪並導致人員受傷。
- 使用時請休息。
長時間剪切而不休息可能導致馬達溫度變高，可能使馬達或電池過熱以導致損壞。
使用時請不定期休息。
- 低環境溫度（10° C 或以下）可能造成電線硬化，導致難以剪切，甚至是在剪切能力範圍內時。
- 每次使用後，請用空氣清潔。
小心不要讓切片或碎片從開口（可移動刀片驅動器）進入工具內。
- 不可剪切有直徑 1 mm 的電線的電纜線。
未遵照此指示可能導致電纜剪刀片在電纜線刀片中卡住和鎖定。

使用電池的預防事項

- 不可將端子短路。
- 將電池放在遠離水、油和有機溶劑的位置。
- 不可拆解或改裝電池。
- 如果要棄置電池，不可將其丟入火焰中或作為一般廢棄物處置。(我們建議回收。)
- 不可投擲或掉落電池。
- 不可將電池長時間放置在溫度高達 40° C 或以上的地方。
- 不要讓端子的污垢或灰塵造成電池短路，否則會導致故障。如果端子腐蝕，不可使用電池。
- 電池配備停止輸出的保護功能以延長壽命。剩餘電量低時，即使在使用本工具期間按下操作開關，馬達也可能會停止。但此現象並不是故障所造成，而是保護功能所導致。在此類情況中，請立刻將電池充電。

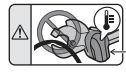
充電器的預防事項

- 此充電器有顯示電池充電狀態的指示燈（多種色彩的 LED 燈）。
- 不要讓污垢或灰塵進入插入槽中造成充電器短路，否則會導致故障。如果金屬端子腐蝕，不可使用充電器。

警告符號



使用工具前，請詳讀本手冊的指示。



為了保護馬達，在高溫警告區變熱時，不可使用本工具。(請參閱第 274 頁)

高溫警告區



操作時不可碰觸。

符號



僅用於歐盟國家
由於本設備中存有危險組件，廢棄電氣與電子設備、蓄電池與電池可能會對環境與人體健康產生負面影響。
請勿將電氣與電子器具或電池和家庭廢棄物一同處理！
根據針對廢棄電氣與電子設備、蓄電池與電池及廢棄蓄電池與電池制訂的歐洲指令及其對本國法律的修改版，應依照環境保護法規個別存放廢棄電氣設備、電池與蓄電池，並將其送至都市垃圾獨立回收點。這類設備會在設備上以打叉的滑輪垃圾桶作為符號標示。

噪音

典型 A 加權噪音級別（根據 EN62841-1 測定）：

聲壓位準 (K=3 dB (A))：69.5 dB (A)

聲功率位準 (K=3 dB (A))：78.1 dB (A)

註：聲明的噪音值係根據標準測試方法測定，可用於相互比較工具。

註：聲明的噪音值亦可用於暴露的初步評估。

警告：請佩帶護耳罩。

警告：實際使用電動工具時的噪音值，可能因使用方法（尤其是處理的工件種類）而不同於聲明的噪音值。

警告：請務必基於預測的實際使用條件（考慮操作周期的所有方面，如工具關閉時間、怠速運行時間和啟動時間）採取安全措施保護操作人員。

振動

振動總值（三軸矢量和）（根據 EN62841-1 測定）：

握把：0.3 m/s²

不確定度 (K)：1.5 m/s²

註：聲明的總振動值係根據標準測試方法測定，可用於相互比較工具。

註：聲明的總振動值亦可用於暴露的初步評估。

警告：實際使用電動工具時的振動值，可能因使用方法（尤其是處理的工件種類）而不同於聲明的振動值。

警告：請務必基於預測的實際使用條件（考慮操作周期的所有方面，如工具關閉時間、怠速運行時間和啟動時間）採取安全措施保護操作人員。

適用的電池盒與充電器

電池盒	BL1815N / BL1820B / BL1830B / BL1840B / BL1850B / BL1860B
充電器	DC18RC / DC18RD / DC18RE / DC18SD / DC18SE / DC18SF / DC18SH / DC18WC

- 以上所列的有些電池盒與充電器是否可以視您的居住地區而定。
- 若要將電池充電，請閱讀電池充電器的說明手冊。

▲警告：僅限使用以上所列的電池盒和充電器。使用任何其他電池盒與充電器可能造成人員受傷和/或起火。

電池盒的重要安全說明

1. 使用電池盒前，請詳閱與 (1) 電池充電器、(2) 電池和 (3) 使用電池的產品有關的所有說明和警告標章。
2. 不可拆解或改裝電池盒。否則可能導致起火、過熱或爆炸。
3. 如果電池使用時間變很短，立刻停止操作。否則可能導致過熱、燙傷、甚至爆炸。
4. 如果電池液沾到眼睛，立刻使用清水沖洗並送醫。否則可能導致眼睛失明。
5. 不可將電池盒短路：
 - (1) 不可用任何導電材質觸碰端子。
 - (2) 避免將電池盒存放在有釘子、硬幣等其他金屬物體的容器中。
 - (3) 不可將電池盒暴露在水中或雨水中。電池短路可導致產生大量電流、過熱、燙傷、甚至故障。
6. 不可在溫度可能達到或超過 50° C (122° F) 的位置存放和使用工具和電池盒。
7. 不可焚燒電池盒，即使已嚴重損壞或完全不能使用。電池盒在火中可能爆炸。
8. 不可用釘子釘、切割、擊碎、丟擲、掉落電池盒，或用硬物撞擊電池盒。否則可能導致起火、過熱或爆炸。
9. 不可使用損壞的電池。
10. 內含的鋰離子電池需符合《危險品條例》的規定。

關於第三方、貨運商等的商業運送，必須遵守與包裝和標示有關的特殊規定。有關運送物品的準備事項，必須洽詢有害物質的專家。另請參閱更詳細的國家法規。

用膠帶包住或遮蔽開放的接觸點，並以無法在包裝中移動的方式包裝電池。

11. 棄置電池盒時，從工具上將其卸下，然後棄置在安全位置。請遵守您當地與棄置電池有關的法規。
12. 使用電池僅搭配 Makita 指定的產品。將電池安裝在未遵規的產品可能導致起火、過熱、爆炸或電池液洩漏。
13. 如果長時間不使用電池，必須將電腦從工具上卸下。
14. 在使用期間和使用後，電池盒可能累積熱量，造成燙傷或低溫燙傷。請注意高溫電池盒的處理。
15. 不可在使用後立刻觸碰工具的端子，否則可能因為足夠高溫以致於造成燙傷。
16. 不可讓碎屑、灰塵或土壤卡在電池盒的端子、孔和溝槽中。否則可能造成工具或電池盒過熱、起火、破裂和故障，導致燙傷或人員受傷。
17. 若工具不支援在高壓電線的附近使用，不可在高壓電線的附近使用電池盒。否則可能導致工具或電池盒故障或破裂。
18. 將電池放在兒童無法取得處。

保存這些手冊。

▲注意：

- 僅限使用原廠的 Makita 電池。使用非原廠的 Makita 電池或經過改裝的電池可能導致電池破裂，造成起火、人員受傷和電池損壞。同時也會使 Makita 工具和充電器的 Makita 保固失效。

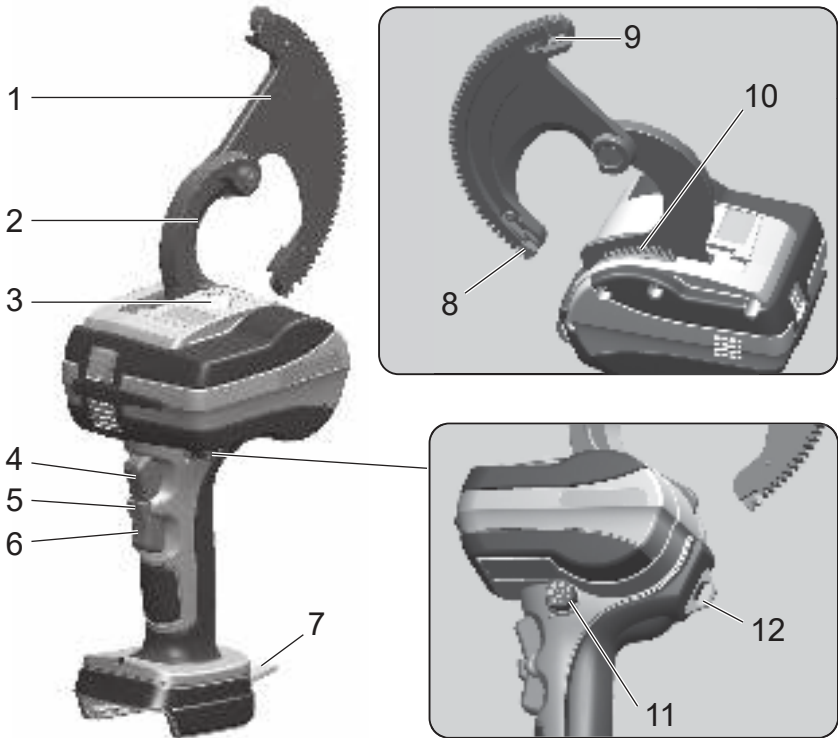
維持電池最長使用壽命的要訣

1. 在完全放電前將電池充電。當您注意到工具電量不足時，務必停止操作工具並將電池盒充電。
2. 切勿將充滿電的電池盒重新充電。過度充電會縮短電池的使用壽命。
3. 在 10° C - 40° C (50° F - 104° F) 的室溫下將電池盒充電。充電前，讓高溫的電池盒冷卻。
4. 不使用電池盒時，將其從工具或充電器上卸下。
5. 如果即將長時間不使用（超過六個月），請將電池盒充電。

名稱和配件

DTC100

充電式電纜剪



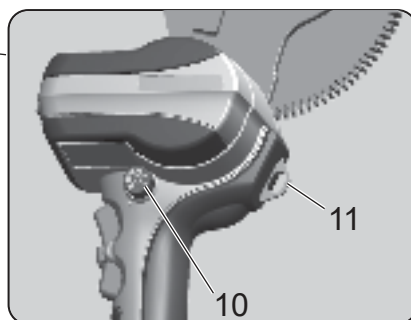
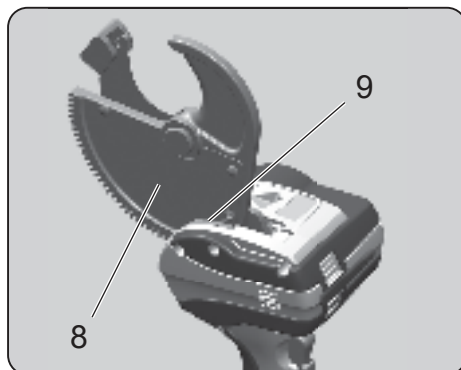
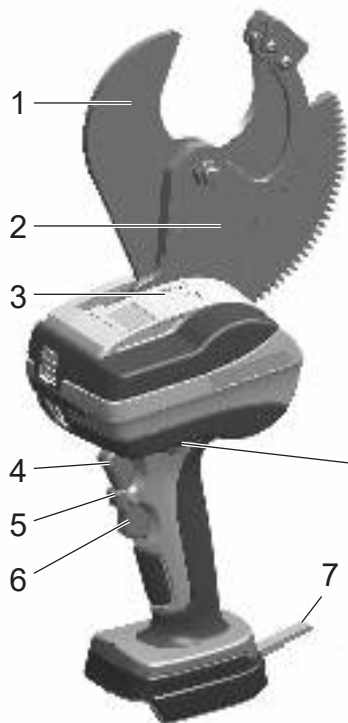
攜帶盒



* 本工具針對使用 Makita 18 V 鋰電池而設計。

1	可移動刀片	7	掛帶
2	固定刀片	8	齒輪導軌 (A)
3	LED 工作燈	9	齒輪導軌 (B)
4	正向模式開關	10	刷子 (用於除塵)
5	開關鎖	11	旋鈕
6	反向模式開關	12	掛環

充電式電纜剪



攜帶盒



* 本工具針對使用 Makita 18 V 鋰電池而設計。

1	可移動刀片	7	掛帶
2	固定刀片	8	可移動刀片板
3	LED 工作燈	9	刷子 (用於除塵)
4	正向模式開關	10	旋鈕
5	開關鎖	11	掛環
6	反向模式開關	—	—

電池

電池

- 購買時，因為電池未充滿電，因此電池保護功能可能已啟用。(請小心，因為如果您操作開關，本產品可能開始運作。)使用前，以快速充電器將電池正確充電。
- 不使用本產品時，請裝上電池蓋。這有助電池防水和防塵。
- 長時間不使用本產品時，請卸下電池存放。

延長電池的壽命

- 當您感受到工具的力量變弱時，請停止使用，然後將電池充電。
- 不可將已充滿電的電池充電。
- 僅在 10° C 到 40° C 的環境溫度範圍內將電池充電。
- 當電池變燙時 (例如使用後立即變燙)，建議將電池插入充電器中，等到冷卻後再將其充電。
- 長時間 (至少 6 個月) 不使用鋰電池時，建議將電池充電後再存放。

電池回收

- 回收電池供再生使用。請將電池帶到您購買本產品的商店或 Makita 銷售辦事處。



Li-ion

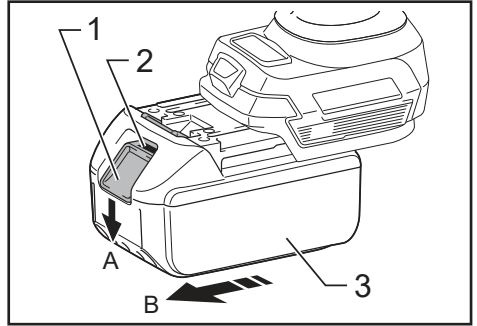
回收鋰離子電池

如何安裝和卸下電池

▲警告：

將電池正確插入產品中。如果可以看到按鈕頂端的紅色部位，表示電池未完全鎖入定位。牢牢插入電池，直到看不到所有紅色部位為止。

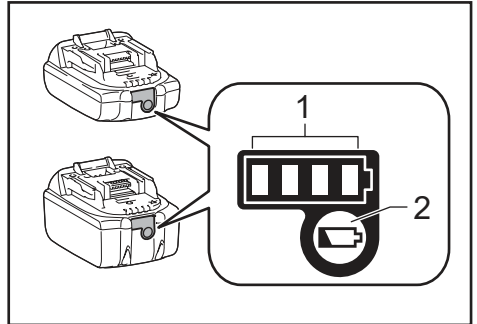
- 若未將電池插到底，電池可能會脫落並造成意外。
- 若要卸下本產品的電池，A. 請按下電池正面的按鈕，然後 B. 滑動電池後將其卸下。
- 安裝電池時，執行相反的程序，將電池對本產品的溝槽，然後將電池插到底部。如果此時可以看到按鈕頂端的紅色部位，表示電池未完全插入定位。將電池完全插到底部，直到看不到所有紅色部位為止。



▶ 1. 按鈕 2. 紅色部位 3. 電池

電池剩餘電量指示

僅適用於有指示燈的電池盒



▶ 1. 指示燈 2. 檢查按鈕

請按電池盒上的檢查按鈕以顯示電池的剩餘電量指示。指示燈亮起數秒鐘。

指示燈			剩餘電量
亮起	熄滅	閃爍	
■ ■ ■ ■	■ ■ ■ ■	▀	75% 到 100%
■ ■ ■ ■	■ ■ ■ ■	□	50% 到 75%
■ ■ ■ ■	■ ■ ■ ■	□ □	25% 到 50%
■ ■ ■ ■	■ ■ ■ ■	□ □ □	0% 到 25%
▀	□ □ □ □	□ □ □ □	將電池充電。
■ ■ ■ ■	■ ■ ■ ■	□ □ □ □	電池可能已經故障。
□ □ □ □	□ □ □ □	■ ■ ■ ■	

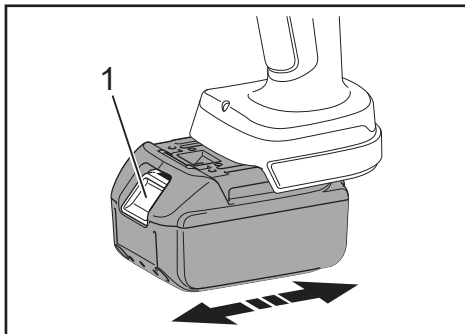
註：指示可能與實際容量不同，視使用條件和周遭環境溫度而定。

註：電池保護系統作用時，第一個（最左側）指示燈將會閃爍。

如何使用本工具

裝上電池

1. 按下鎖門後，拉出電池。若要更換電池，請將新電池牢牢推到定位。
2. 滑入電池後，輕拉電池以檢查是否牢牢固定在定位。拉動電池時，不可按下鎖門。

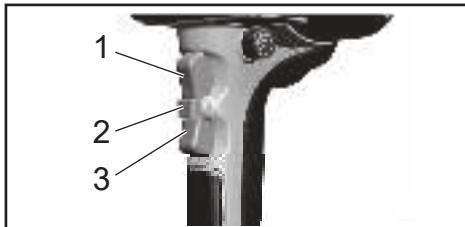


- 1. 鎖門

開關操作

為了安全起見，本工具有一個兩段式開關系統。

若要啟用正向模式（剪切）和反向模式（反向）開關，請先按下開關鎖，然後按正向/反向模式開關。



- 1. 正向模式開關 2. 開關鎖
3. 反向模式開關

工作輔助 LED 燈

本工具有照亮電纜剪刀片周邊的 LED 燈。此燈無論在開啟正向或反向開關都會亮起，然後在放開開關後約 10 秒熄滅。

▲注意：

- 不可直視 LED 燈。長時間看著 LED 燈可能會損害您的眼睛。

電池電量不足警告

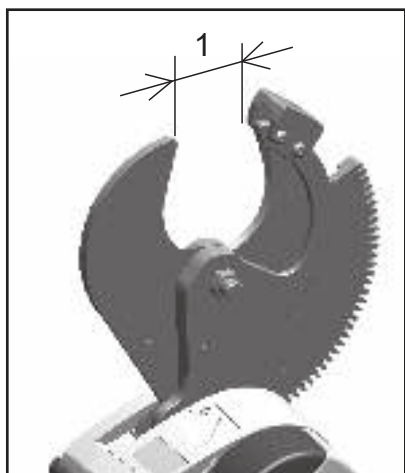
如果電池的剩餘電量不足，當正向模式開關開啟時，LED 燈會閃爍 5 次作為警報。將電池充電或更換備用零件。

剪切操作

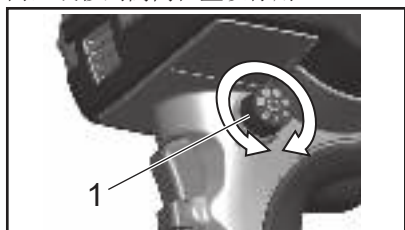
1. [DTC100]
啟動開關以打開可移動刀片。
使用正向和反向模式開關將可移動刀片設定為空檔。



1. [DTC101]
確定開口夠大。
確定開口大到足以容納纜線。如果開口太窄，請按下反向模式開關將其打開。



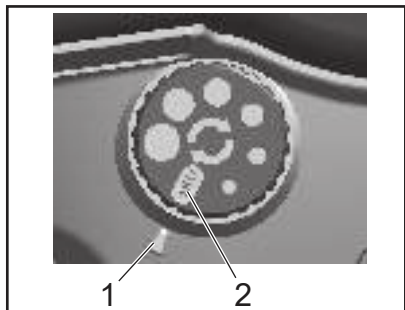
- ▶ 1. 開口
2. 使用旋鈕以啟用或停用自動反向
將旋鈕移到想要的位置時，啟用自動反向，或移到關閉位置以停用。



- ▶ 1. 旋鈕

自動反向功能

自動反向啟用時，剪切纜線後馬達煞停。一放開正向模式開關時，透過旋鈕設定讓可移動刀片自動回復。
開口的調整有 6 段。(開口量是導軌。)

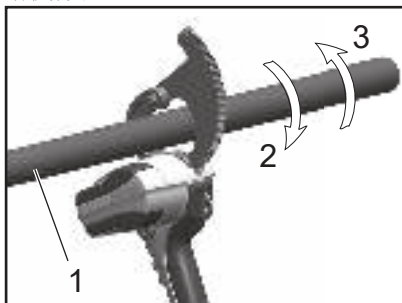


- ▶ 1. 開口量 2. 關閉

▲注意：

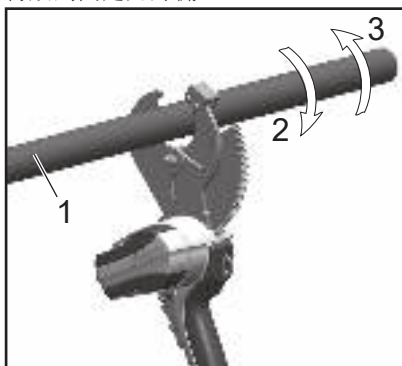
- 如果在完成剪切前放開正向模式開關，自動反向不會啟動。
- 剪切 60 mm² 或更少的細電纜線不會啟動自動反向。
- 開口直徑因剩餘電池電量而異。

3. [DTC100]
將電纜線插入可移動刀片開口中
將要剪切的纜線放在固定刀片上，然後關閉纜線周圍的可移動刀片。用手送入可移動刀片，使齒輪的輪齒與工具的驅動機件啮合。



- ▶ 1. 纜線 2. 剪切旋轉
3. 反向旋轉

3. [DTC101]
將電纜線插入可移動刀片開口中
將要剪切的纜線放入刀片開口中，然後再放到固定刀片側上。



- ▶ 1. 纜線 2. 剪切旋轉
3. 反向旋轉

4. 操作正向模式開關，然後剪切電纜線
按住正向模式開關，直到完成剪切為止。
5. 剪切後去除殘屑
完成剪切後，去除刀片上的碎片和殘屑。

▲注意：

• **延長操作時間**

為了保護馬達，在注意標籤周圍的區域變燙時，停止使用工具。若要繼續使用工具，請將工具放在涼快和通風良好的地方 50 分鐘，直到工具冷卻。

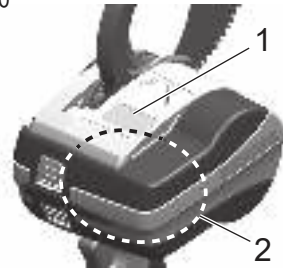
• **即使在剪切能力內操作工具，過電流/過載保護也可能會啟動。**

操作溫度、纜線長度和彎曲與其他因素都會影響工具的性能。

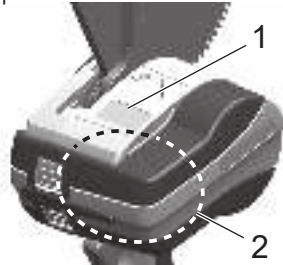
• **如果 LED 燈亮 6 次或以上，表示電路板發生錯誤。**

請聯絡您的經銷商。

DTC100



DTC101



- 1. 注意標籤 2. 高溫警告區

▲注意：

- DTC100 和 DTC101 僅適用於銅線和鋁線。不可將這些工具使用在鋼、ACSR 或其他鋼材上。

過電流保護功能

如果因為剪切纜線超過規格而使用過載電流，則過電流保護功能會啟用並停止馬達。若要回復，請放開正向模式開關。

換上備用零件 (DTC100)

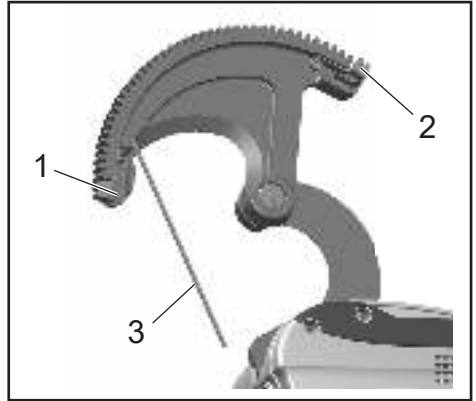
若要自行更換齒輪導軌，請遵照以下的程序執行。

▲注意：

- 更換齒輪導軌前，確定從主機上卸下電池。
- 如果齒輪導軌損壞或產生噪音，請立刻更換。持續使用齒輪導軌損壞的產品可能造成內部齒輪損壞。

更換齒輪導軌

1. 卸下齒輪導軌
使用六角扳手鬆開有六角形孔 (M3 × 3) 的螺栓，然後卸下齒輪導軌。
2. 安裝齒輪導軌
安裝新齒輪導軌，然後牢牢鎖緊螺栓。



- 1. 齒輪導軌 (A) 2. 齒輪導軌 (B)
3. 六角扳手

換上備用零件 (DTC101)

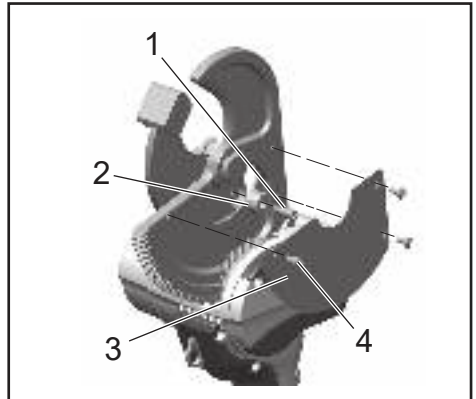
若要自行更換止擋，請遵照以下的程序執行。

▲注意：

- 更換止擋前，確定從主機上卸下電池。

更換止擋

1. 卸下圓頭十字螺絲、板片和凸肩螺栓 (37)，然後取下止擋。
2. 使用凸肩螺栓裝上新止擋，將螺絲鎖定黏膠塗在螺絲上，然後完全鎖緊。
3. 裝上板片，然後鎖緊圓頭十字螺絲。

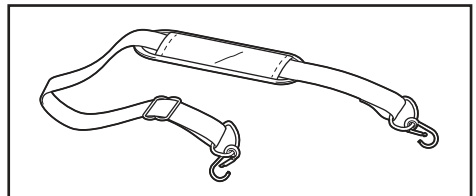


- 1. 凸肩螺栓 (37) 2. 止擋 3. 板片
4. 圓頭十字螺絲

選用配件

• 肩帶 (161347-8)

此肩帶用於連接本工具的掛帶。



維護 / 檢查

- 請注意，疏忽日常維護/檢查可能導致工具故障。
- 請避免將工具存放在潮濕的環境中，以確保工具的運轉順暢並防止生鏽。
- 如果工具在正常使用期間（10,000 次或以上的操作，1,000 次或以上的剪切）損壞，在僅更換損壞的零件後，不要恢復操作，因為已到達使用壽命的終點。
- 樹脂部位變髒時，請用沾有肥皂水的軟布將其擦乾淨。
- 電池單獨存放時，務必蓋上配件端子蓋以避免短路。
- 若要做安全檢查，建議每兩年將工具交給製造商一次（會產生費用）。如需詳細資料，請聯絡您的經銷商。

規格

充電式電纜剪	DTC100	DTC101
最大可剪切直徑	僅限使用非鐵材料（鋁或銅）	
	Φ 50 mm（銅線 Φ 30 mm / 鋁線 Φ 38 mm）	
電動馬達	直流馬達	
尺寸	117（深）× 320（高）× 197（寬）（mm）	117（深）× 380（高）× 189（寬）（mm）
重量	2.2 kg	2.9 kg

▲注意：

- DTC100 和 DTC101 僅適用於銅線和鋁線。不可將這些工具使用在鋼、ACSR 或其他鋼材上。

符合性聲明

僅適用於歐洲國家

符合性聲明包含在本使用手冊的附錄A中。

台灣RoHS限用物質含有量標示
請掃描右方QR Code或參考下列網址；
<https://makita.com.tw/rohs/>



生產製造商名稱：Makita Corporation

進口商名稱：台灣牧田股份有限公司

電話：02-8601-9898

傳真機：02-8601-2266

地址：新北市 24459 林口區文化三路二段 798 號

Makita Europe N.V.

Jan-Baptist Vinkstraat 2, 3070 Kortenberg, Belgium

Makita Corporation

3-11-8, Sumiyoshi-cho, Anjo, Aichi 446-8502 Japan

www.makita.com



219338030-02